



SYAM

'WHEN ONLY THE BEST WILL DO'

ITEM SYAM 350 E/CONTROL LPG/NG
SS304 FIREPIT

MODEL 13SS90HWI/13SS90HWING

STYLE STAINLESS FIRE RING BURNER,
PAN AND VALVE BOX WITH LOW
VOLTAGE HOT WIRE IGNITION
AND ELECTRONIC GAS CONTROL
VALVE SYSTEM

DESIGN

DIMENSIONS (DIAXHEIGHT) 400x320mm

NUMBER OF RINGS 1

FIRE RING MATERIAL 304 STAINLESS

FIRE PAN & VALVE BOX MATERIAL 304 STAINLESS

WEIGHT 10.5 kg

STRUCTURE WELDED / FULLY ASSEMBLED

SUPPLY PRESSURE 2.8 kPa (LPG) 2.0 kPa (NG)

DETAIL

GAS CONSUMPTION & FUEL TYPE (SEE*1) LPG = 1.90 kg/h / *NG = 94.96 MJ/h

HEATING AREA SMALL OUTDOOR AREA

IGNITION SYSTEM (SEE*2) HWI - HOT WIRE IGNITION

TYPE OF BURNER RING BURNER

*1 THE CONNECTION TO A LPG / NG GAS INSTALLATION MUST BE DONE BY A SAQCC REGISTERED GAS PRACTITIONER IN ACCORDANCE WITH SANS 10087-1 FOR LPG AND SANS 827 FOR NG AND THE OPERATORS MANUAL

*NG REQUIRES A NATURAL GAS CONVERSION KIT - PLEASE ADVISE WHEN PURCHASING

*2 24v REVOLUTIONARY ELECTRONIC CONTROL MODULE WITH RELIABLE HOT WIRE IGNITION

FEATURES

ALL WEATHER - HEAVY GAUGE STAINLESS WITH WATER DRAINAGE

BURNER HOLES - ACCURATELY DRILLED STAGERED HOLES FOR CONSISTANT FLAME APPEARANCE

FLAME CONTROL - ADJUSTABLE FOR FLAME HEIGHT AND INTENSITY ON CONTROL VALVE

EASY FLAME START UP & EXTINGUISHING - BY SWITHING ON / OFF

INSTALLATION - EASY DROP IN DESIGN

TRANSFORMER - 24v AC SUPPLIED WITH

FIRE PIT VINYL COVER - SUPPLIED WITH FPC - 35

NOTE-

OUTDOOR ONLY
ONLY USE SYAM VOLCANIC ROCK OR FIREGLASS WITH THIS FIREPIT (SOLD SEPERATELY)
INSTALL WITH A SHUT OFF VALVE WHICH IS EASILY ACCESSIBLE NEAR THE FIREPIT SO THAT THE GAS SUPPLY CAN BE SHUT OFF AFTER USE

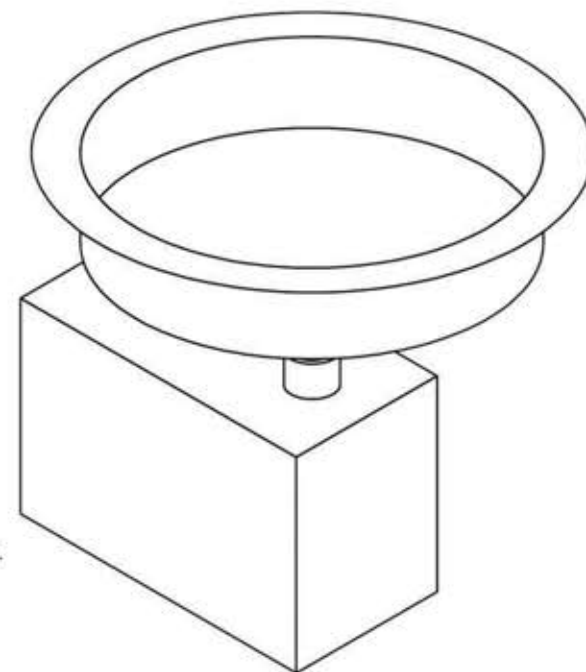
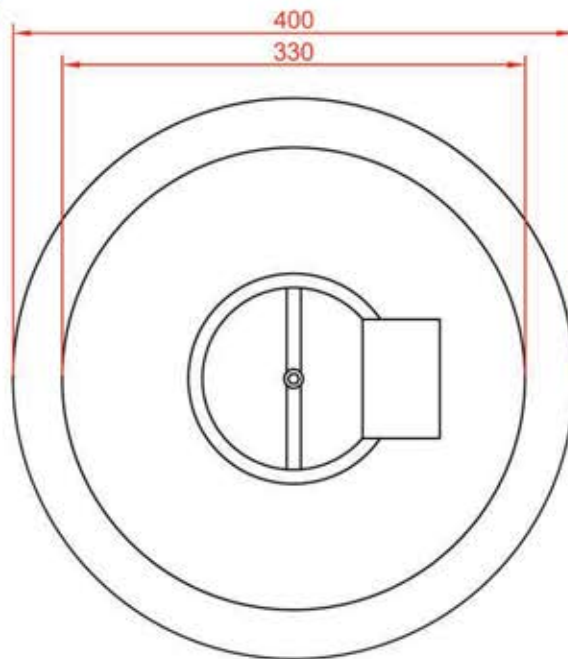
PACKAGING

1 BOX 11.8 kg (LxWxH) - 480x480x360mm M³ - 0.08

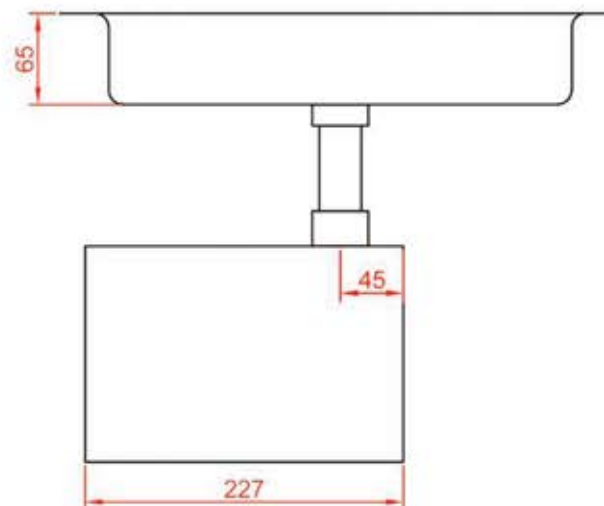
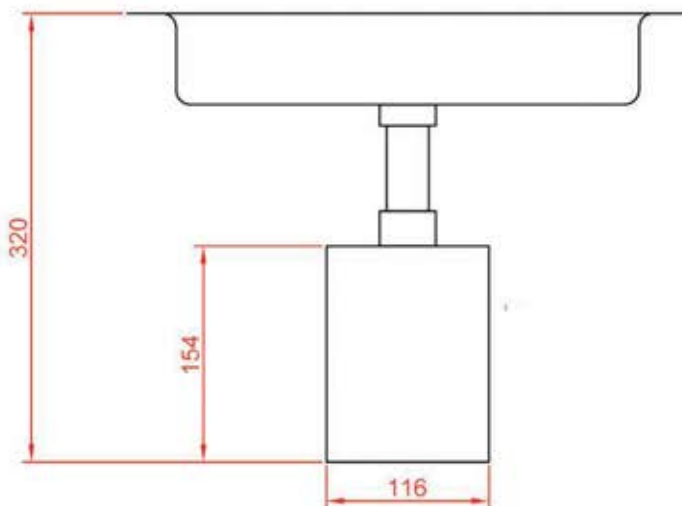


REV 2.1





STANDARD
BOWL TYPE PIT.



GAS CONSUMPTION
LPG= 1,90kg/h
NG= 94,96MJ/h

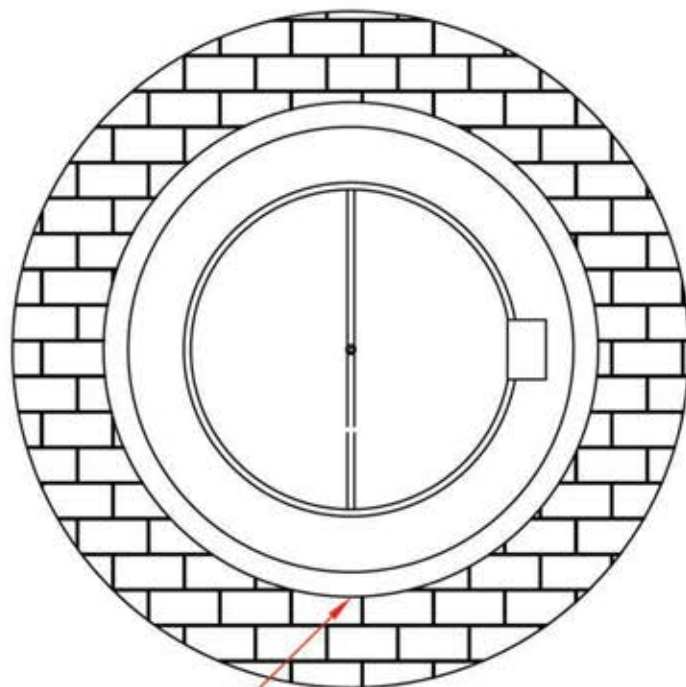
PAN, BURNER AND VALVE
BOX ARE ALL 304
STAINLESS STEEL.



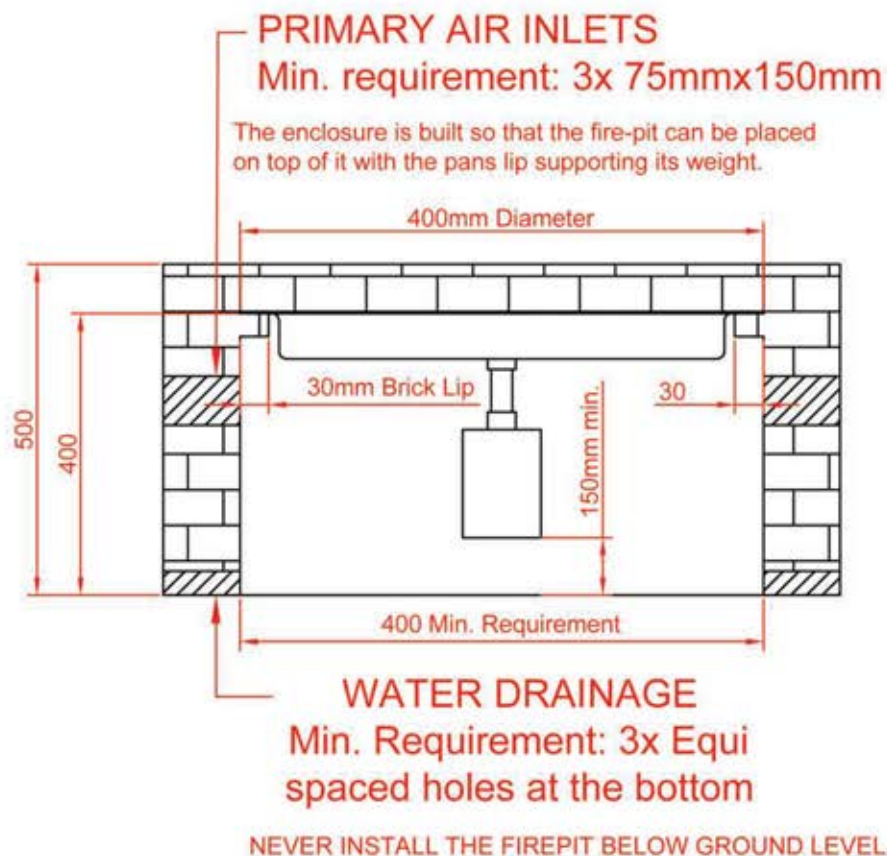
STAINLESS STEEL

PRODUCT DIMENSIONS (mm)





The firepit must be supported by the pan and not the control box



FOR OUTDOOR USE ONLY
BUILT IN PLAN

