



**ITEM** SYAM 550 E/CONTROL LPG/NG  
SS304 FIREPIT

**MODEL** 19SS150HWI/19SS150HWING

**STYLE** STAINLESS FIRE RING BURNER,  
PAN AND VALVE BOX WITH LOW  
VOLTAGE HOT WIRE IGNITION  
AND ELECTRONIC GAS CONTROL  
VALVE SYSTEM

**DESIGN**

**DIMENSIONS (DIAXHEIGHT)** 552x320mm

**NUMBER OF RINGS** 1

**FIRE RING MATERIAL** 304 STAINLESS

**FIRE PAN & VALVE BOX MATERIAL** 304 STAINLESS

**WEIGHT** 12.3 kg

**STRUCTURE** WELDED / FULLY ASSEMBLED

**SUPPLY PRESSURE** 2.8 kPa (LPG) 2.0 kPa (NG)

**DETAIL**

**GAS CONSUMPTION & FUEL TYPE (SEE\*1)** LPG = 3.18 kg/h / \*NG = 158.25 MJ/h

**HEATING AREA** MEDIUM OUTDOOR AREA

**IGNITION SYSTEM (SEE\*2)** HWI - HOT WIRE IGNITION

**TYPE OF BURNER** RING BURNER

\*1 THE CONNECTION TO A LPG / NG GAS INSTALLATION MUST BE DONE BY A SAQCC REGISTERED GAS PRACTITIONER IN ACCORDANCE WITH SANS 10087-1 FOR LPG AND SANS 827 FOR NG AND THE OPERATORS MANUAL

\*NG REQUIRES A NATURAL GAS CONVERSION KIT - PLEASE ADVISE WHEN PURCHASING

\*2 24v REVOLUTIONARY ELECTRONIC CONTROL MODULE WITH RELIABLE HOT WIRE IGNITION

**FEATURES**

**ALL WEATHER** - HEAVY GAUGE STAINLESS WITH WATER DRAINAGE

**BURNER HOLES** - ACCURATELY DRILLED STAGERED HOLES FOR CONSISTANT FLAME APPEARANCE

**FLAME CONTROL** - ADJUSTABLE FOR FLAME HEIGHT AND INTENSITY ON CONTROL VALVE

**EASY FLAME START UP & EXTINGUISHING** - BY SWITHING ON / OFF

**INSTALLATION** - EASY DROP IN DESIGN

**TRANSFORMER** - 24v AC SUPPLIED WITH

**FIRE PIT VINYL COVER** - SUPPLIED WITH FPC - 45

**NOTE-**

OUTDOOR ONLY  
ONLY USE SYAM VOLCANIC ROCK OR FIREGLASS WITH THIS FIREPIT (SOLD SEPERATELY)  
INSTALL WITH A SHUT OFF VALVE WHICH IS EASILY ACCESSIBLE NEAR THE FIREPIT SO THAT THE GAS SUPPLY CAN BE SHUT OFF AFTER USE

**PACKAGING**

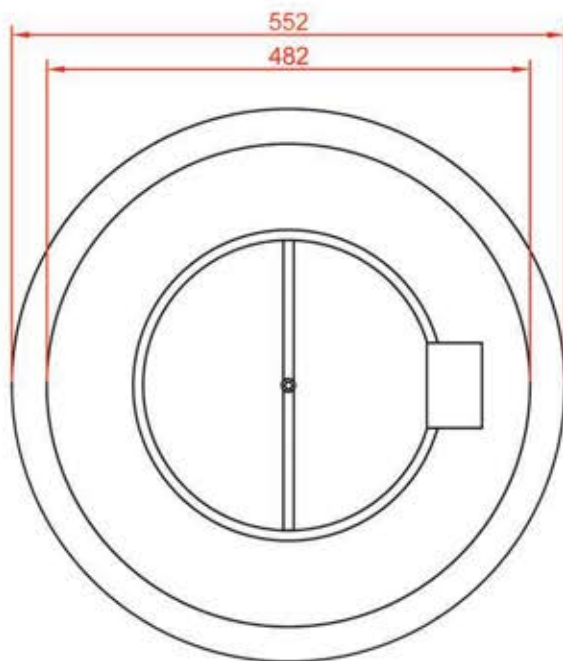
1 BOX 14.1 kg (LxWxH) - 640x640x480mm M<sup>3</sup> - 0.20



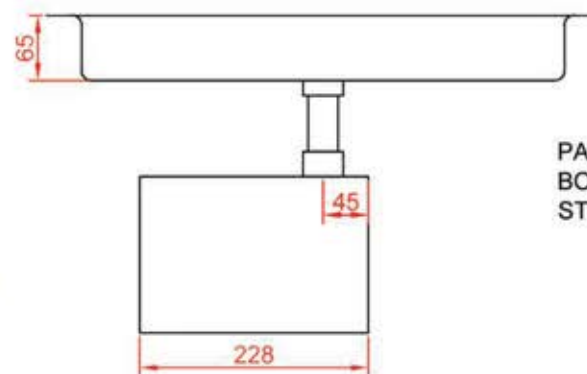
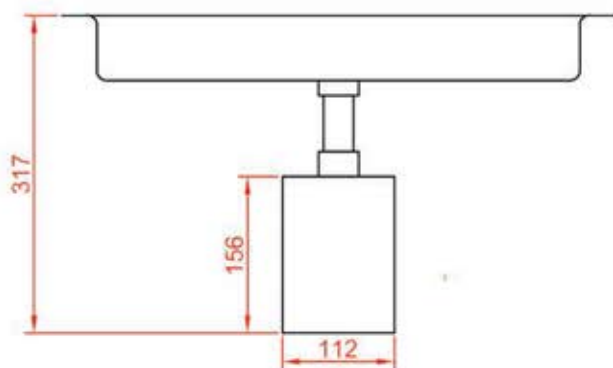
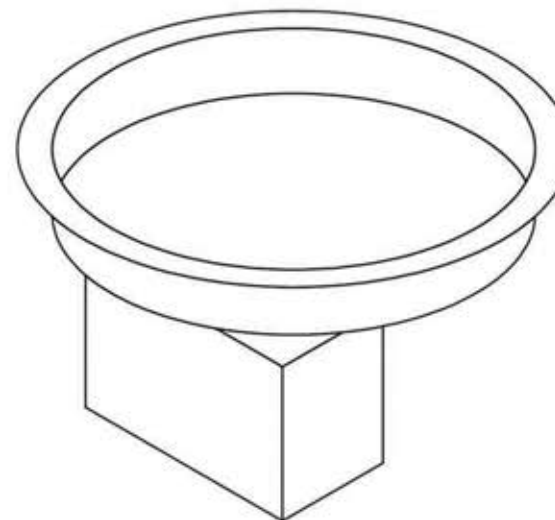
REV 2.1



STAINLESS STEEL



STANDARD  
BOWL TYPE PIT.



GAS CONSUMPTION  
LPG= 3,18kg/h  
NG= 158,28MJ/h

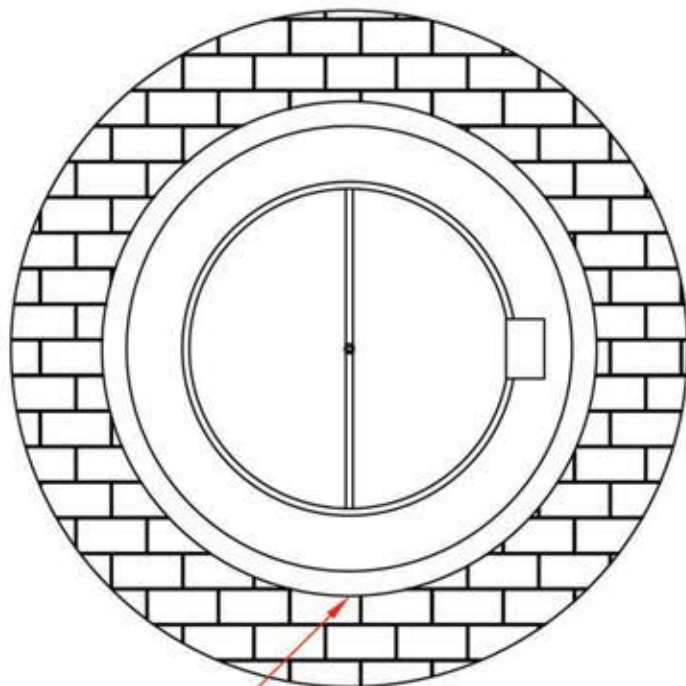
PAN, BURNER AND VALVE  
BOX ARE ALL 304  
STAINLESS STEEL.



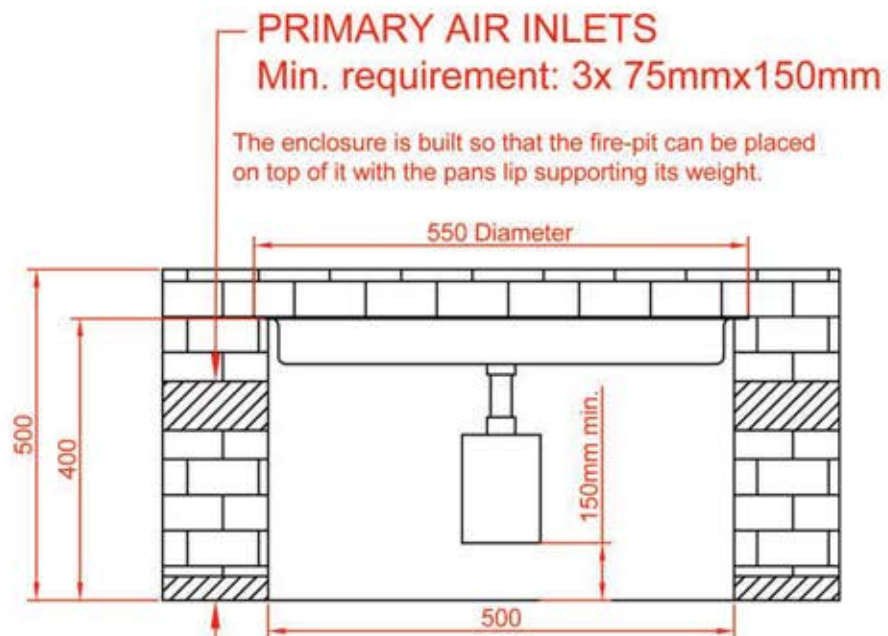
STAINLESS STEEL

PRODUCT DIMENSIONS (mm)





The firepit must be supported by the pan and not the control box



**WATER DRAINAGE**  
Min. Requirement: 3x Equi spaced holes at the bottom

NEVER INSTALL THE FIREPIT BELOW GROUND LEVEL.



STAINLESS STEEL

**FOR OUTDOOR USE ONLY**  
**BUILT IN PLAN**

