



# SYAM

'WHEN ONLY THE BEST WILL DO'

**ITEM** SYAM 750 E/CONTROL LPG/NG  
SS304 FIREPIT

**MODEL** 25S300HWI/25S300HWING

**STYLE** STAINLESS FIRE RING BURNER,  
PAN AND VALVE BOX WITH LOW  
VOLTAGE HOT WIRE IGNITION  
AND ELECTRONIC GAS CONTROL  
VALVE SYSTEM

## DESIGN

**DIMENSIONS (DIAXHEIGHT)** 705x320mm

**NUMBER OF RINGS** 2

**FIRE RING MATERIAL** 304 STAINLESS

**FIRE PAN & VALVE BOX MATERIAL** 304 STAINLESS

**WEIGHT** 13.2 kg

**STRUCTURE** WELDED / FULLY ASSEMBLED

**SUPPLY PRESSURE** 2.8 kPa (LPG) 2.0 kPa (NG)

## DETAIL

**GAS CONSUMPTION & FUEL TYPE (SEE\*1)** LPG = 6.35 kg/h / \*NG = 316.52 MJ/h

**HEATING AREA** MEDIUM OUTDOOR AREA

**IGNITION SYSTEM (SEE\*2)** HWI - HOT WIRE IGNITION

**TYPE OF BURNER** RING BURNER

\*1 THE CONNECTION TO A LPG / NG GAS INSTALLATION MUST BE DONE BY A SAQCC REGISTERED GAS PRACTITIONER IN ACCORDANCE WITH SANS 10087-1 FOR LPG AND SANS 827 FOR NG AND THE OPERATORS MANUAL

\*NG REQUIRES A NATURAL GAS CONVERSION KIT - PLEASE ADVISE WHEN PURCHASING

\*2 24v REVOLUTIONARY ELECTRONIC CONTROL MODULE WITH RELIABLE HOT WIRE IGNITION

## FEATURES

**ALL WEATHER** - HEAVY GAUGE STAINLESS WITH WATER DRAINAGE

**BURNER HOLES** - ACCURATELY DRILLED STAGERED HOLES FOR CONSISTANT FLAME APPEARANCE

**FLAME CONTROL** - ADJUSTABLE FOR FLAME HEIGHT AND INTENSITY ON CONTROL VALVE

**EASY FLAME START UP & EXTINGUISHING** - BY SWITHING ON / OFF

**INSTALLATION** - EASY DROP IN DESIGN

**TRANSFORMER** - 24v AC SUPPLIED WITH

**FIRE PIT VINYL COVER** - SUPPLIED WITH FPC - 45

## NOTE-

OUTDOOR ONLY  
ONLY USE SYAM VOLCANIC ROCK OR FIREGLASS WITH THIS FIREPIT (SOLD SEPERATELY)  
INSTALL WITH A SHUT OFF VALVE WHICH IS EASILY ACCESSIBLE NEAR THE FIREPIT SO THAT THE GAS SUPPLY CAN BE SHUT OFF AFTER USE

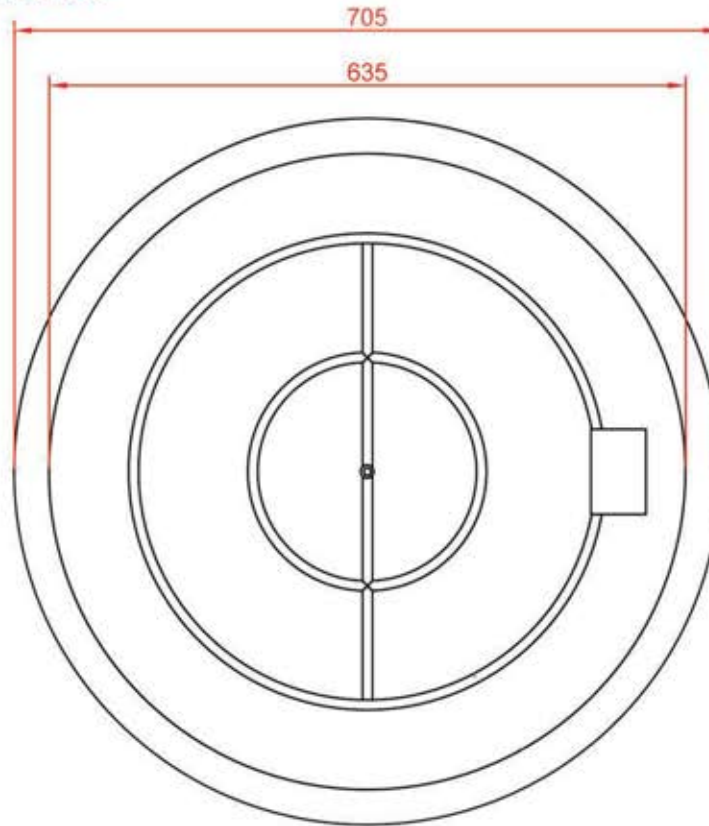
## PACKAGING

1 BOX 15.4 kg (LxWxH) - 790x790x480mm M<sup>3</sup> - 0.30

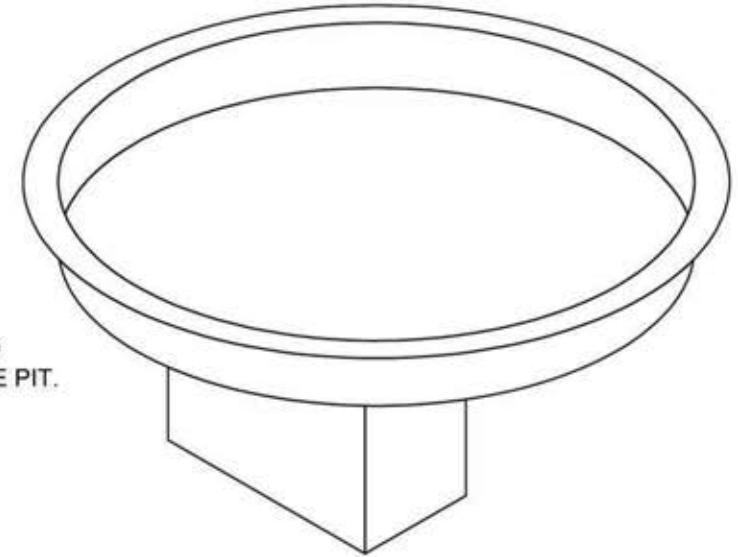


REV 2.1

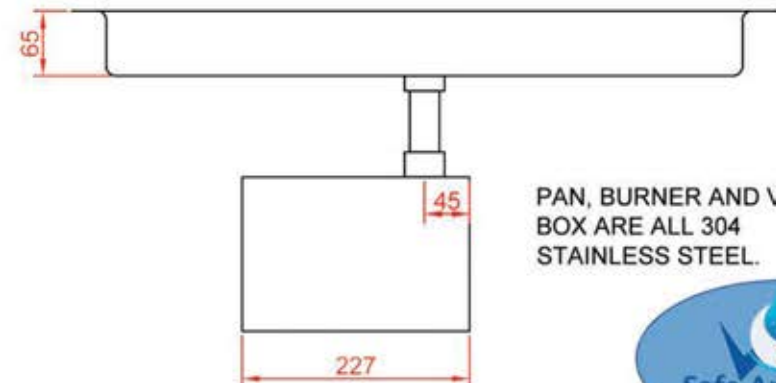
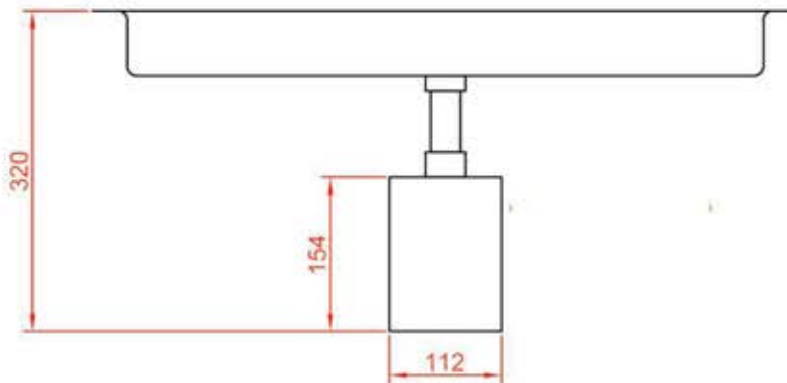




STANDARD  
BOWL TYPE PIT.



GAS CONSUMPTION  
LPG= 6,35kg/h  
NG= 316.52MJ/h



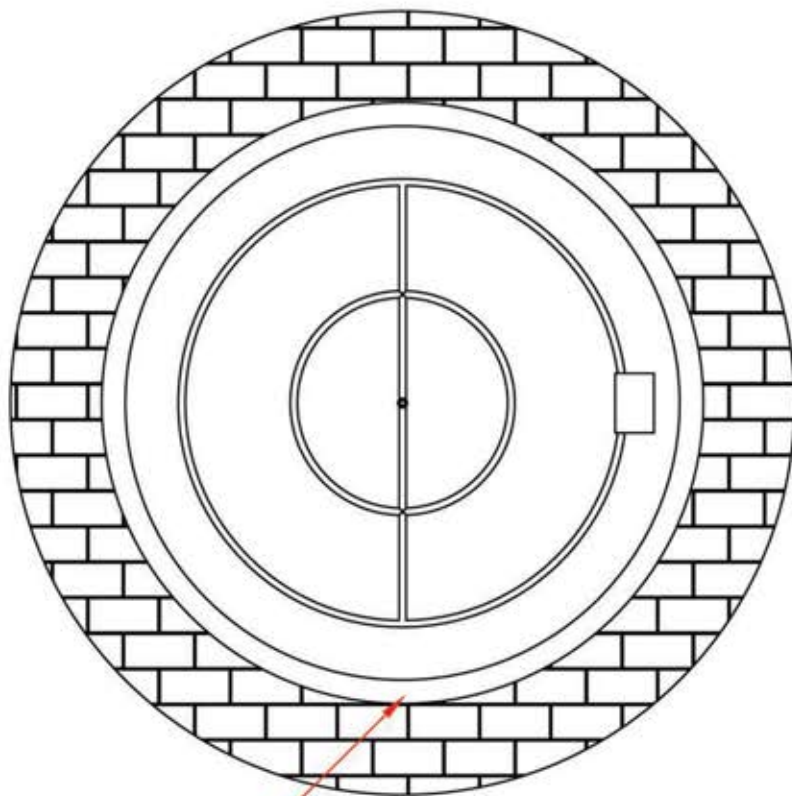
PAN, BURNER AND VALVE  
BOX ARE ALL 304  
STAINLESS STEEL.



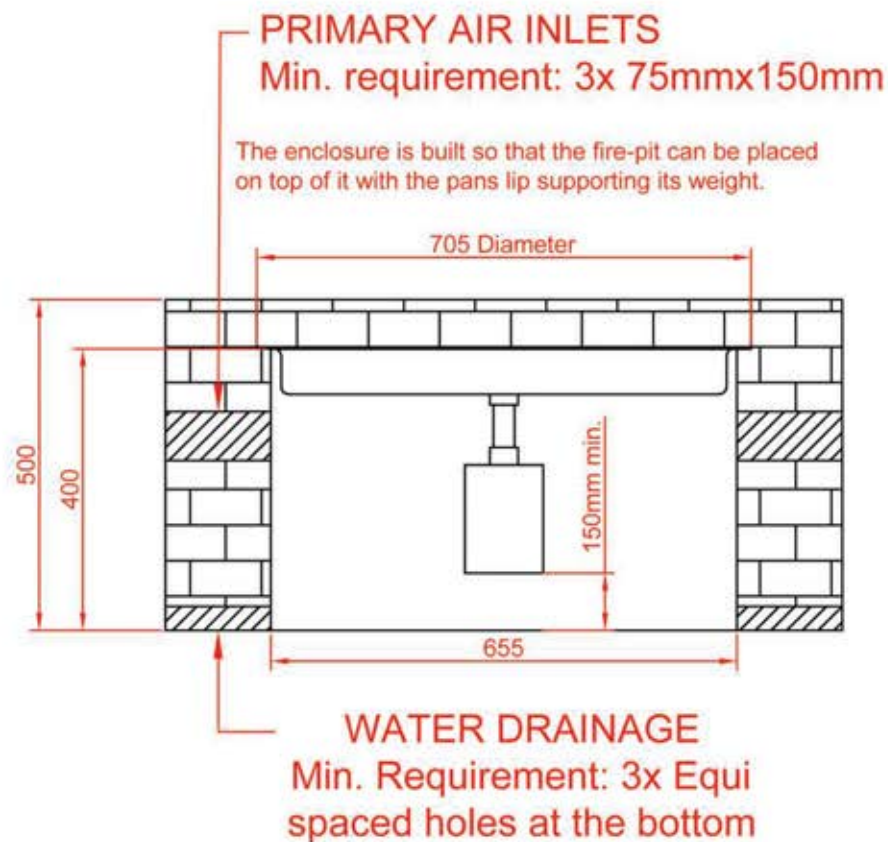
STAINLESS STEEL

PRODUCT DIMENSIONS (mm)





The firepit must be supported by the pan and not the control box



NEVER INSTALL THE FIREPIT BELOW GROUND LEVEL.



STAINLESS STEEL

**FOR OUTDOOR USE ONLY**  
**BUILT IN PLAN**

