



'WHEN ONLY THE BEST WILL DO'

ITEM SYAM 1050 E/CONTROL LPG/NG
SS304 FIREPIT

MODEL 37SS300HWI/37SS300HWING

STYLE STAINLESS FIRE RING BURNER,
PAN AND VALVE BOX WITH LOW
VOLTAGE HOT WIRE IGNITION
AND ELECTRONIC GAS CONTROL
VALVE SYSTEM

DESIGN

DIMENSIONS (DIAXHEIGHT)	1010x320mm
NUMBER OF RINGS	3
FIRE RING MATERIAL	304 STAINLESS
FIRE PAN & VALVE BOX MATERIAL	304 STAINLESS
WEIGHT	14.1 kg
STRUCTURE	WELDED / FULLY ASSEMBLED
SUPPLY PRESSURE	2.8 kPa (LPG) 2.0 kPa (NG)

DETAIL

GAS CONSUMPTION & FUEL TYPE (SEE*1)	LPG = 6.35 kg/h / *NG = 316.52 MJ/h
HEATING AREA	LARGE OUTDOOR AREA
IGNITION SYSTEM (SEE*2)	HWI - HOT WIRE IGNITION
TYPE OF BURNER	RING BURNER

*1 THE CONNECTION TO A LPG / NG GAS INSTALLATION MUST BE DONE BY A SAQCC REGISTERED GAS PRACTITIONER IN ACCORDANCE WITH SANS 10087-1 FOR LPG AND SANS 827 FOR NG AND THE OPERATORS MANUAL

*NG REQUIRES A NATURAL GAS CONVERSION KIT - PLEASE ADVISE WHEN PURCHASING

*2 24v REVOLUTIONARY ELECTRONIC CONTROL MODULE WITH RELIABLE HOT WIRE IGNITION

FEATURES

ALL WEATHER - HEAVY GAUGE STAINLESS WITH WATER DRAINAGE
BURNER HOLES - ACCURATELY DRILLED STAGERED HOLES FOR CONSISTANT FLAME APPEARANCE
FLAME CONTROL - ADJUSTABLE FOR FLAME HEIGHT AND INTENSITY ON CONTROL VALVE
EASY FLAME START UP & EXTINGUISHING - BY SWITHING ON / OFF
INSTALLATION - EASY DROP IN DESIGN
TRANSFORMER - 24v AC SUPPLIED WITH
FIRE PIT VINYL COVER - SUPPLIED WITH FPC - 53

NOTE-

OUTDOOR ONLY
ONLY USE SYAM VOLCANIC ROCK OR FIREGLASS WITH THIS FIREPIT (SOLD SEPERATELY)
INSTALL WITH A SHUT OFF VALVE WHICH IS EASILY ACCESSIBLE NEAR THE FIREPIT SO THAT THE GAS SUPPLY CAN BE SHUT OFF AFTER USE

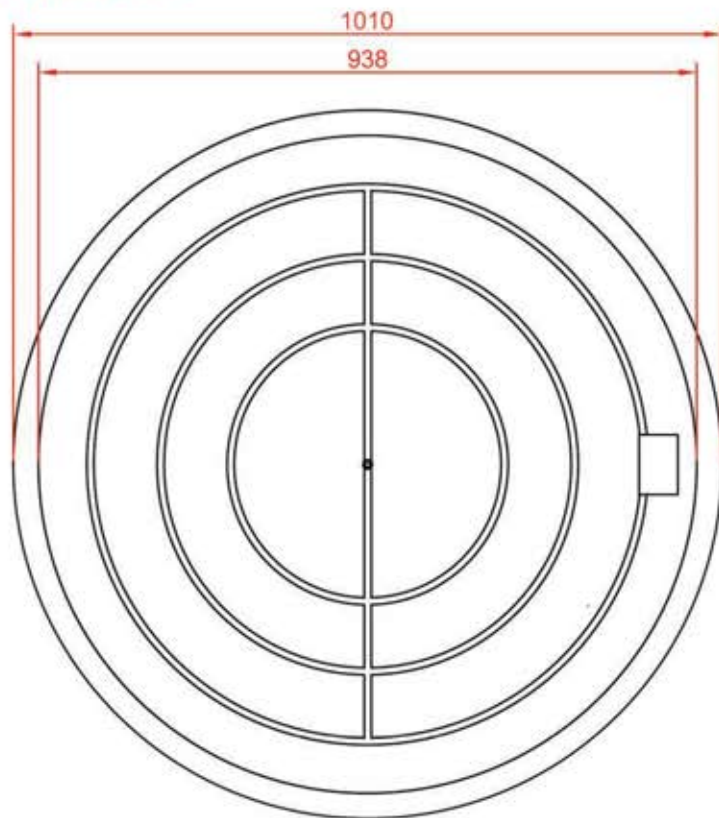
PACKAGING

1 BOX 34.9 kg (LxWxH) - 1220x1220x810mm M³ - 1.21

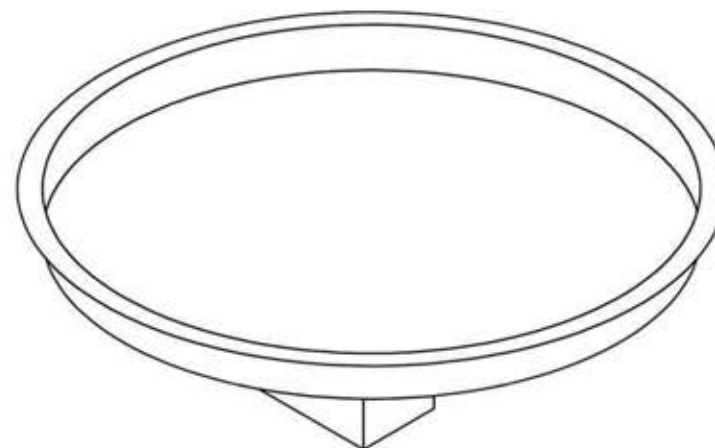


REV 2.1



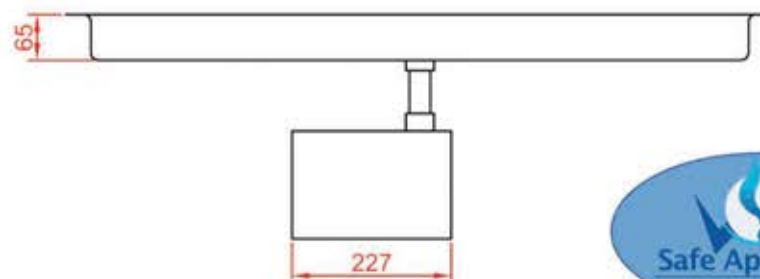
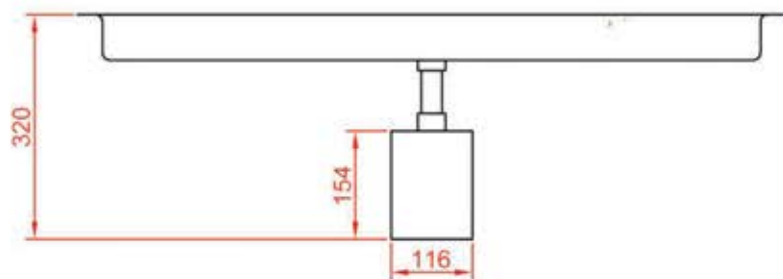


STANDARD
BOWL TYPE PIT.



PAN, BURNER AND VALVE
BOX ARE ALL 304
STAINLESS STEEL.

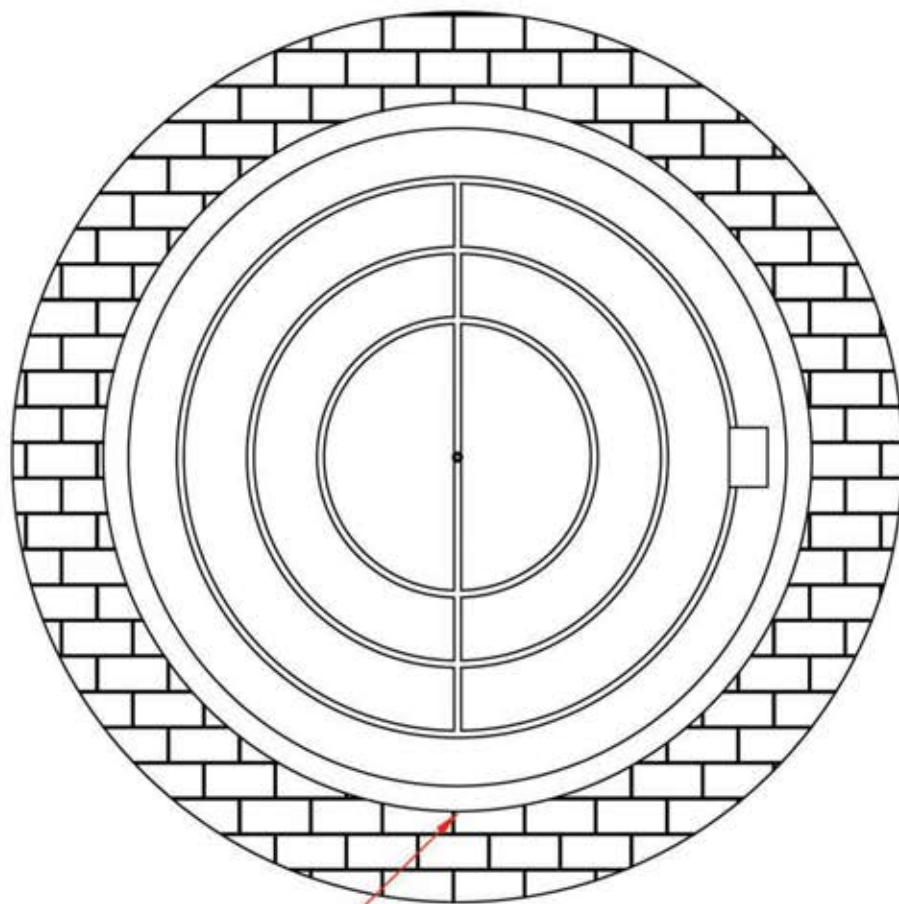
GAS CONSUMPTION
LPG= 6,35kg/h
NG= 316.52MJ/h



STAINLESS STEEL

PRODUCT DIMENSIONS (mm)

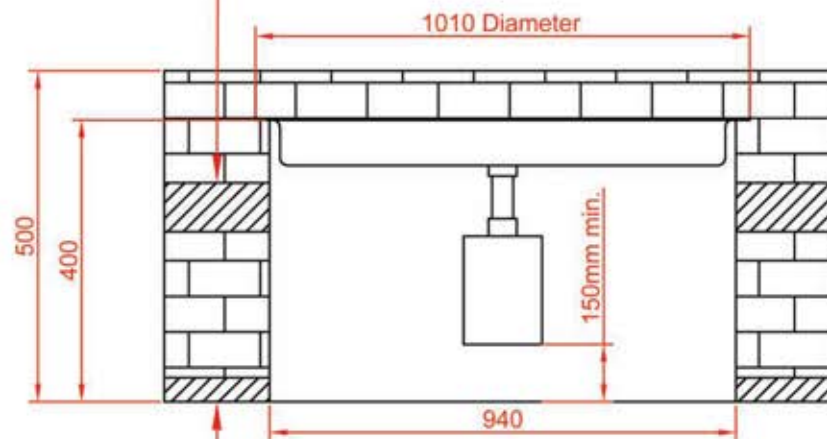




The firepit must be supported by the pan and not the control box

PRIMARY AIR INLETS
Min. requirement: 3x 75mmx150mm

The enclosure is built so that the fire-pit can be placed on top of it with the pans lip supporting its weight.



WATER DRAINAGE
Min. Requirement: 3x Equi spaced holes at the bottom

NEVER INSTALL THE FIREPIT BELOW GROUND LEVEL.



STAINLESS STEEL

FOR OUTDOOR USE ONLY
BUILT IN PLAN

