



'WHEN ONLY THE BEST WILL DO'

ITEM SYAM 1550 E/CONTROL LPG/NG
SS304 FIREPIT

MODEL 48SS400HWI HC/48SS400HWING HC

STYLE STAINLESS FIRE RING BURNER,
PAN AND VALVE BOX WITH LOW
VOLTAGE HOT WIRE IGNITION
AND ELECTRONIC GAS CONTROL
VALVE SYSTEM

DESIGN

DIMENSIONS (DIAXHEIGHT) 1380x343mm

NUMBER OF RINGS 4

FIRE RING MATERIAL 304 STAINLESS

FIRE PAN & VALVE BOX MATERIAL 304 STAINLESS

WEIGHT 24.1 kg

STRUCTURE WELDED / FULLY ASSEMBLED

SUPPLY PRESSURE 2.8 kPa (LPG) 2.0 kPa (NG)

DETAIL

GAS CONSUMPTION & FUEL TYPE (SEE*1) LPG = 8.47 kg/h / *NG = 420.96 MJ/h

HEATING AREA LARGE OUTDOOR AREA

IGNITION SYSTEM (SEE*2) HWI - HOT WIRE IGNITION

TYPE OF BURNER RING BURNER

*1 THE CONNECTION TO A LPG / NG GAS INSTALLATION MUST BE DONE BY A SAQCC REGISTERED GAS PRACTITIONER IN ACCORDANCE WITH SANS 10087-1 FOR LPG AND SANS 827 FOR NG AND THE OPERATORS MANUAL

*NG REQUIRES A NATURAL GAS CONVERSION KIT - PLEASE ADVISE WHEN PURCHASING

*2 24v REVOLUTIONARY ELECTRONIC CONTROL MODULE WITH RELIABLE HOT WIRE IGNITION

FEATURES

ALL WEATHER - HEAVY GAUGE STAINLESS WITH WATER DRAINAGE

BURNER HOLES - ACCURATELY DRILLED STAGERED HOLES FOR CONSISTANT FLAME APPEARANCE

FLAME CONTROL - ADJUSTABLE FOR FLAME HEIGHT AND INTENSITY ON CONTROL VALVE

EASY FLAME START UP & EXTINGUISHING - BY SWITHING ON / OFF

INSTALLATION - EASY DROP IN DESIGN

TRANSFORMER - 24v AC SUPPLIED WITH

FIRE PIT VINYL COVER - SUPPLIED ON REQUEST

NOTE-

OUTDOOR ONLY
ONLY USE SYAM VOLCANIC ROCK OR FIREGLASS WITH THIS FIREPIT (SOLD SEPERATELY)
INSTALL WITH A SHUT OFF VALVE WHICH IS EASILY ACCESSIBLE NEAR THE FIREPIT SO THAT THE GAS SUPPLY CAN BE SHUT OFF AFTER USE

PACKAGING

1 BOX 45.4 kg (LxWxH) - 1220x1220x810mm M³ - 1.21

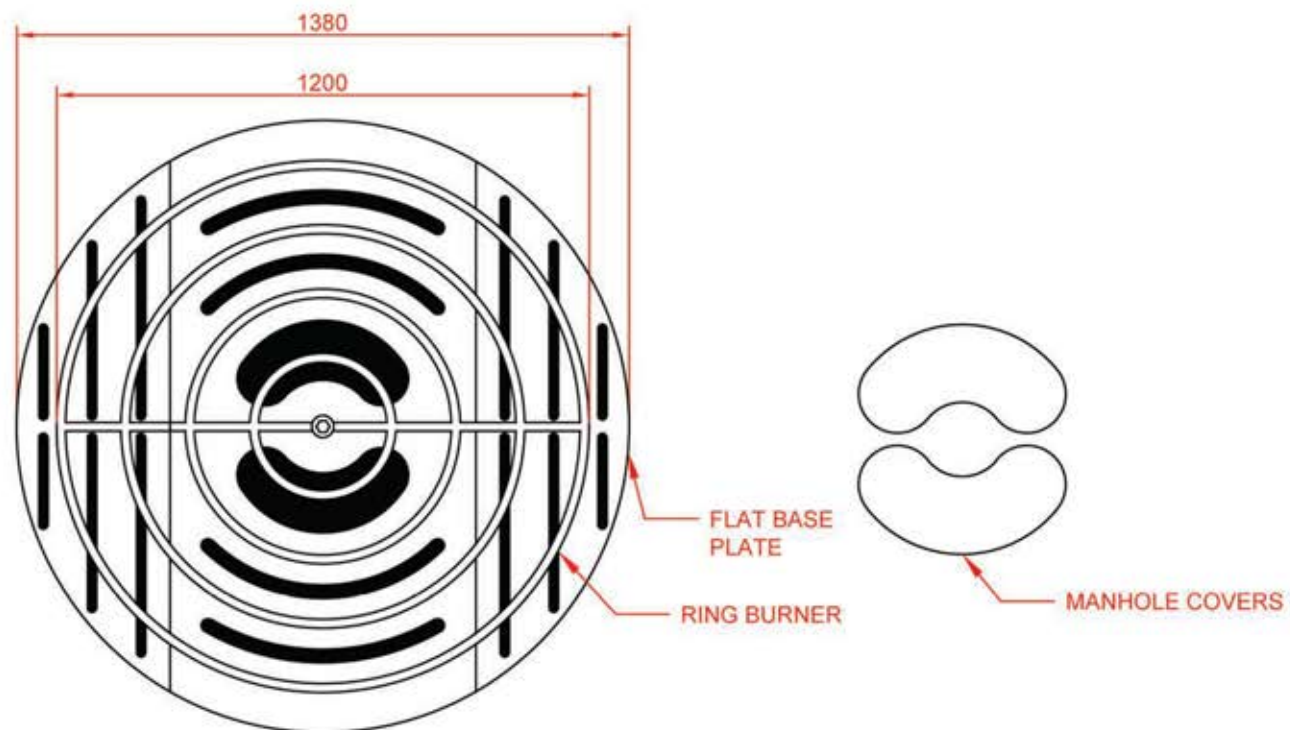


REV 2.1

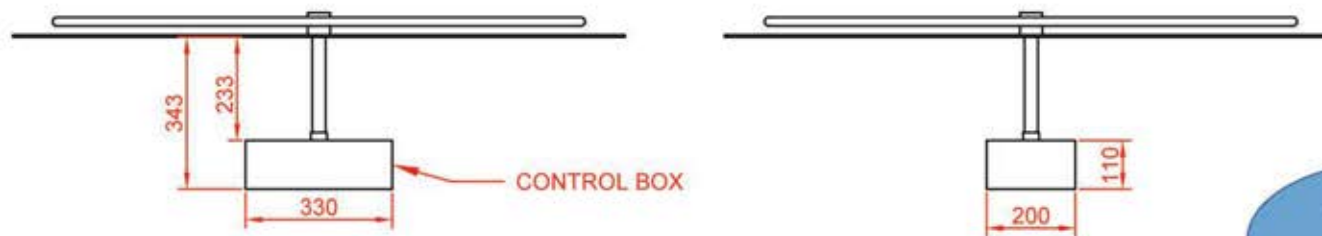


© SYAM Distributors. 2004 - 2013. All rights reserved.

STAINLESS STEEL



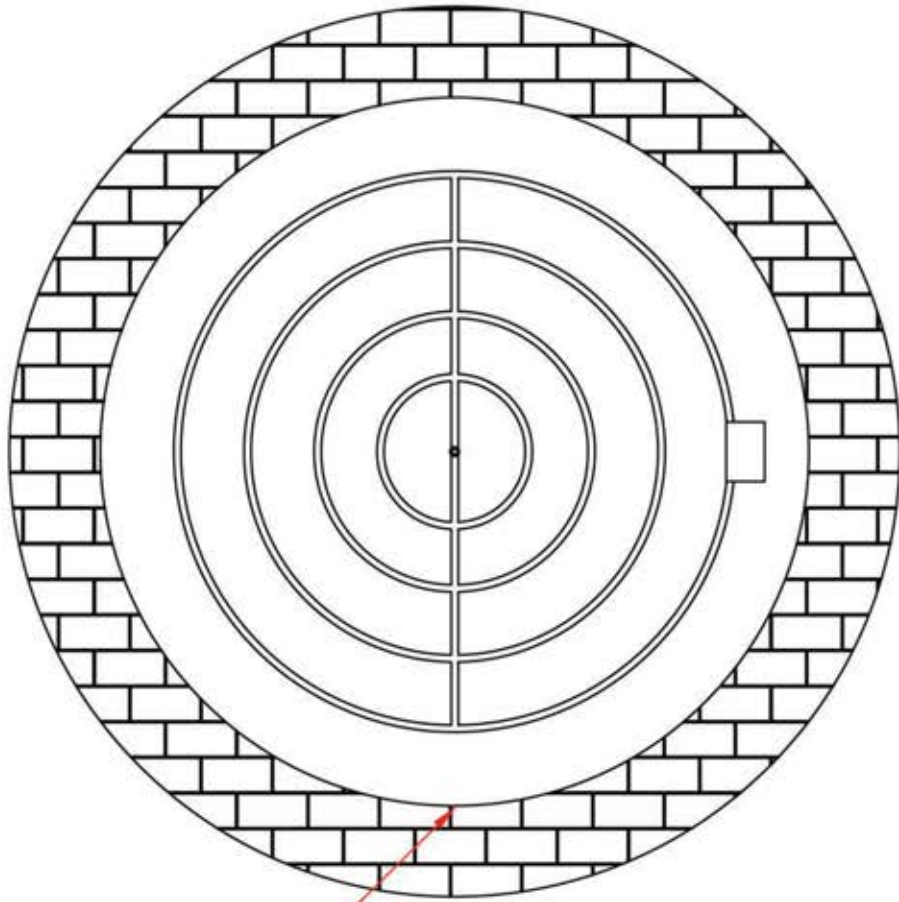
GAS CONSUMPTION
LPG= 8,47kg/h
NG= 422,00MJ/h



STAINLESS STEEL

PRODUCT DIMENSIONS (mm)

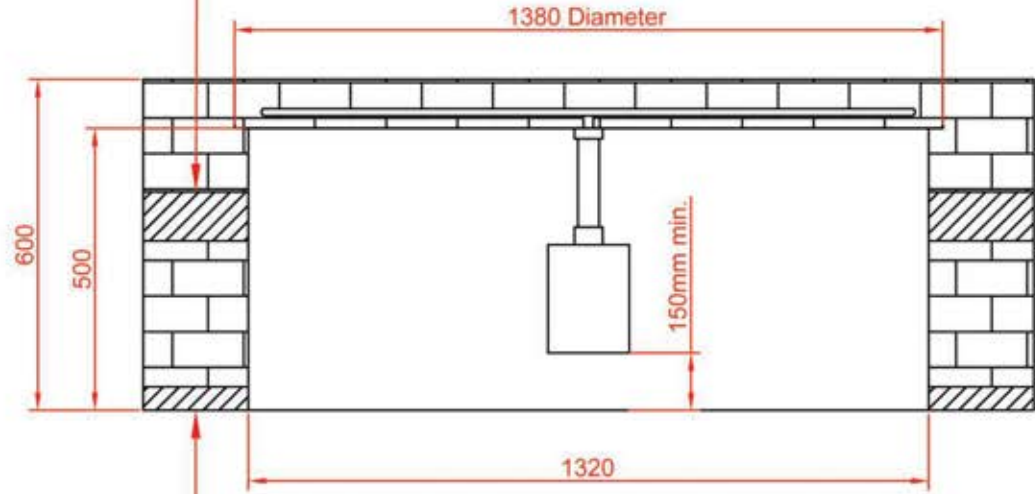




The firepit must be supported by the pan and not the control box

PRIMARY AIR INLETS
Min. requirement: 3x 75mmx150mm

The enclosure is built so that the fire-pit can be placed on top of it with the pans lip supporting its weight.



WATER DRAINAGE
Min. Requirement: 3x Equi spaced holes at the bottom

NEVER INSTALL THE FIREPIT BELOW GROUND LEVEL.



FOR OUTDOOR USE ONLY
BUILT IN PLAN

