



'WHEN ONLY THE BEST WILL DO'

**ITEM** SYAM EXCLUSIVE 8 BURNER STAINLESS 304 GAS MOBILE BBQ / BRAAI

**MODEL** CPBIS8B2SR

**STYLE** OUTDOOR MOBILE 8 BURNER BBQ DOUBLE LAYER STAINLESS DOME AND FULL SIZE GREASE TRAY WITH EASY READ HEAT INDICATOR. SIDE SIMMER & WOK BURNER. GAS CYLINDER HOUSED INSIDE BBQ



**DESIGN**

DIMENSIONS (LxWxH)	1865x649x1213mm
GRILLING AREA (6 BURNERS)	810x480mm
SIDE COOKING AREA (2 BURNER)	340x400mm
MATERIAL	304 STAINLESS
WEIGHT	115.0 kg
STRUCTURE	WELDED/FULLY ASSEMBLED
CONTROL KNOBS	SOLID DIE-CAST

**DETAIL**

MAX GAS CONSUMPTION & FUEL TYPE (SEE*1)	LPG = 1.83 kg/h / *NG = 91.50 MJ/h
BURNER DEPLOY (SEE*2)	5Mi + 1BL - 1Sw + 1Ss
IGNITION SYSTEM (SEE*3)	SELF IGNITION
SAFETY FAILURE DEVICE	FITTED TO BACK BURNER
ROTISSERIE KIT (SEE*4)	INCLUDED
COVER (SEE*5)	INCLUDED
GAS REGULATOR INCLUDED	2.8kPa (FOR LPG CYLINDERS ONLY)

\*1 MINIMUM LPG SUPPLY IS 9kg GAS CYLINDER. IF CONNECTED TO A LPG / \*NG INSTALLATION MUST BE DONE BY A SAQCC REGISTERED GAS PRACTITIONER IN ACCORDANCE WITH SANS 10087-1 FOR LPG AND SANS 827 FOR NG. OPERATING PRESSURE FOR LPG IS 2.8kPa / NG IS 2.0 kPa

\*NG REQUIRES A JET CONVERSION KIT PACKED WITH THE BBQ

\*2 Mi: SS I-SHAPED MAIN BURNER / BL: BACK LONG BURNER / Sw: SIDE BURNER WOK / Ss: SIDE BURNER SIMMER

THE DIGIT DENOTES THE NUMBER OF BURNERS

\*3 BUILD-IN FIRE ARM WITH PIEZO SPARK IGNITION SYSTEM

\*4 COMPRISING OF a) DC MOTOR b) HEX ROD c) QUICK CONNECT HANDLE d) 2 x SINGLE SIDED SPITS e) BALANCE COUNTER WEIGHT

\*5 PVC WITH COTTON LINER

\*6 OPTIONAL ACCESSORIES a) CAST IRON REVERSIBLE GRIDDLE b) 304 STAINLESS BRAAI PAN c) 304 STAINLESS 375 STIR FRY PAN d) 304 STAINLESS 750 STIR FRY PAN e) DOUBLE SIDED SPIT

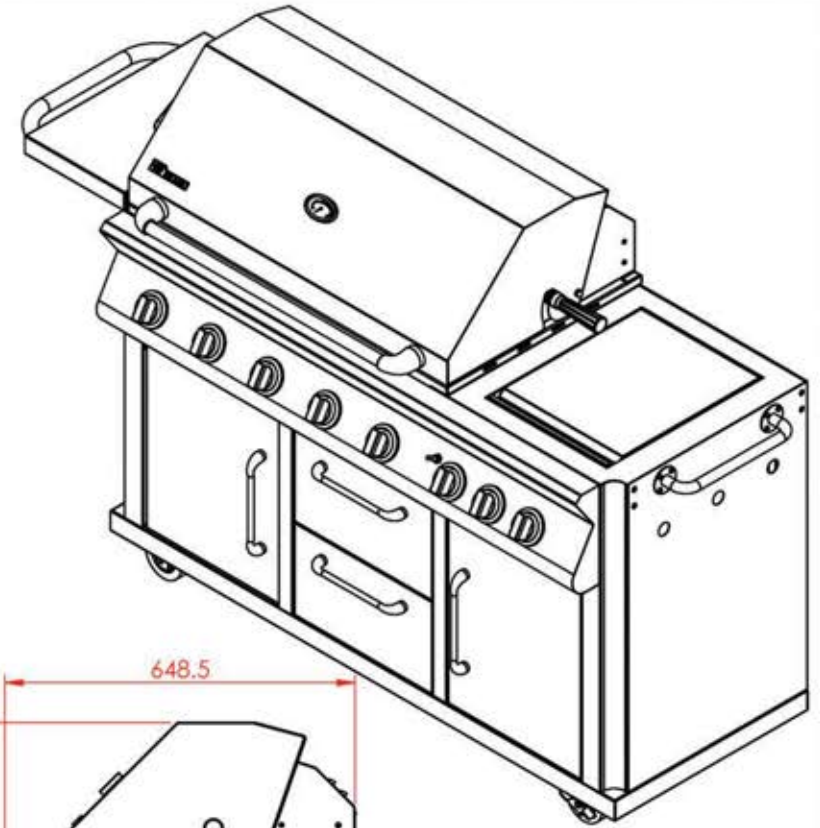
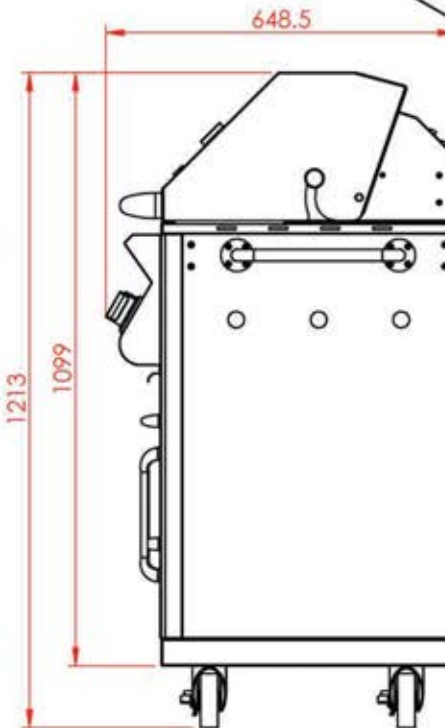
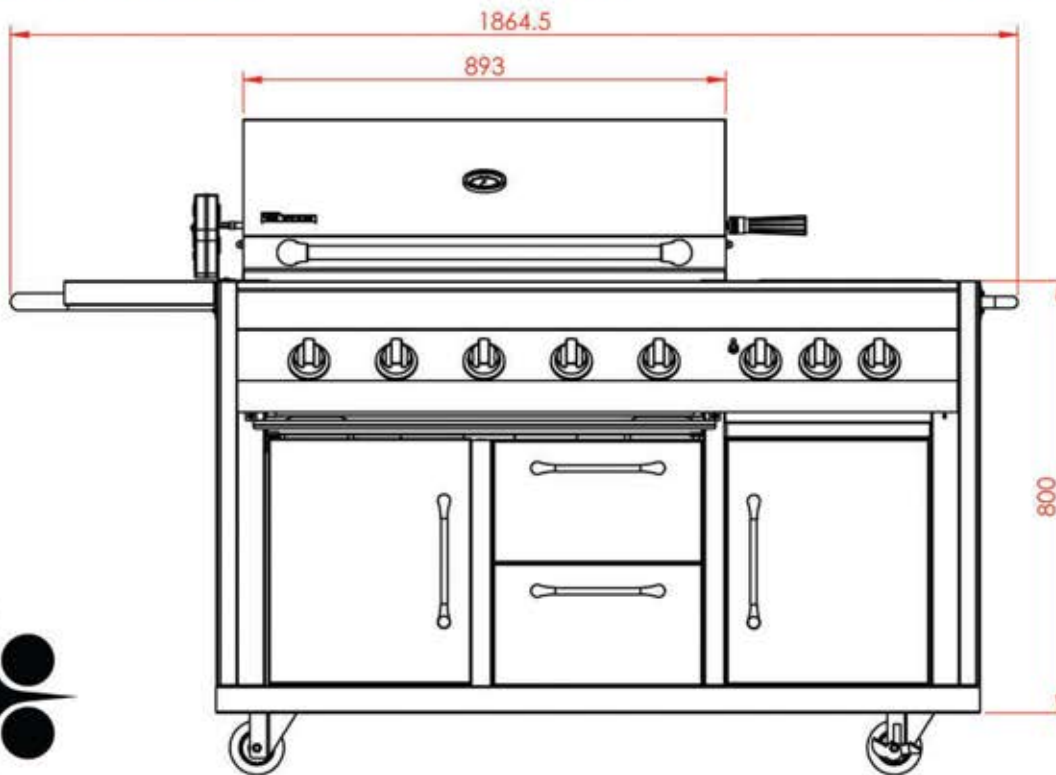
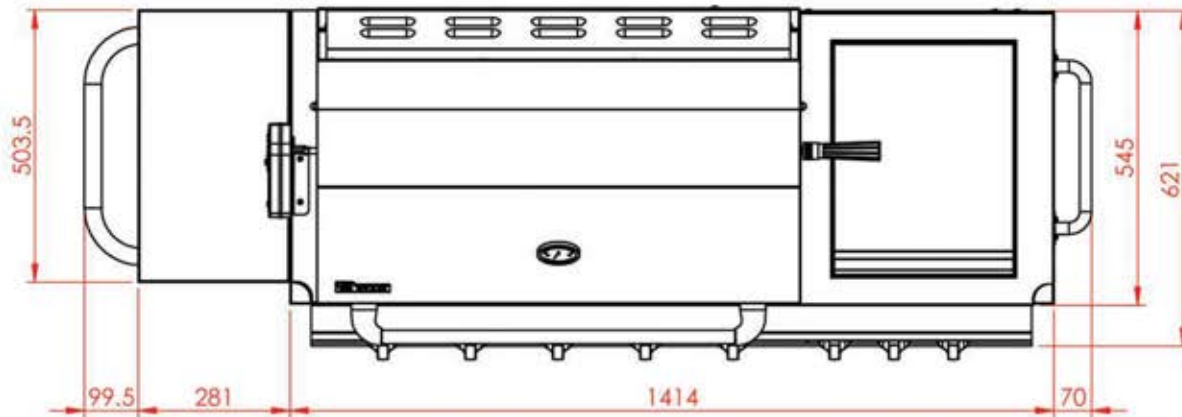
**PACKAGING**

1 BOX 138.0 kg (LxWxH) - 1480x720x1280mm M<sup>3</sup> - 1.36



REV 2.1





STAINLESS STEEL

ITEM: EXCLUSIVE 8 BURNER STAINLESS 304 GAS

MODEL: CPBIS8B2SR

SHEET 1 OF 1

REV 2.1

