



'WHEN ONLY THE BEST WILL DO'

**ITEM** SYAM PRESTIGE 5 BURNER  
STAINLESS 304 GAS MOBILE BBQ /  
BRAAI

**MODEL** CPBUS5B1SR

**STYLE** OUTDOOR MOBILE 5 BURNER  
BBQ DOUBLE LAYER STAINLESS  
DOME AND FULL SIZE GREASE  
TRAY WITH EASY READ HEAT  
INDICATOR. SIDE WOK BURNER.  
GAS CYLINDER HOUSED INSIDE  
BBQ



#### DESIGN

DIMENSIONS (LxWxH)	1864x649x1183mm
GRILLING AREA (4 BURNERS)	810x480mm
SIDE COOKING AREA (1 BURNER)	340x400mm
MATERIAL	304 STAINLESS
WEIGHT	112.0 kg
STRUCTURE	WELDED/FULLY ASSEMBLED
CONTROL KNOBS	SOLID DIE-CAST

#### DETAIL

MAX GAS CONSUMPTION & FUEL TYPE (SEE*1)	LPG = 1.60 kg/h / *NG = 80.00 MJ/h
BURNER DEPLOY (SEE*2)	3Mu + 1BL - 1Sw
IGNITION SYSTEM (SEE*3)	SELF IGNITION
SAFETY FAILURE DEVICE	FITTED TO BACK BURNER
ROTISSERIE KIT (SEE*4)	INCLUDED
COVER (SEE*5)	INCLUDED
GAS REGULATOR INCLUDED	2.8kPa (FOR LPG CYLINDERS ONLY)

\*1 MINIMUM LPG SUPPLY IS 9kg GAS CYLINDER. IF CONNECTED TO A LPG / \*NG INSTALLATION MUST BE DONE BY A SAQCC REGISTERED GAS PRACTITIONER IN ACCORDANCE WITH SANS 10087-1 FOR LPG AND SANS 827 FOR NG. OPERATING PRESSURE FOR LPG IS 2.8kPa / NG IS 2.0 kPa

\*NG REQUIRES A JET CONVERSION KIT PACKED WITH THE BBQ

\*2 Mu: SS U-SHAPED MAIN BURNER / BL: BACK LONG BURNER / Sw: SIDE BURNER WOK THE DIGIT DENOTES THE NUMBER OF BURNERS

\*3 BUILD-IN FIRE ARM WITH PIEZO SPARK IGNITION SYSTEM

\*4 COMPRISING OF a) DC MOTOR b) HEX ROD c) QUICK CONNECT HANDLE d) 2 x SINGLE SIDED SPITS e) BALANCE COUNTER WEIGHT

\*5 PVC WITH COTTON LINER

\*6 OPTIONAL ACCESSORIES a) CAST IRON REVERSIBLE GRIDDLE b) 304 STAINLESS BRAAI PAN c) 304 STAINLESS 375 STIR FRY PAN d) 304 STAINLESS 750 STIR FRY PAN e) DOUBLE SIDED SPIT

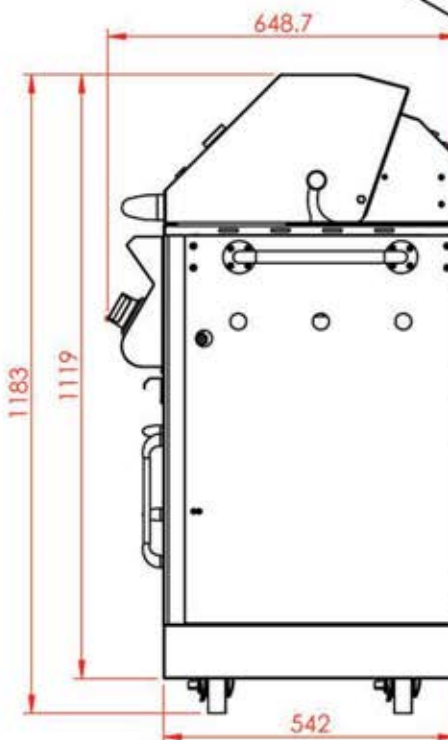
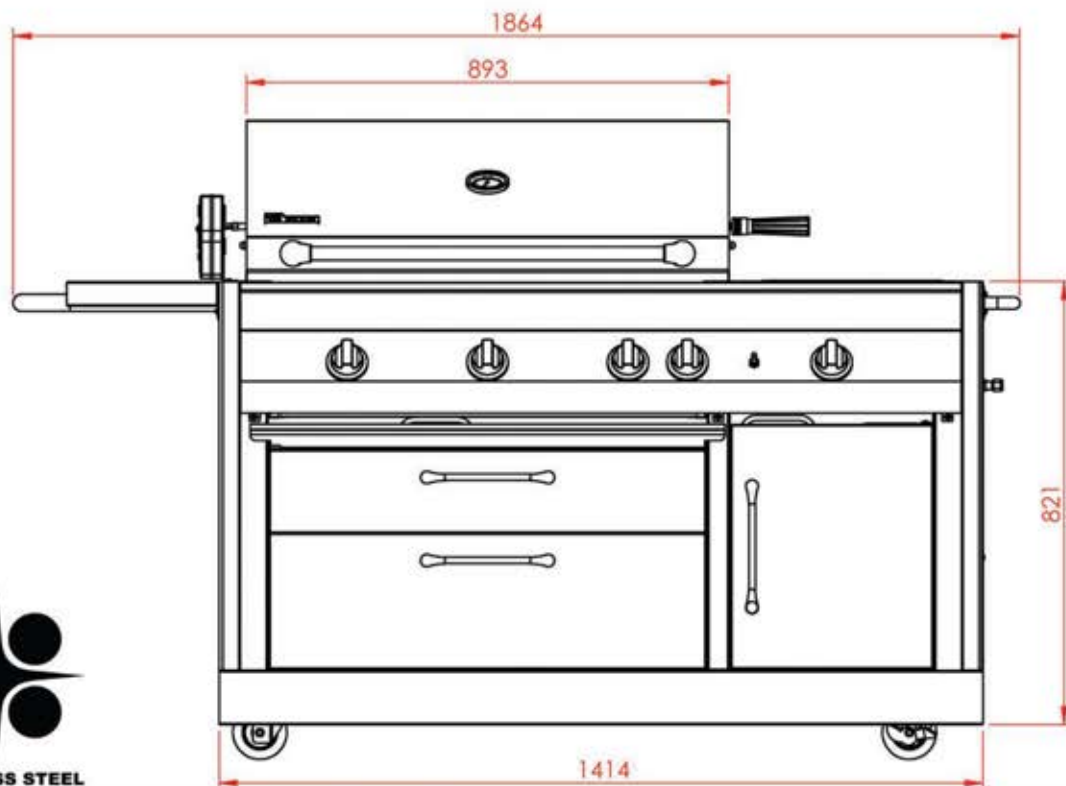
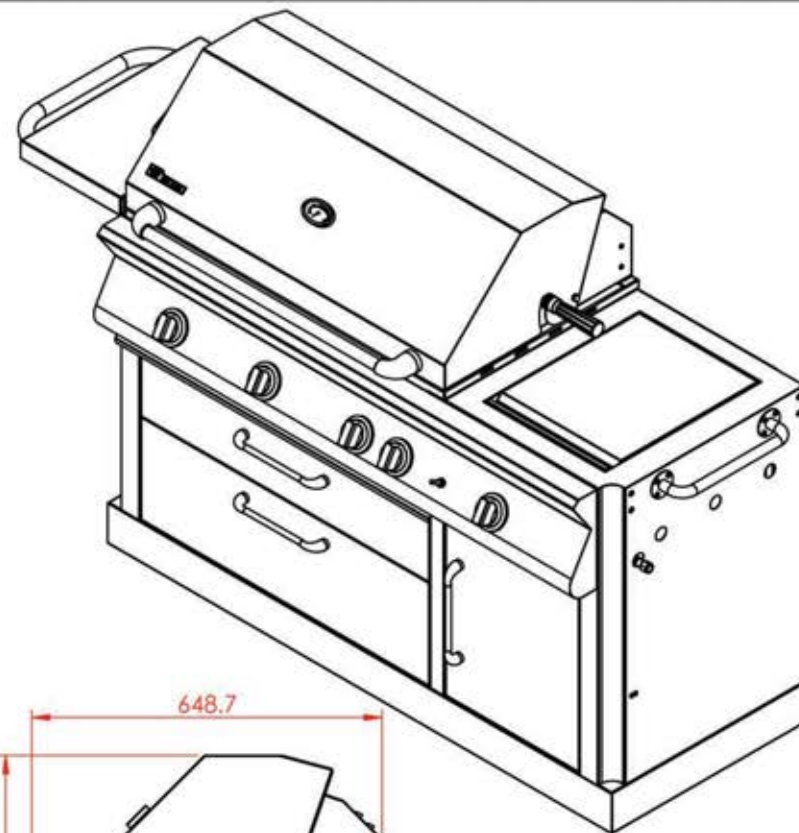
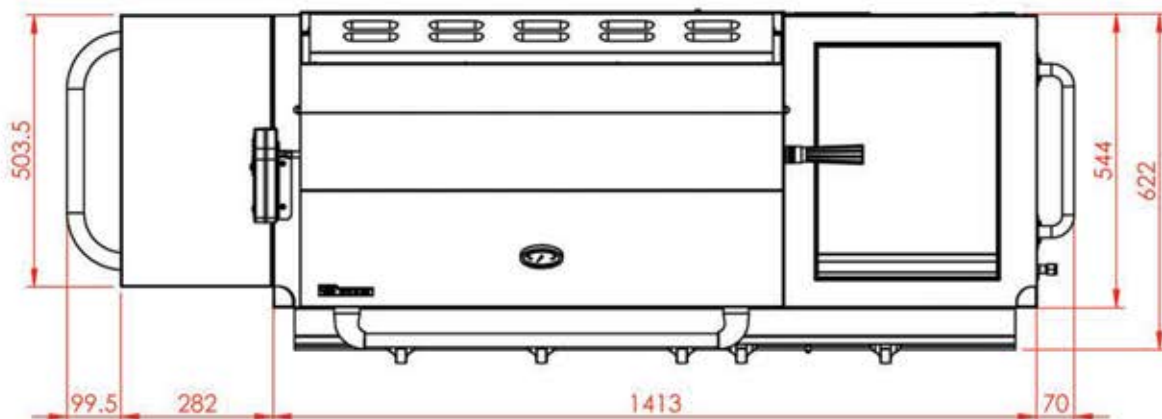
#### PACKAGING

1 BOX 138.8 kg (LxWxH) - 1470x720x1280mm M<sup>3</sup> - 1.35



REV 2.1





STAINLESS STEEL

ITEM: PRESTIGE 5 BURNER STAINLESS 304 GAS

MODEL: CPBUS5B1SR

SHEET 1 OF 1

REV 2.1

