



ITEM SYAM 600 DESIGNER BIO FIRE
STAINLESS GRATE

MODEL DLBDG600

STYLE BRUSHED STAINLESS DOUBLE
LAYERED BURNER WITH BURNER
HOLDER

MOUNT FITTED

DESIGN

DIMENSIONS (LxWxH) 614x214x90mm

BURNER MATERIAL BRUSHED STAINLESS STEEL

WEIGHT 17.0 kg

STRUCTURE WELDED / FULLY ASSEMBLED

DETAIL

FUEL BIOETHANOL

FUEL CONSUMPTION AROUND 0.7 L/h

HEATING UP TO 270m³

IGNITION MANUAL

BURNER 1 x DOUBLE LAYERED

FUEL CAPACITY 4.5 L

FEATURES

FLUELESS - NO CHIMNEY REQUIRED, 100% HEAT EFFICIENCY / LOWER BUILDING COSTS

IGNITION & FLAME EXTINGUISHING - FLAME KILLER PROVIDED

BURNER HOLDER - FOR ADDITIONAL SAFETY AGAINST LEAKAGE

STAINLESS STEEL GRATE - IMPROVED CORROSION RESISTANCE WHERE NEEDED MOST

ENVIRONMENTALLY FRIENDLY - SMOKELESS, ODOURLESS AND VISUALLY APPEALING

NOTE-

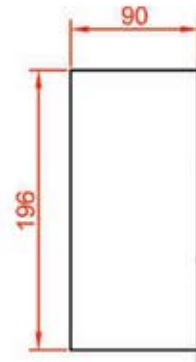
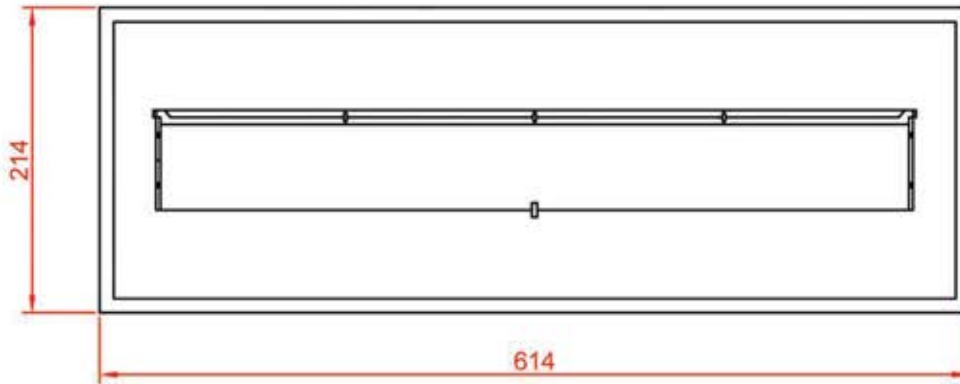
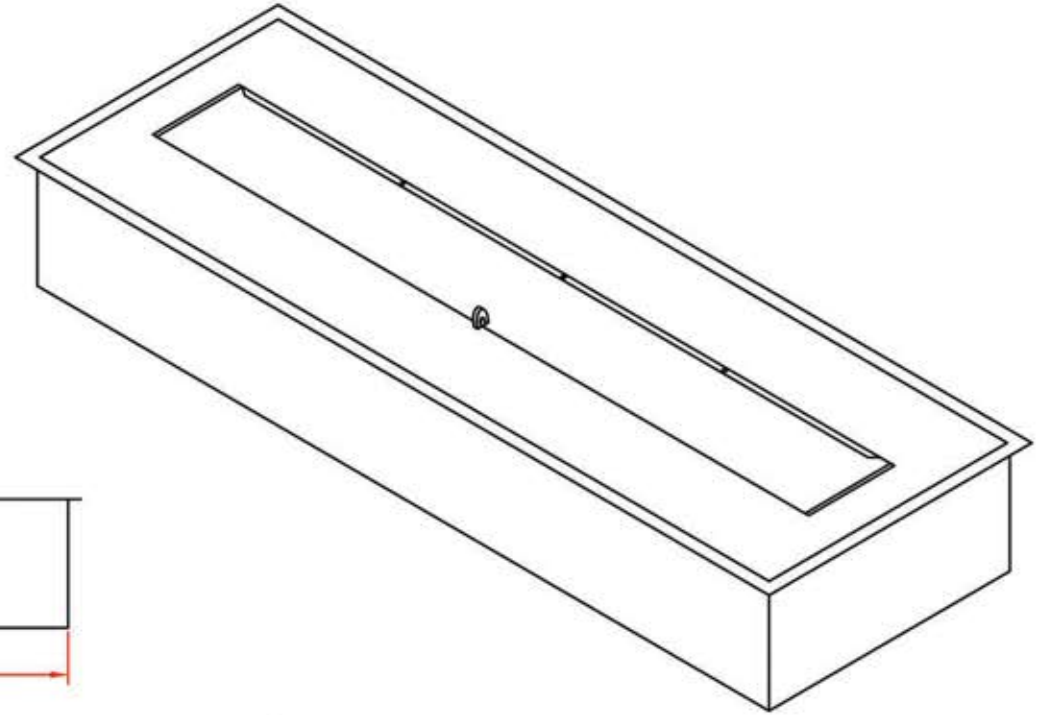
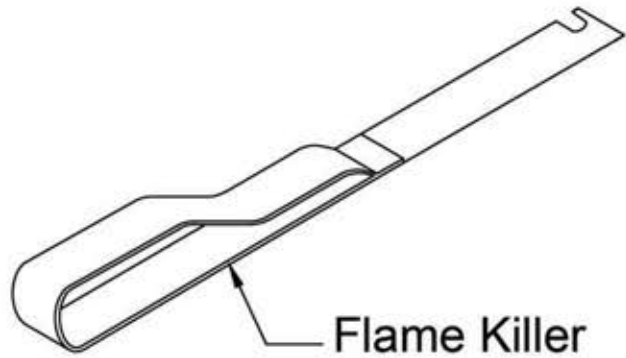
SYAM PEBBLES OR FIREGLASS CAN BE PLACED AROUND BURNER FOR AESTHETICS
AS FIRE CONSUMES OXYGEN, AREA SHOULD BE VENTILATED FOR THE FRE FLOW OF AIR
BIOETHANOL IS HIGHLY FLAMABLE AND MUST BE STORED SAFELY AWAY AND OUT OF REACH FROM
CHILDREN
IF SWOLOWED MEDICAL ATTENTION SHOULD BE SOUGHT

PACKAGING

1 BOX 20.0 kg (LxWxH) - 665x270x170mm M³ - 0.03

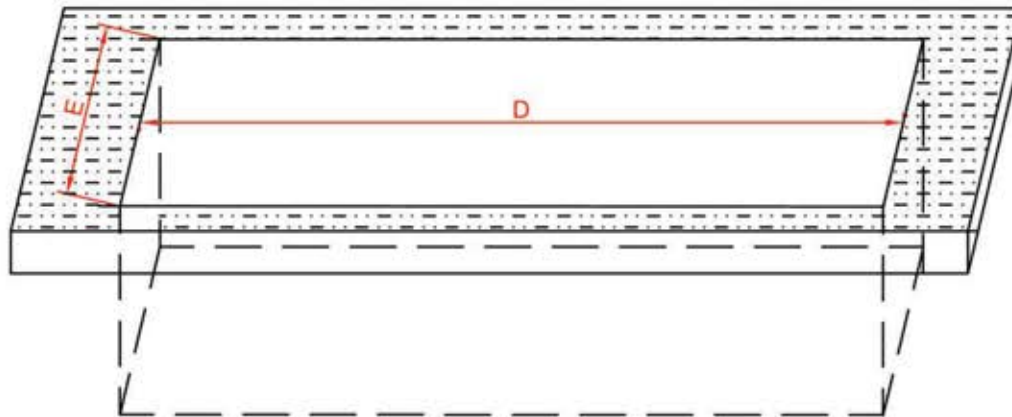
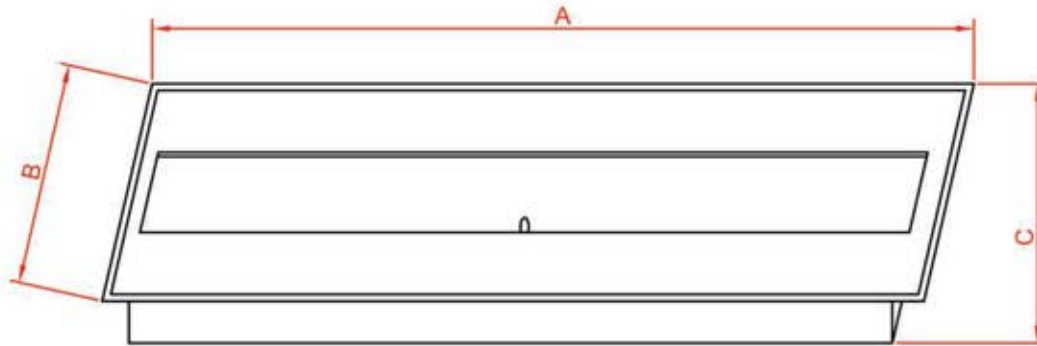
REV 2.1





STAINLESS STEEL

DESIGNER BIO GRATE BUILT IN PLAN



GRATE BUILT IN PLAN				
GRATE SIZE	600	800	1000	1500
A	614	814	1114	1603
B	214	214	214	219
C	90	90	90	114
CUT-OUT SIZE				
D	600	800	1100	1585
E	200	200	200	200
MIN. DEPTH	100	100	100	120

- ROOM TO HAVE ADEQUATE VENTILATION
- NEVER REFUEL WHILE FLAME IS LIT
- ONLY REFUEL WHEN GRATE IS COOL.

REV 2.1