



'WHEN ONLY THE BEST WILL DO'

**ITEM** SYAM REMOTE FIREPLACE LPG/NG  
1250 SS D/STYLUS VERTEX FACIA  
BLACK

**MODEL** F1250DSVFB/F1250DSVFBNG

**STYLE** 1250 STAINLESS DOUBLE STYLUS  
FIREBOX AND BLACK VERTEX FACIA  
WITH 1000 RCS DESIGNER 304  
STAINLESS GAS GRATE



### DESIGN

**FIREBOX DIMENSIONS (LxWxH)** 1319x499x634mm

**FIREBOX MATERIAL** BRIGHT ANNEALED 430 STAINLESS

**FACIA DIMENSIONS (LxH)** 1744x704mm

**FACIA MATERIAL** POWDER COATED STEEL

**GAS BURNER DIMENSIONS (LxWxH)** 1160x250x176.5mm

**GAS BURNER MATERIAL** BRUSHED 304 STAINLESS

**WEIGHT** 49.0 kg

**STRUCTURE** KNOCK DOWN

**HEAT OUTPUT** 16.43 kWh

**LEGAL MINIMUM ROOM SIZE** 236m<sup>3</sup> (WITHOUT PERMANENT VENTILATION)

### DETAIL

**GAS CONSUMPTION & FUEL TYPE (SEE\*1)** LPG = 1.19 kg/h / \*NG = 59.14 MJ/h  
UP TO 550m<sup>3</sup>

**HEATING**

**IGNITION SYSTEM (SEE\*2)** ELECTRONIC CONTROL

**TYPE OF BURNER** J-BURNER x 1

\*1 THE CONNECTION TO A LPG / NG GAS INSTALLATION MUST BE DONE BY A SAQCC REGISTERED  
GAS PRACTITIONER IN ACCORDANCE WITH SANS 10087-1 FOR LPG AND SANS 827 FOR NG  
AND THE OPERATORS MANUAL

\*NG REQUIRES A NATURAL GAS CONVERSION KIT - PLEASE ADVISE WHEN PURCHASING

\*2 MANUAL/REMOTE CONTROL ELECTRONIC IGNITION

\*3 BATTERY BACK UP FOR ELECTRONIC POWER OUTAGE ON TRANSFORMER

\*4 THE FIREPLACE COMES COMPLETE WITH EASY TO FOLLOW OPERATORS MANUAL

### FEATURES

**FLUELESS** - NO CHIMNEY REQUIRED, 100% HEAT EFFICIENCY / LOWER BUILDING COSTS

**OXYGEN DEPLETION SENSOR** - PURPOSE IS TO SHUT THE FIREPLACE OFF WHEN OXYGEN IN  
ROOM REACHES SAFETY LIMIT OR WHEN CARBON LEVEL IN THE ROOM IS TOO HIGH

**FLAME FAILURE** - PURPOSE IS TO SHUT THE FIREPLACE OFF WHEN FLAME GOES OUT

**STAINLESS STEEL GAS GRATE** - IMPROVED CORROSION RESISTANCE WHERE NEEDED MOST

**OPERATING PRESURE TEST POINT** - TO ENSURE CORRECT OPERATING PRESSURE ON GRATE

**FLUE ATTACHMENT** - FIREPLACE CAN BE FLUED (SOLD SEPERATELY)

### NOTE-

ONLY USE SYAM PEBBLES OR FIREGLASS WITH THIS FIREPLACE (SOLD SEPERATELY)  
THE FIREPLACE REQUIRES SUFFICIENT PRIMARY AIR SUPPLIED (FROM THE INSIDE). THE FIREBOX IS  
DESIGNED TO PROVIDE FOR PRIMARY AIR  
THIS APPLIANCE SHALL BE FLUED IF USED WHERE PEOPLE ESPECIALLY CHILDREN WITH ASTHMA,  
BRONCHIAL OR OTHER RESPIRATORY PROBLEMS MAY BE PRESENT  
**GAS FIREPLACES ARE NOT PERMITTED TO BE INSTALLED IN BATHROOMS**  
**ONLY FIREPLACES THAT ARE FLUED MAY BE INSTALLED IN BEDROOMS**  
THE ROOM OR AREA MUST BE VENTILATED ACCORDING TO THE OPERATORS MANUAL AND SANS 10087-1

### PACKAGING

1 BOX 31.6 kg	(LxWxH) - 1325x585x265mm	M <sup>3</sup> - 0.21
1 BOX 9.0 kg	(LxWxH) - 1770x730x75mm	M <sup>3</sup> - 0.08
1 BOX 9.0 kg	(LxWxH) - 1770x730x75mm	M <sup>3</sup> - 0.08
1 BOX 12.5 kg	(LxWxH) - 1290x290x215mm	M <sup>3</sup> - 0.08

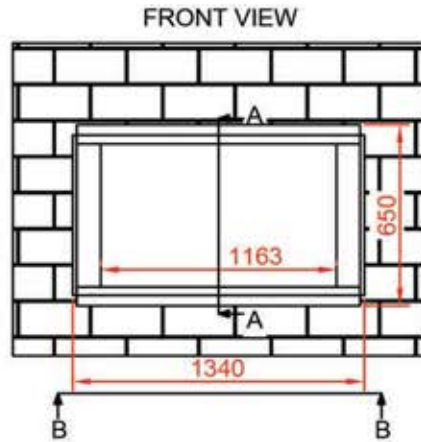


REV 2.1

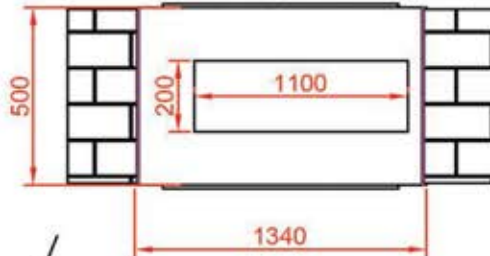


# 1250 DOUBLE STYLUS BUILT IN PLAN. GAS AND BIO FUEL MODELS

**FACIAS:**  
1-Vertex in Stainless/Powder Coat Black.  
2-Fera in Stainless/Powder Coat Black



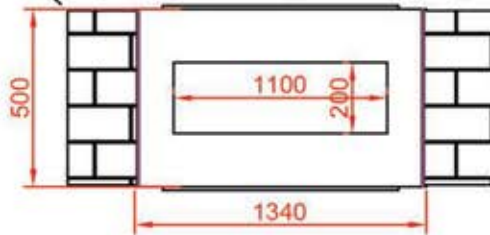
PLAN VIEW B-B (Off-centre cut out)



For Designer Gas Grate (manual system) the standard unequal bottom panel must be fitted prior to building in.

CUT OUT SIZES

PLAN VIEW B-B (centred cut out)



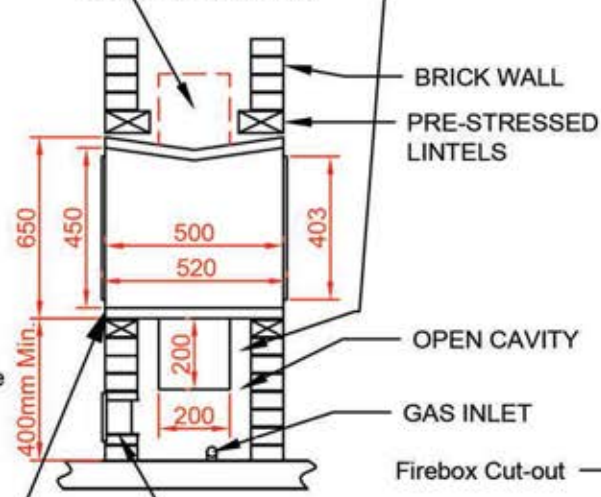
For RCS Designer Gas Grates and Bio Fuel Grates, the standard unequal bottom panel must be replaced with the equal bottom panel and fitted prior to building in.

RCS = Remote Control System

For the flue option, the standard firebox top panel should be replaced with the flue adapter top panel and must be fitted prior to building in. Flue adapter is designed for rectangular flue pipes 300x200mm inside dimensions.

For the flue option, it is imperative that the air in the flue cavity is sealed off from the primary air cavity. This is to prevent downdrafts interfering with the primary air supply, also the ODS will not function effectively if the primary air supply is received from the flue cavity.

SECTION VIEW A-A



Minimum height from the ground is 400mm min.

PRIMARY AIR INLET

Do not restrict the gap of 25mm underneath the front of the fireplace, as it provides primary air to the gas grates.

RCS control box can be fitted a maximum of 1 meter away from the gas grate. For optimal receiver and remote communication, the control box requires a direct line of communication.

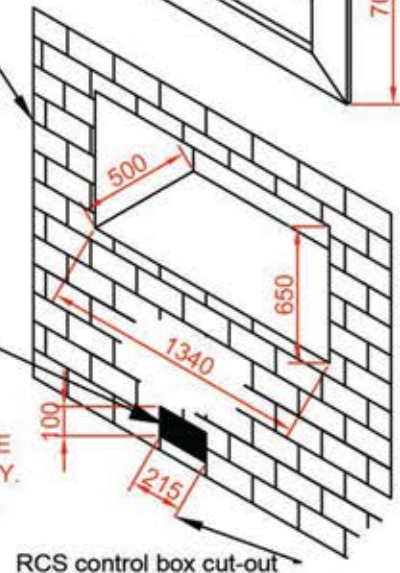
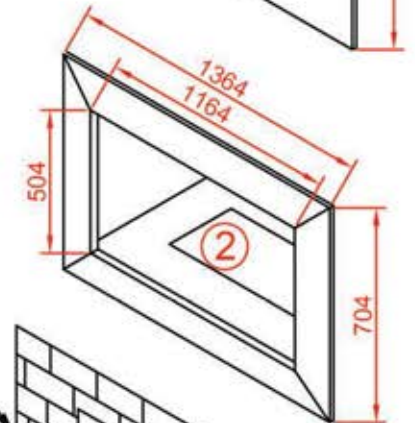
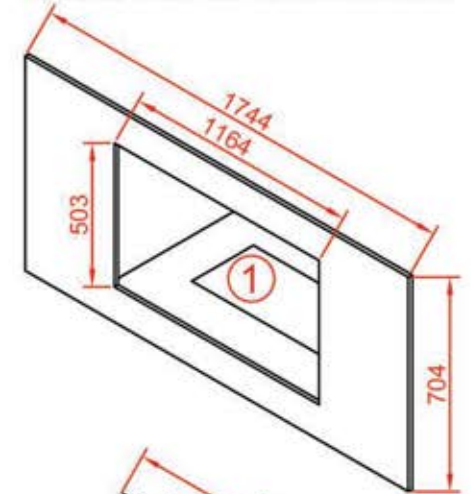
USES SYAM DESIGNER 1000 GRATE

\*THE FACIA IS DESIGNED TO FIT OVER AND COVER THE PRIMARY AIR INLET.

\*THE RCS 6V DC TRANSFORMER REQUIRES A MAX. DISTANCE OF 1,2m FROM THE FIREPLACE CONTROL BOX TO THE 220V PLUG SUPPLY AND SHALL NOT BE INSIDE THE FIREPLACE CAVITY.

\*THE RCS BATTERY PACK REQUIRES 4x AA BATTERIES AND IS ONLY FOR BACKUP POWER.

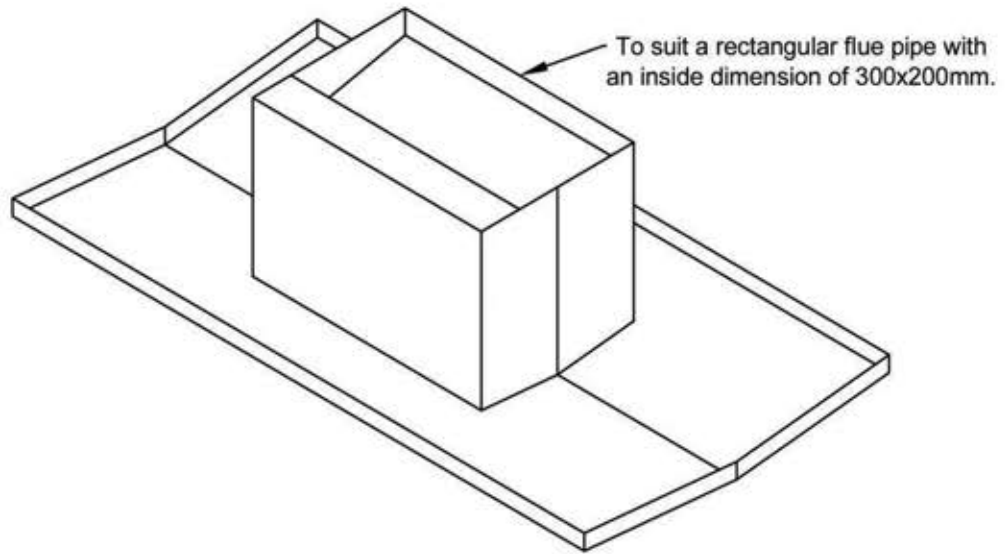
**ROOM TO HAVE ADEQUATE CROSS VENTILATION**



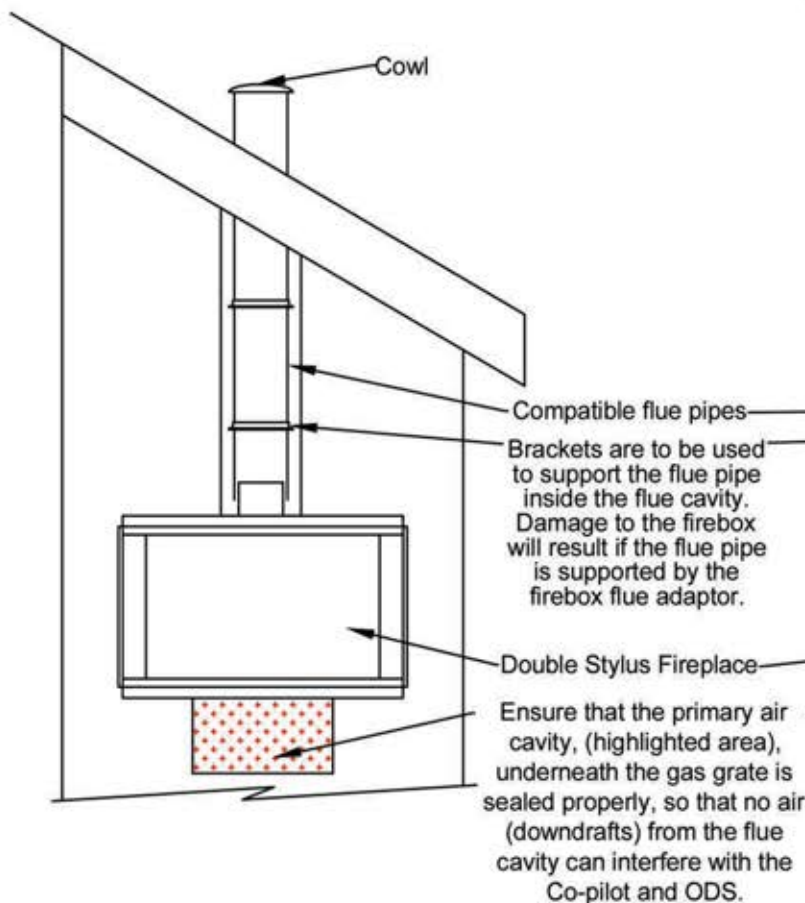
RCS control box cut-out

# SYAM DOUBLE SIDED STYLUS FIREPLACE FLUE OPTION

(Bedrooms and bathrooms mandatory for gas)



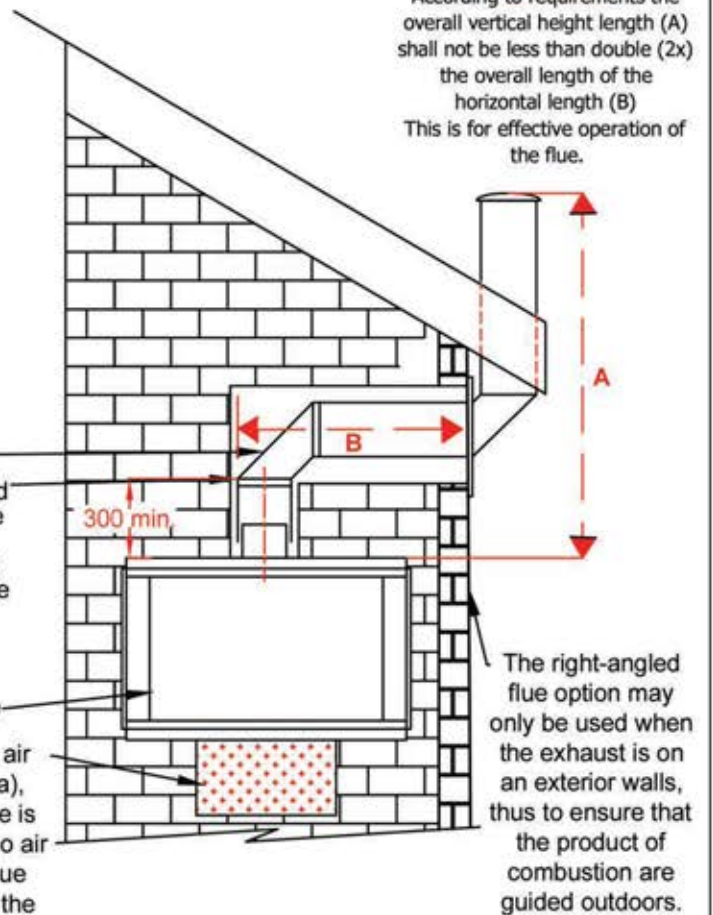
## STRAIGHT FLUE.



## RIGHT-ANGLED FLUE.

### IMPORTANT

According to requirements the overall vertical height length (A) shall not be less than double (2x) the overall length of the horizontal length (B). This is for effective operation of the flue.



### NOTE:

\*THE FLUE ATTACHMENT OPTION IS SOLD SEPERATELY ON REQUEST AND NEEDS TO BE FITTED PRIOR TO BUILDING IN THE FIREPLACE IN

\*FLUE PIPES, FITTINGS AND COWLS ARE NOT SUPPLIED

Flue Pipe Length:  $A=(\min)2xB$

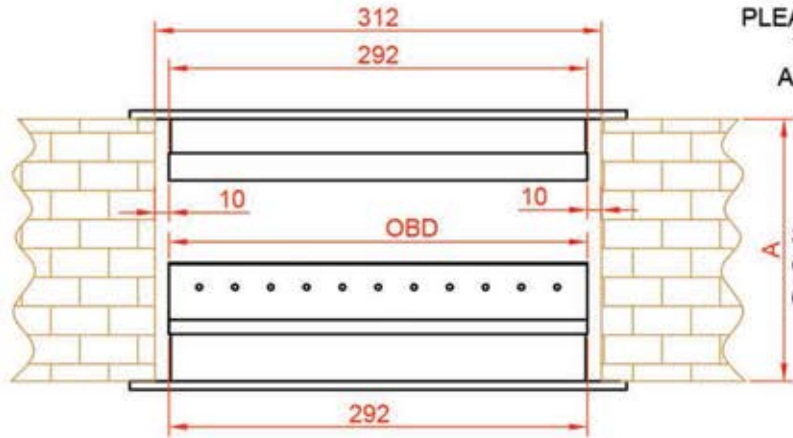


# SYAM VENTILATION GRILL DOUBLE SIDED BUILT IN PLAN.

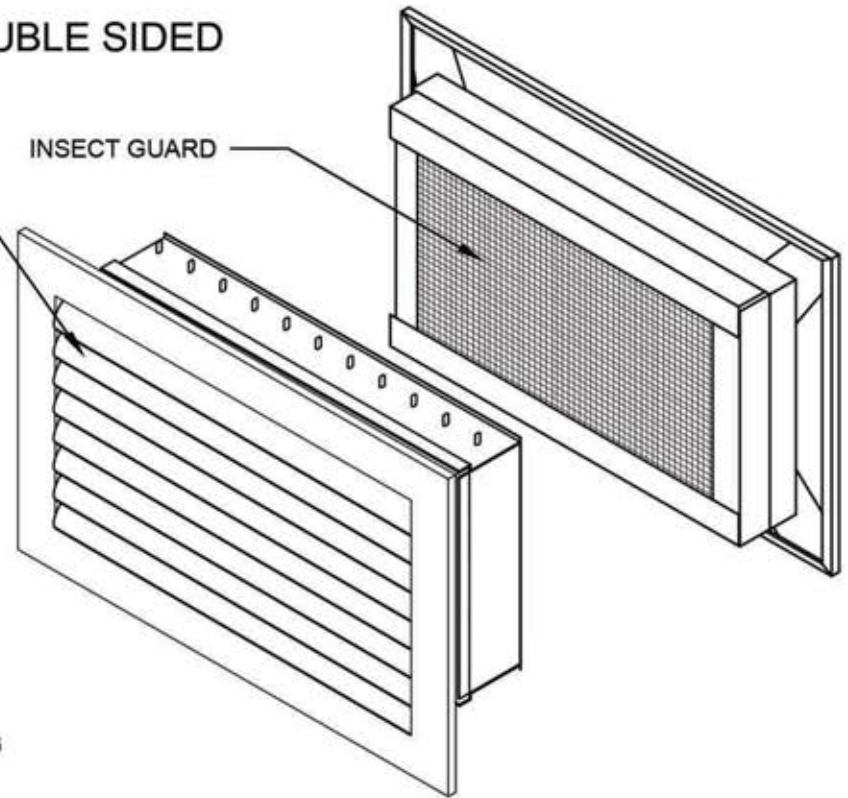
(Optional)

UPON INSTALLATION,  
PLEASE ENSURE THAT  
THE VENT BLADES  
ARE FACING DOWN.

INSECT GUARD

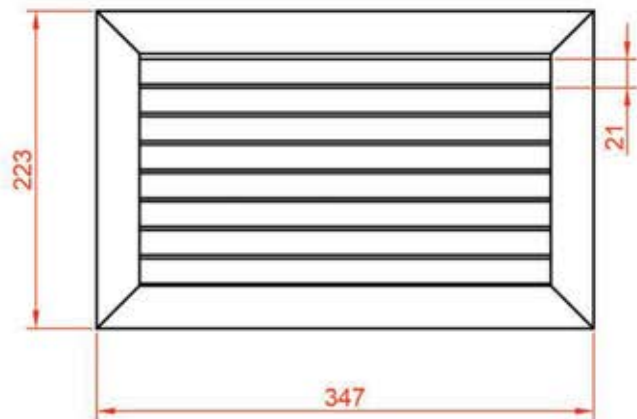


SIZE A VARIES DEPENDING  
ON WALL THICKNESS  
(MINIMUM OF 140mm)

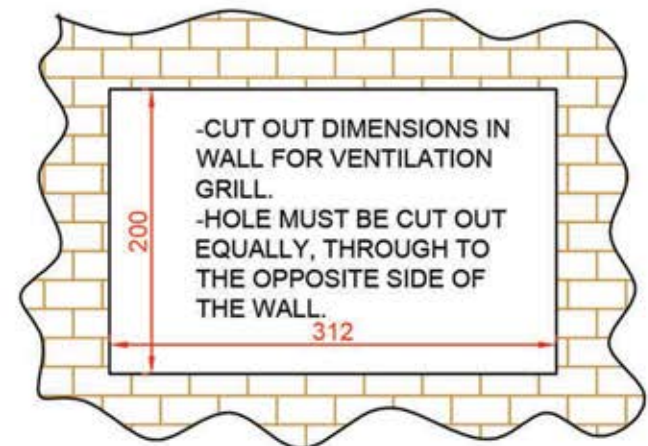
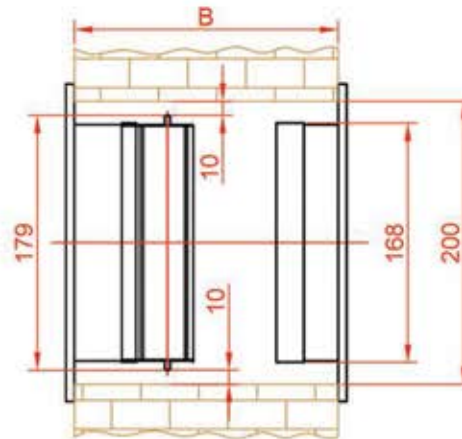


-OBD (OPPOSED BLADE DAMPER) IS  
USED TO OPEN AND CLOSE THE VENT.  
-THE OBD CAN BE INSTALLED TO  
OPEN/ CLOSE THE VENT FROM EITHER  
THE INSIDE OR THE OUTSIDE OF THE  
BUILDING DEPENDING ON THE  
BUILDING PREFERENCE.

SIZE B VARIES DEPENDING  
ON WALL THICKNESS  
(MINIMUM OF 140mm)



SCALE 1:5



NOTE: VENTILATION GRILLS DOUBLE SIDED ARE SOLD SEPERATELY ON REQUEST.