



'WHEN ONLY THE BEST WILL DO'

ITEM SYAM REMOTE FIREPLACE LPG/NG
1250 SS S/STYLUS VERTEX FACIA
BLACK

MODEL F1250SSVFB/F1250SSVFBNG

STYLE 1250 STAINLESS SINGLE STYLUS
FIREBOX AND BLACK VERTEX
FACIA WITH 1000 RCS DESIGNER
304 STAINLESS GAS GRATE



DESIGN

FIREBOX DIMENSIONS (LxWxH) 1319x387x634mm

FIREBOX MATERIAL BRIGHT ANNEALED 430 STAINLESS

FACIA DIMENSIONS (LxH) 1744x704mm

FACIA MATERIAL POWDER COATED STEEL

GAS BURNER DIMENSIONS (LxWxH) 1160x250x176.5mm

GAS BURNER MATERIAL BRUSHED 304 STAINLESS

WEIGHT 37.0 kg

STRUCTURE KNOCK DOWN

HEAT OUTPUT 16,43 kWh

LEGAL MINIMUM ROOM SIZE 236m³ (WITHOUT PERMANENT VENTILATION)

DETAIL

GAS CONSUMPTION & FUEL TYPE (SEE*1) LPG = 1.19 kg/h / *NG = 59.14 MJ/h
UP TO 550m³

HEATING

IGNITION SYSTEM (SEE*2) ELECTRONIC CONTROL

TYPE OF BURNER J-BURNER x 1

*1 THE CONNECTION TO A LPG / NG GAS INSTALLATION MUST BE DONE BY A SAQCC REGISTERED
GAS PRACTITIONER IN ACCORDANCE WITH SANS 10087-1 FOR LPG AND SANS 827 FOR NG
AND THE OPERATORS MANUAL

*NG REQUIRES A NATURAL GAS CONVERSION KIT - PLEASE ADVISE WHEN PURCHASING

*2 MANUAL/REMOTE CONTROL ELECTRONIC IGNITION

*3 BATTERY BACK UP FOR ELECTRONIC POWER OUTAGE ON TRANSFORMER

*4 THE FIREPLACE COMES COMPLETE WITH EASY TO FOLLOW OPERATORS MANUAL

FEATURES

FLUELESS - NO CHIMNEY REQUIRED, 100% HEAT EFFICIENCY / LOWER BUILDING COSTS

OXYGEN DEPLETION SENSOR - PURPOSE IS TO SHUT THE FIREPLACE OFF WHEN OXYGEN IN
ROOM REACHES SAFETY LIMIT OR WHEN CARBON LEVEL IN THE ROOM IS TOO HIGH

FLAME FAILURE - PURPOSE IS TO SHUT THE FIREPLACE OFF WHEN FLAME GOES OUT

STAINLESS STEEL GAS GRATE - IMPROVED CORROSION RESISTANCE WHERE NEEDED MOST

OPERATING PRESURE TEST POINT - TO ENSURE CORRECT OPERATING PRESSURE ON GRATE

FLUE ATTACHMENT - FIREPLACE CAN BE FLUED (SOLD SEPERATELY)

NOTE-

ONLY USE SYAM PEBBLES OR FIREGLASS WITH THIS FIREPLACE (SOLD SEPERATELY)
THE FIREPLACE REQUIRES SUFFICIENT PRIMARY AIR SUPPLIED (FROM THE INSIDE). THE FIREBOX IS
DESIGNED TO PROVIDE FOR PRIMARY AIR
THIS APPLIANCE SHALL BE FLUED IF USED WHERE PEOPLE ESPECIALLY CHILDREN WITH ASTHMA,
BRONCHIAL OR OTHER RESPIRATORY PROBLEMS MAY BE PRESENT
GAS FIREPLACES ARE NOT PERMITTED TO BE INSTALLED IN BATHROOMS
ONLY FIREPLACES THAT ARE FLUED MAY BE INSTALLED IN BEDROOMS
THE ROOM OR AREA MUST BE VENTILATED ACCORDING TO THE OPERATORS MANUAL AND SANS 10087-1

PACKAGING

1 BOX 25.6 kg	(LxWxH) - 1330x585x220mm	M ³ - 0.17
1 BOX 9.0 kg	(LxWxH) - 1770x730x75mm	M ³ - 0.08
1 BOX 12.5 kg	(LxWxH) - 1290x290x215mm	M ³ - 0.08

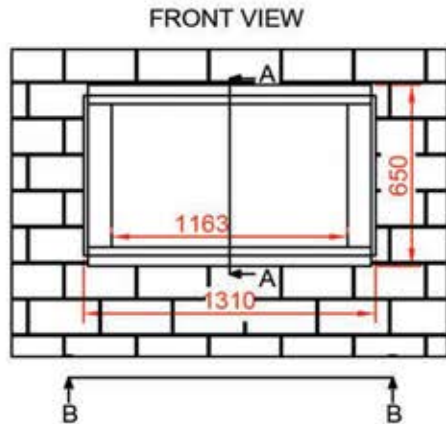


REV 2.1



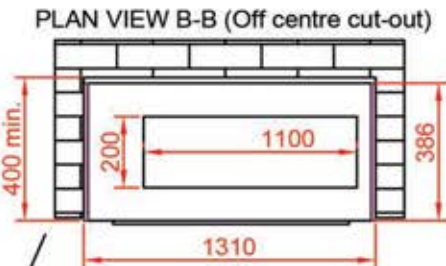
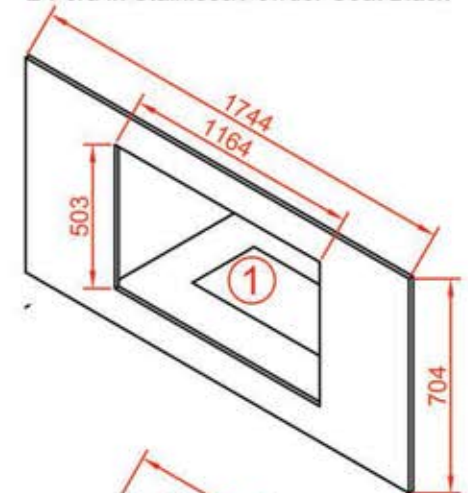
1250 SINGLE STYLUS BUILT IN PLAN. GAS AND BIO FUEL MODELS

FACIAS:
1-Vertex in Stainless/Powder Coat Black.
2-Fera in Stainless/Powder Coat Black

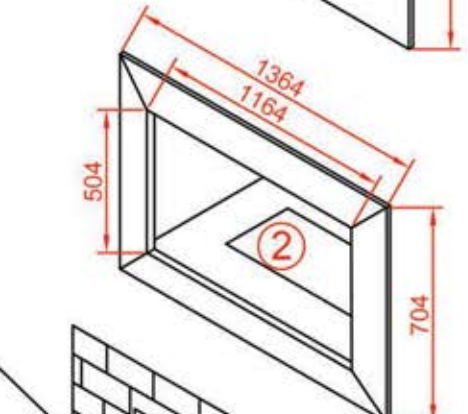
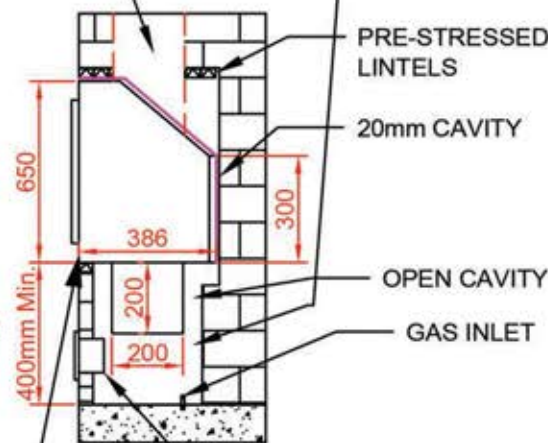


For the flue option, the standard firebox top panel should be replaced with the flue adapter top panel and must be fitted prior to building in. Flue adapter is designed for rectangular flue pipes 300x200mm inside dimensions.

For the flue option, it is imperative that the air in the flue cavity is sealed off from the primary air cavity. This is to prevent downdrafts interfering with the primary air supply, also the ODS will not function effectively if the primary air supply is received from the flue cavity.

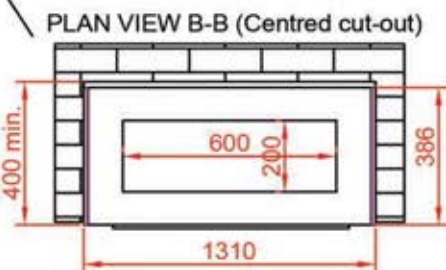


Minimum height from the ground is 400mm min.



CUT OUT SIZES

For Designer Gas Grate (manual system) the standard unequal bottom panel must be fitted prior to building in.



PRIMARY AIR INLET
Do not restrict the gap of 25mm underneath the front of the fireplace, as it provides primary air to the gas grates.

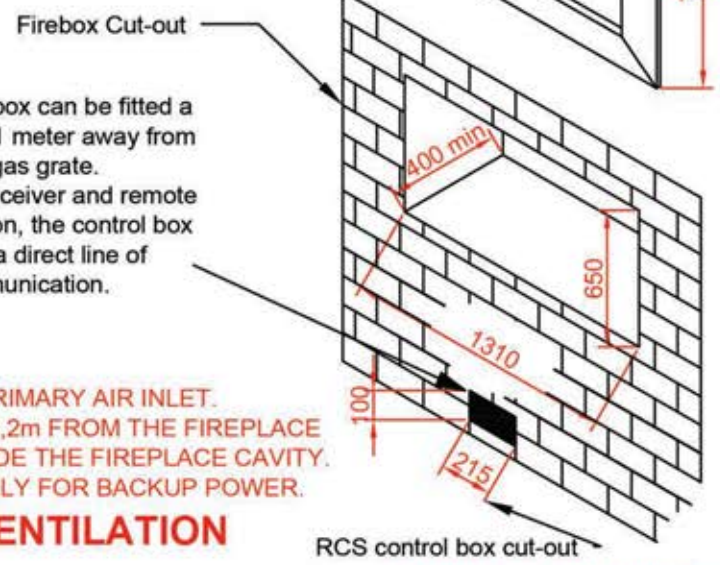
RCS control box can be fitted a maximum of 1 meter away from the gas grate. For optimal receiver and remote communication, the control box requires a direct line of communication.

For RCS Designer Gas Grates and Bio Fuel Grates, the standard unequal bottom panel must be replaced with the equal bottom panel and fitted prior to building in. RCS= Remote Control System

USES SYAM DESIGNER 1000 GRATE

- *THE FACIA IS DESIGNED TO FIT OVER AND COVER THE PRIMARY AIR INLET.
- *THE RCS 6V DC TRANSFORMER REQUIRES A MAX. DISTANCE OF 1,2m FROM THE FIREPLACE CONTROL BOX TO THE 220V PLUG SUPPLY AND SHALL NOT BE INSIDE THE FIREPLACE CAVITY.
- *THE RCS BATTERY PACK REQUIRES 4x AA BATTERIES AND IS ONLY FOR BACKUP POWER.

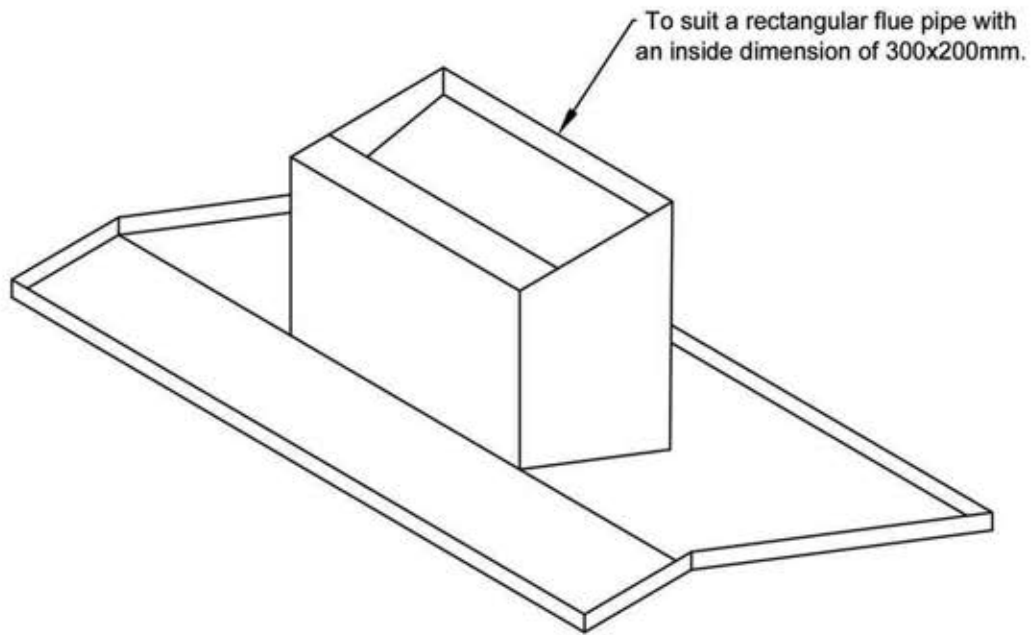
ROOM TO HAVE ADEQUATE CROSS VENTILATION



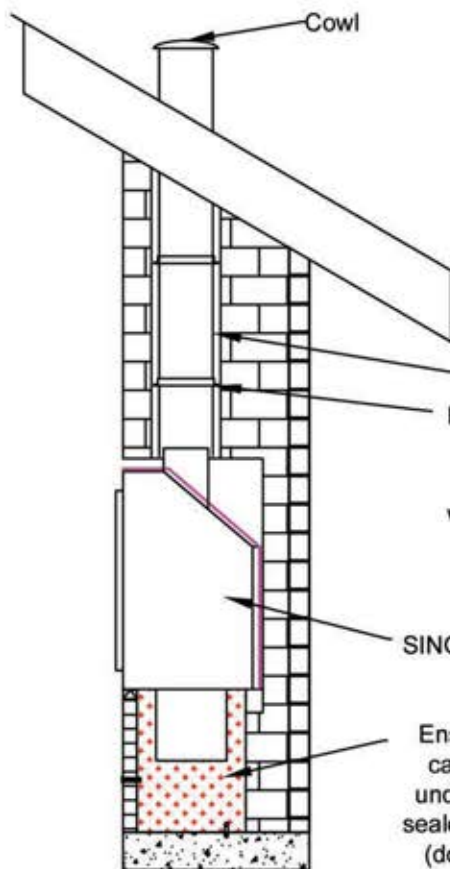
RCS control box cut-out

SYAM SINGLE SIDED STYLUS FIREPLACE FLUE OPTION

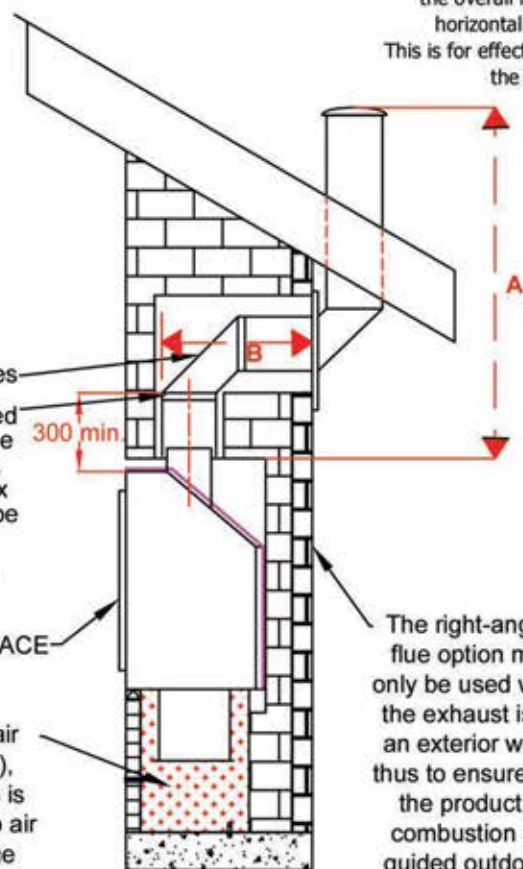
(Bedrooms and bathrooms mandatory for gas)



STRAIGHT FLUE.



RIGHT-ANGLED FLUE.



IMPORTANT
According to requirements the overall vertical height length (A) shall not be less than double (2x) the overall length of the horizontal length (B). This is for effective operation of the flue.

Flue Pipe Length: $A=(\min)2xB$

NOTE:

*THE FLUE ATTACHMENT OPTION IS SOLD SEPERATELY ON REQUEST AND NEEDS TO BE FITTED PRIOR TO BUILDING IN THE FIREPLACE IN
*FLUE PIPES, FITTINGS AND COWLS ARE NOT SUPPLIED

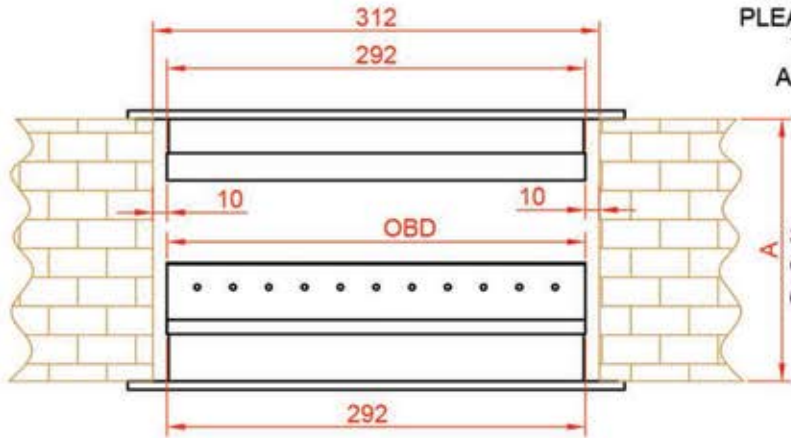


SYAM VENTILATION GRILL DOUBLE SIDED BUILT IN PLAN.

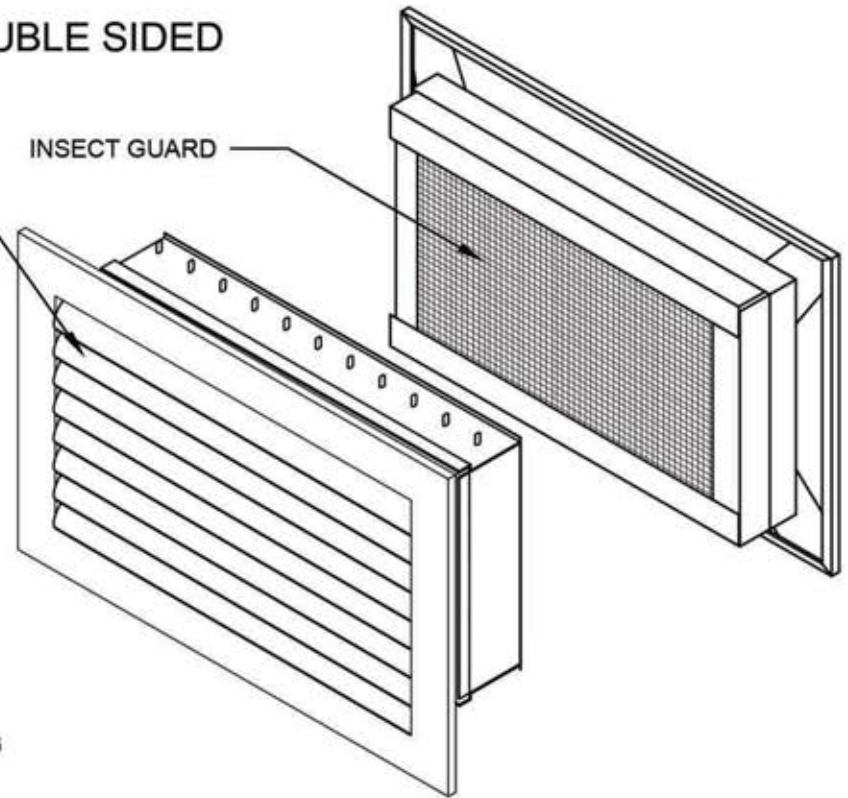
(Optional)

UPON INSTALLATION,
PLEASE ENSURE THAT
THE VENT BLADES
ARE FACING DOWN.

INSECT GUARD

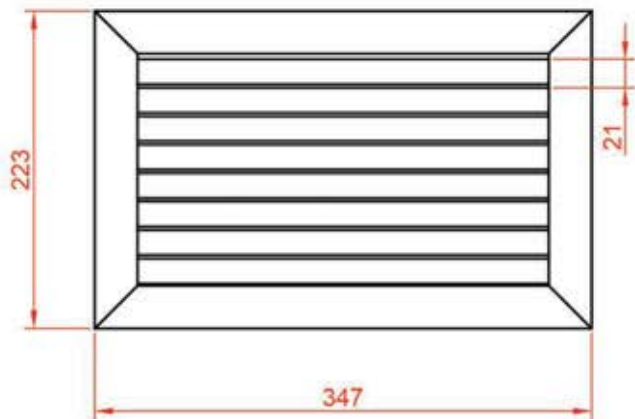


SIZE A VARIES DEPENDING
ON WALL THICKNESS
(MINIMUM OF 140mm)

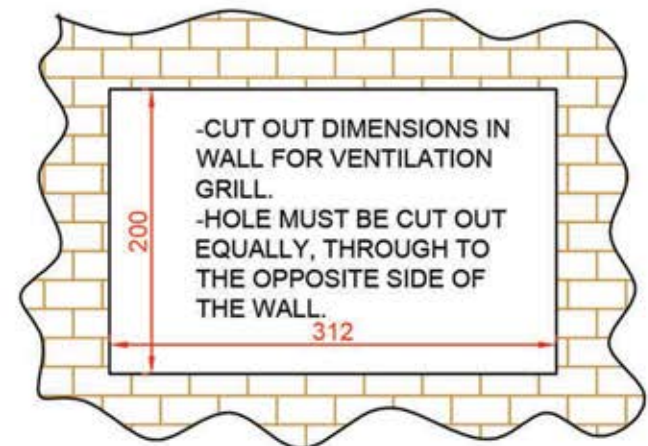
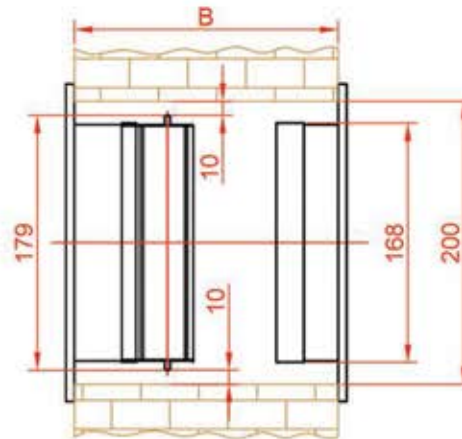


-OBD (OPPOSED BLADE DAMPER) IS
USED TO OPEN AND CLOSE THE VENT.
-THE OBD CAN BE INSTALLED TO
OPEN/ CLOSE THE VENT FROM EITHER
THE INSIDE OR THE OUTSIDE OF THE
BUILDING DEPENDING ON THE
BUILDING PREFERENCE.

SIZE B VARIES DEPENDING
ON WALL THICKNESS
(MINIMUM OF 140mm)



SCALE 1:5



NOTE: VENTILATION GRILLS DOUBLE SIDED ARE SOLD SEPERATELY ON REQUEST.