



'WHEN ONLY THE BEST WILL DO'

ITEM SYAM REMOTE FIREPLACE LPG/NG
750 SS S/STYLUS VERTEX FACIA
BLACK

MODEL F750SSVPB/F750SSVPBNG

STYLE 750 STAINLESS SINGLE STYLUS
FIREBOX AND BLACK VERTEX
FACIA WITH 600 RCS DESIGNER
304 STAINLESS GAS GRATE



DESIGN

FIREBOX DIMENSIONS (LxWxH) 819x387x534mm
 FIREBOX MATERIAL BRIGHT ANNEALED 430 STAINLESS
 FACIA DIMENSIONS (LxH) 1244x604mm
 FACIA MATERIAL POWDER COATED STEEL
 GAS BURNER DIMENSIONS (LxWxH) 660x250x176.5mm
 GAS BURNER MATERIAL BRUSHED 304 STAINLESS
 WEIGHT 25.0 kg
 STRUCTURE KNOCK DOWN
 HEAT OUTPUT 11,18 kWh
 LEGAL MINIMUM ROOM SIZE 160m³ (WITHOUT PERMANENT VENTILATION)

DETAIL

GAS CONSUMPTION & FUEL TYPE (SEE*1) LPG = 0.81 kg/h / *NG = 40.26 MJ/h
 HEATING UP TO 375m³
 IGNITION SYSTEM (SEE*2) ELECTRONIC CONTROL
 TYPE OF BURNER J-BURNER x 1
 *1 THE CONNECTION TO A LPG / NG GAS INSTALLATION MUST BE DONE BY A SAQCC REGISTERED
 GAS PRACTITIONER IN ACCORDANCE WITH SANS 10087-1 FOR LPG AND SANS 827 FOR NG
 AND THE OPERATORS MANUAL
 *NG REQUIRES A NATURAL GAS CONVERSION KIT - PLEASE ADVISE WHEN PURCHASING

*2 MANUAL/REMOTE CONTROL ELECTRONIC IGNITION

*3 BATTERY BACK UP FOR ELECTRONIC POWER OUTAGE ON TRANSFORMER

*4 THE FIREPLACE COMES COMPLETE WITH EASY TO FOLLOW OPERATORS MANUAL

FEATURES

FLUELESS - NO CHIMNEY REQUIRED, 100% HEAT EFFICIENCY / LOWER BUILDING COSTS
OXYGEN DEPLETION SENSOR - PURPOSE IS TO SHUT THE FIREPLACE OFF WHEN OXYGEN IN
 ROOM REACHES SAFETY LIMIT OR WHEN CARBON LEVEL IN THE ROOM IS TOO HIGH
FLAME FAILURE - PURPOSE IS TO SHUT THE FIREPLACE OFF WHEN FLAME GOES OUT
STAINLESS STEEL GAS GRATE - IMPROVED CORROSION RESISTANCE WHERE NEEDED MOST
OPERATING PRESURE TEST POINT - TO ENSURE CORRECT OPERATING PRESSURE ON GRATE
FLUE ATTACHMENT - FIREPLACE CAN BE FLUED (SOLD SEPERATELY)

NOTE-

ONLY USE SYAM PEBBLES OR FIREGLASS WITH THIS FIREPLACE (SOLD SEPERATELY)
 THE FIREPLACE REQUIRES SUFFICIENT PRIMARY AIR SUPPLIED (FROM THE INSIDE). THE FIREBOX IS
 DESIGNED TO PROVIDE FOR PRIMARY AIR
 THIS APPLIANCE SHALL BE FLUED IF USED WHERE PEOPLE ESPECIALLY CHILDREN WITH ASTHMA,
 BRONCHIAL OR OTHER RESPIRATORY PROBLEMS MAY BE PRESENT
GAS FIREPLACES ARE NOT PERMITTED TO BE INSTALLED IN BATHROOMS
ONLY FIREPLACES THAT ARE FLUED MAY BE INSTALLED IN BEDROOMS
 THE ROOM OR AREA MUST BE VENTILATED ACCORDING TO THE OPERATORS MANUAL AND SANS 10087-1

PACKAGING

1 BOX 18.9 kg	(LxWxH) - 825x480x220mm	M ³ - 0.09
1 BOX 6.3 kg	(LxWxH) - 1270x630x60mm	M ³ - 0.05
1 BOX 7.94 kg	(LxWxH) - 800x290x215mm	M ³ - 0.05

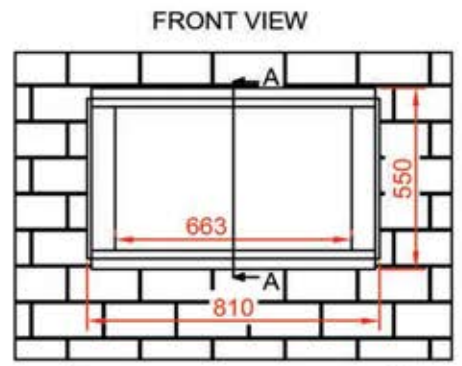


REV 2.1



750 SINGLE STYLUS BUILT IN PLAN. GAS AND BIO FUEL MODELS

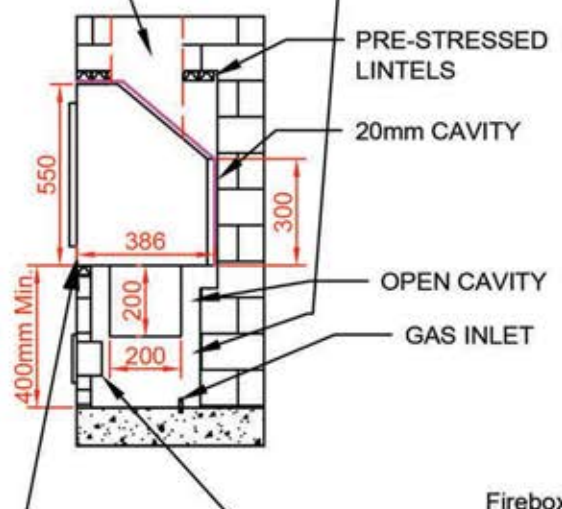
FACIAS:
1-Vertex in Stainless/Powder Coat Black.
2-Fera in Stainless/Powder Coat Black



For the flue option, the standard firebox top panel should be replaced with the flue adapter top panel and must be fitted prior to building in. Flue adapter is designed for rectangular flue pipes 300x200mm inside dimensions.

For the flue option, it is imperative that the air in the flue cavity is sealed off from the primary air cavity. This is to prevent downdrafts interfering with the primary air supply, also the ODS will not function effectively if the primary air supply is received from the flue cavity.

SECTION VIEW A-A



Minimum height from the ground is 400mm min.

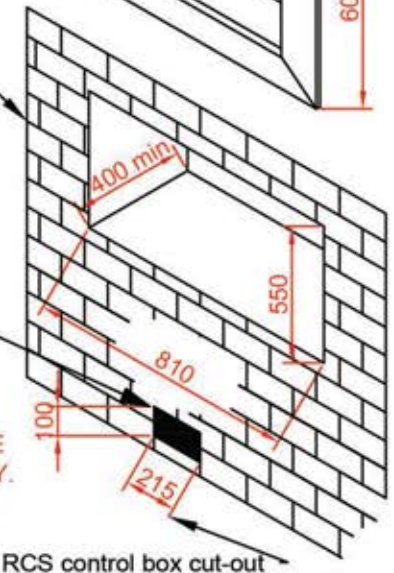
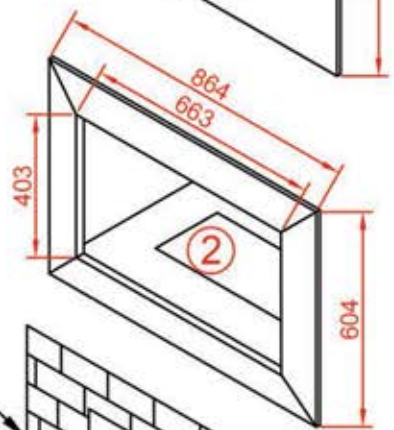
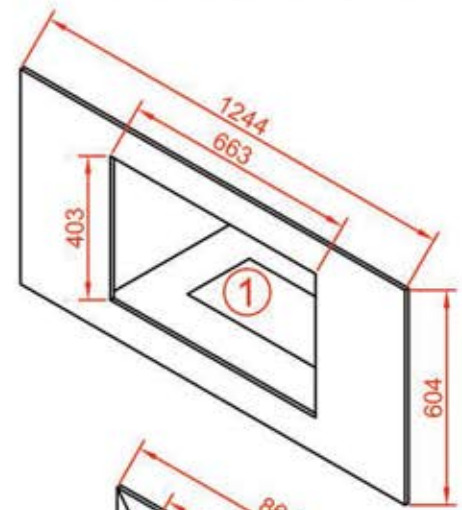
PRIMARY AIR INLET
Do not restrict the gap of 25mm underneath the front of the fireplace, as it provides primary air to the gas grates.

RCS control box can be fitted a maximum of 1 meter away from the gas grate. For optimal receiver and remote communication, the control box requires a direct line of communication.

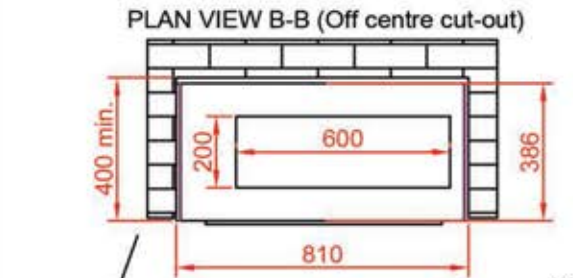
USES SYAM DESIGNER 600 GRATE

- *THE FACIA IS DESIGNED TO FIT OVER AND COVER THE PRIMARY AIR INLET.
- *THE RCS 6V DC TRANSFORMER REQUIRES A MAX. DISTANCE OF 1,2m FROM THE FIREPLACE CONTROL BOX TO THE 220V PLUG SUPPLY AND SHALL NOT BE INSIDE THE FIREPLACE CAVITY.
- *THE RCS BATTERY PACK REQUIRES 4x AA BATTERIES AND IS ONLY FOR BACKUP POWER.

ROOM TO HAVE ADEQUATE CROSS VENTILATION

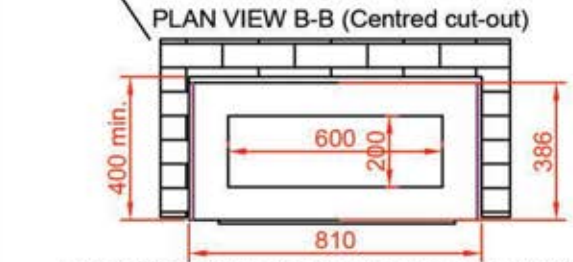


RCS control box cut-out



For Designer Gas Grate (manual system) the standard unequal bottom panel must be fitted prior to building in.

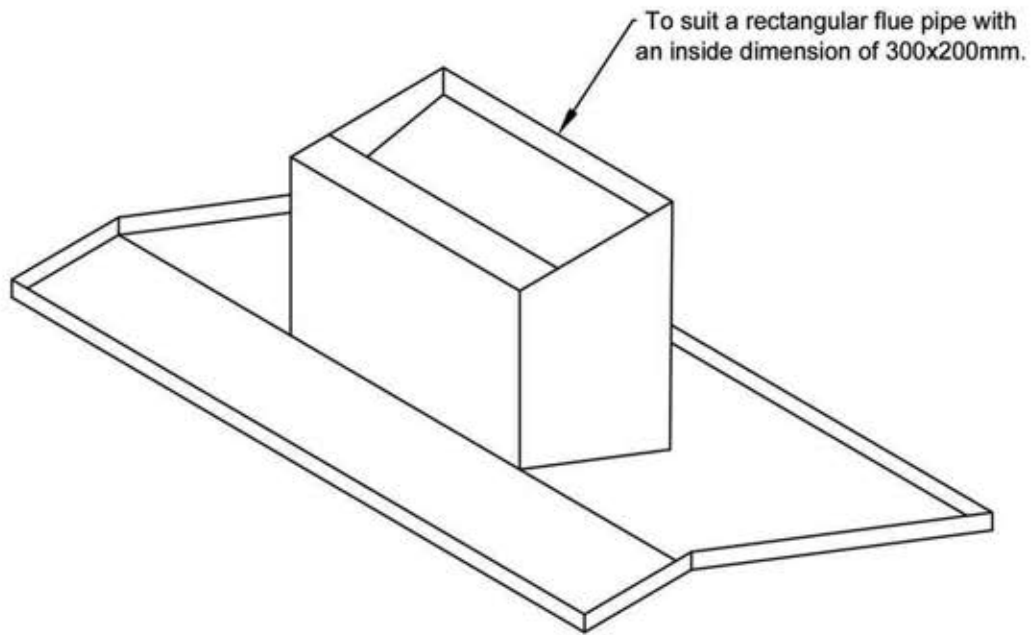
CUT OUT SIZES



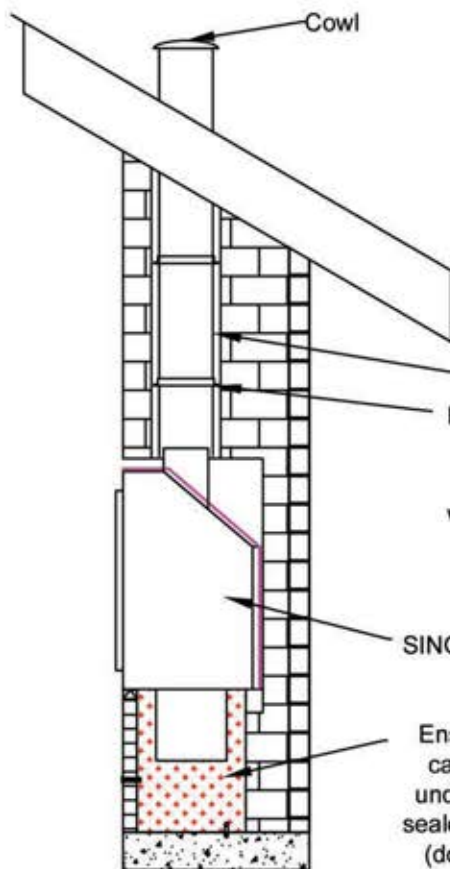
For RCS Designer Gas Grates and Bio Fuel Grates, the standard unequal bottom panel must be replaced with the equal bottom panel and fitted prior to building in.
RCS= Remote Control System

SYAM SINGLE SIDED STYLUS FIREPLACE FLUE OPTION

(Bedrooms and bathrooms mandatory for gas)



STRAIGHT FLUE.



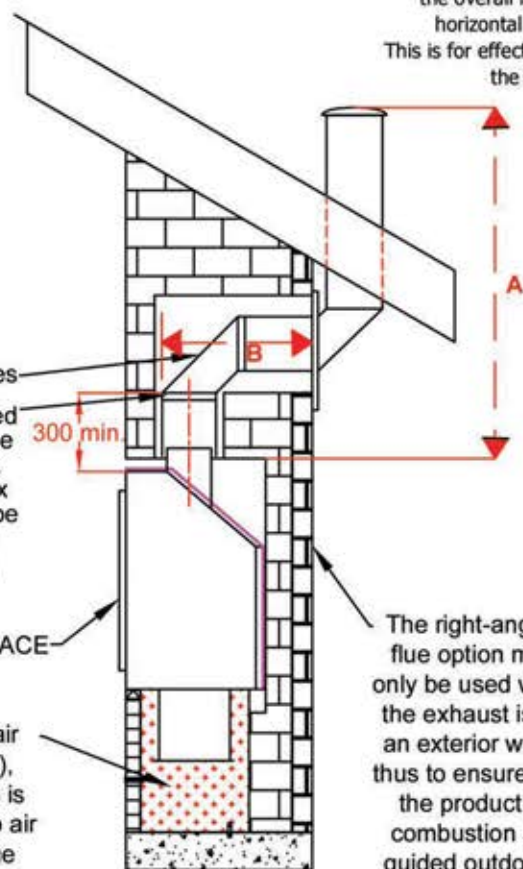
Compatible flue pipes

Brackets are to be used to support the flue pipe inside the flue cavity. Damage to the firebox will result if the flue pipe is supported by the firebox flue adaptor.

SINGLE STYLUS FIREPLACE

Ensure that the primary air cavity, (highlighted area), underneath the gas grate is sealed properly, so that no air (downdrafts) from the flue cavity can interfere with the Co-pilot and ODS.

RIGHT-ANGLED FLUE.



IMPORTANT

According to requirements the overall vertical height length (A) shall not be less than double (2x) the overall length of the horizontal length (B). This is for effective operation of the flue.

The right-angled flue option may only be used when the exhaust is on an exterior walls, thus to ensure that the product of combustion are guided outdoors.

Flue Pipe Length: $A=(\min)2xB$

NOTE:

*THE FLUE ATTACHMENT OPTION IS SOLD SEPERATELY ON REQUEST AND NEEDS TO BE FITTED PRIOR TO BUILDING IN THE FIREPLACE IN

*FLUE PIPES, FITTINGS AND COWLS ARE NOT SUPPLIED

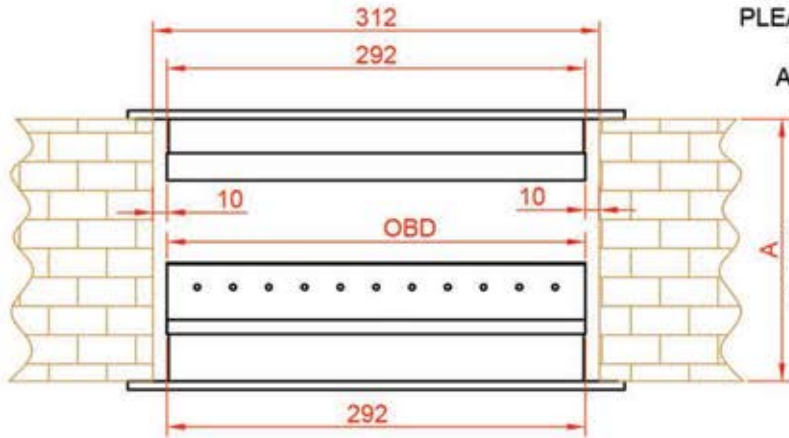


SYAM VENTILATION GRILL DOUBLE SIDED BUILT IN PLAN.

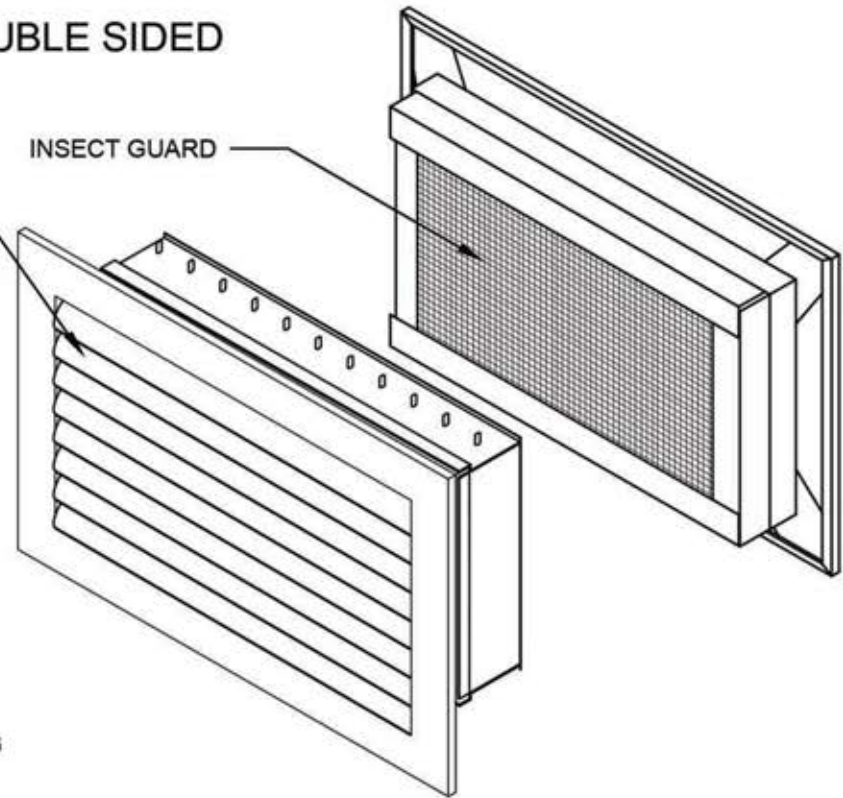
(Optional)

UPON INSTALLATION,
PLEASE ENSURE THAT
THE VENT BLADES
ARE FACING DOWN.

INSECT GUARD

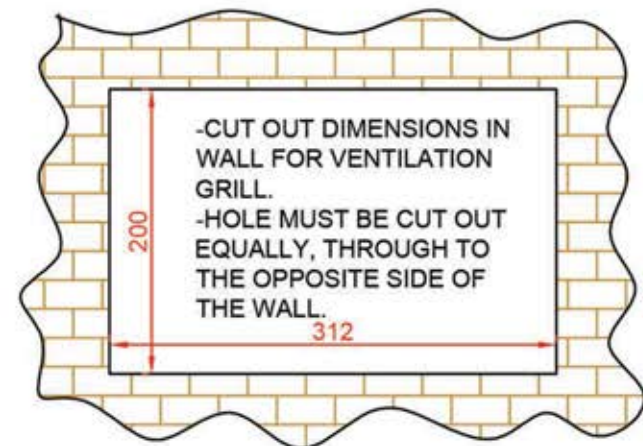
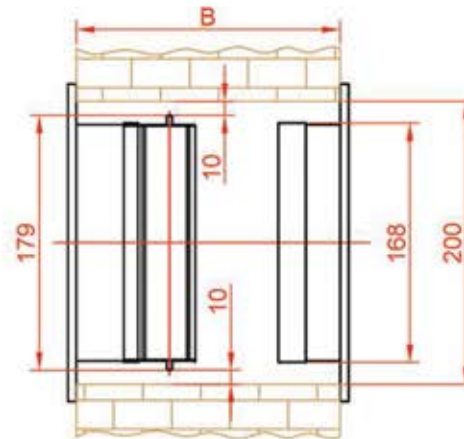
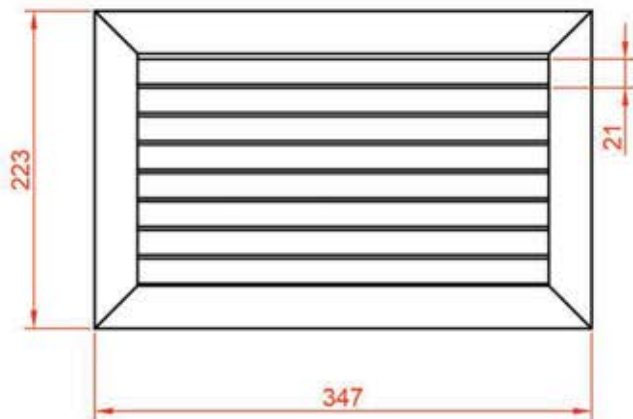


SIZE A VARIES DEPENDING
ON WALL THICKNESS
(MINIMUM OF 140mm)



-OBD (OPPOSED BLADE DAMPER) IS
USED TO OPEN AND CLOSE THE VENT.
-THE OBD CAN BE INSTALLED TO
OPEN/ CLOSE THE VENT FROM EITHER
THE INSIDE OR THE OUTSIDE OF THE
BUILDING DEPENDING ON THE
BUILDING PREFERENCE.

SIZE B VARIES DEPENDING
ON WALL THICKNESS
(MINIMUM OF 140mm)



SCALE 1:5

NOTE: VENTILATION GRILLS DOUBLE SIDED ARE SOLD SEPERATELY ON REQUEST.