



'WHEN ONLY THE BEST WILL DO'

**ITEM** SYAM FIREPLACE BIO 750 SS  
S/STYLUS VERTEX FACIA  
STAINLESS

**MODEL** F750SSVSSBIO

**STYLE** 750 STAINLESS SINGLE STYLUS  
FIREBOX AND STAINLESS  
VERTEX FACIA WITH 600  
DESIGNER STAINLESS BIO  
GRATE



### DESIGN

**FIREBOX DIMENSIONS (LxWxH)** 819x387x534mm  
**FIREBOX MATERIAL** BRIGHT ANNEALED 430 STAINLESS  
**FACIA DIMENSIONS (LxH)** 1244x604mm  
**FACIA MATERIAL** BRUSHED 430 STAINLESS  
**BURNER DIMENSIONS (LxWxH)** 614x214x90mm  
**BURNER MATERIAL** BRUSHED STAINLESS  
**WEIGHT** 35.0 kg  
**STRUCTURE** KNOCK DOWN

### DETAIL

**FUEL** BIOETHANOL  
**FUEL CONSUMPTION** AROUND 0.7 L/h  
**HEATING** UP TO 270m<sup>3</sup>  
**IGNITION** MANUAL  
**BURNER** 1 x DOUBLE LAYERED  
**FUEL CAPACITY** 4.5 L

### FEATURES

**FLUELESS** - NO CHIMNEY REQUIRED, 100% HEAT EFFICIENCY / LOWER BUILDING COSTS  
**IGNITION & FLAME EXTINGUISHING** - FLAME KILLER PROVIDED  
**BURNER HOLDER** - FOR ADDITIONAL SAFETY AGAINST LEAKAGE  
**STAINLESS STEEL GRATE** - IMPROVED CORROSION RESISTANCE WHERE NEEDED MOST  
**ENVIRONMENTALLY FRIENDLY** - SMOKELESS, ODOURLESS AND VISUALLY APPEALING

### NOTE-

SYAM PEBBLES OR FIREGLASS CAN BE PLACED AROUND BURNER FOR AESTHETICS  
AS FIRE CONSUMES OXYGEN, AREA SHOULD BE VENTILATED FOR THE FLOW OF AIR  
BIOETHANOL IS HIGHLY FLAMABLE AND MUST BE STORED SAFELY AWAY AND OUT OF REACH FROM CHILDREN  
IF SWALLOWED MEDICAL ATTENTION SHOULD BE SOUGHT

### PACKAGING

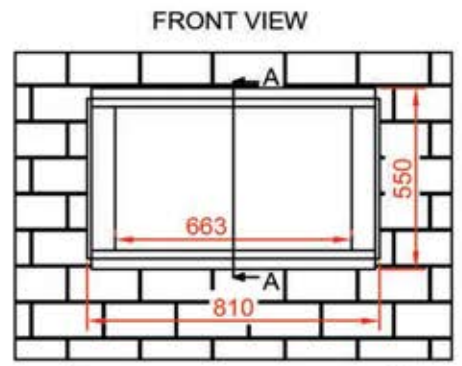
1 BOX 18.9 kg	(LxWxH) - 825x480x220mm	M <sup>3</sup> - 0.09
1 BOX 6.3 kg	(LxWxH) - 1270x630x60mm	M <sup>3</sup> - 0.05
1 BOX 20.0 kg	(LxWxH) - 665x270x170mm	M <sup>3</sup> - 0.03

REV 2.1



# 750 SINGLE STYLUS BUILT IN PLAN. GAS AND BIO FUEL MODELS

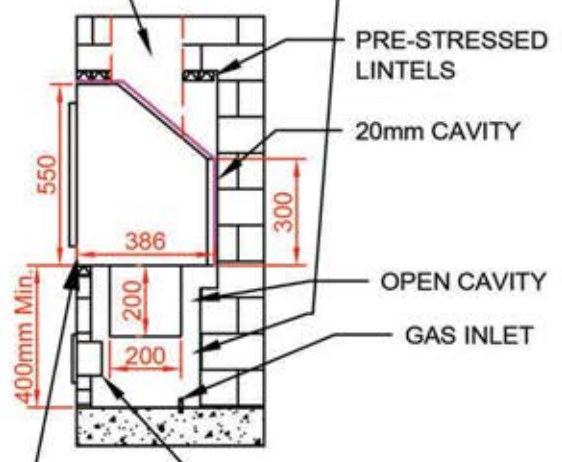
**FACIAS:**  
1-Vertex in Stainless/Powder Coat Black.  
2-Fera in Stainless/Powder Coat Black



For the flue option, the standard firebox top panel should be replaced with the flue adapter top panel and must be fitted prior to building in. Flue adapter is designed for rectangular flue pipes 300x200mm inside dimensions.

For the flue option, it is imperative that the air in the flue cavity is sealed off from the primary air cavity. This is to prevent downdrafts interfering with the primary air supply, also the ODS will not function effectively if the primary air supply is received from the flue cavity.

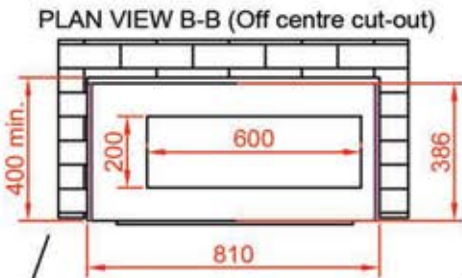
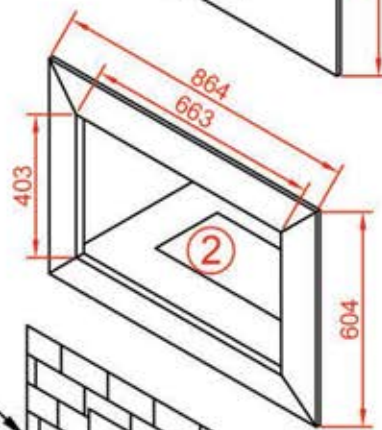
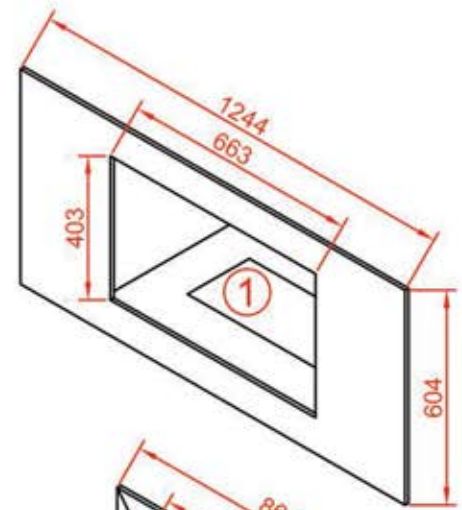
### SECTION VIEW A-A



Minimum height from the ground is 400mm min.

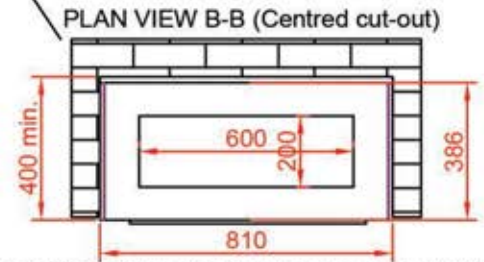
**PRIMARY AIR INLET**  
Do not restrict the gap of 25mm underneath the front of the fireplace, as it provides primary air to the gas grates.

RCS control box can be fitted a maximum of 1 meter away from the gas grate. For optimal receiver and remote communication, the control box requires a direct line of communication.



For Designer Gas Grate (manual system) the standard unequal bottom panel must be fitted prior to building in.

CUT OUT SIZES



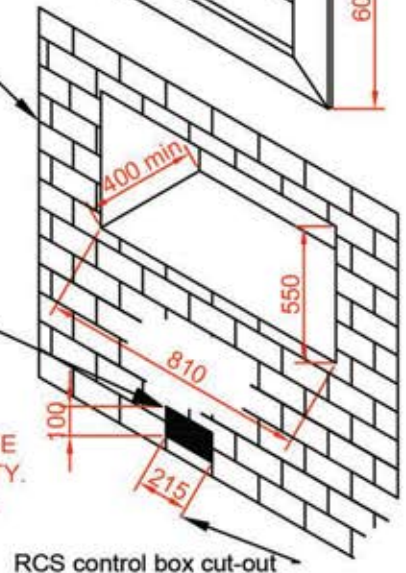
For RCS Designer Gas Grates and Bio Fuel Grates, the standard unequal bottom panel must be replaced with the equal bottom panel and fitted prior to building in.  
RCS= Remote Control System

USES SYAM DESIGNER 600 GRATE

- \*THE FACIA IS DESIGNED TO FIT OVER AND COVER THE PRIMARY AIR INLET.
- \*THE RCS 6V DC TRANSFORMER REQUIRES A MAX. DISTANCE OF 1,2m FROM THE FIREPLACE CONTROL BOX TO THE 220V PLUG SUPPLY AND SHALL NOT BE INSIDE THE FIREPLACE CAVITY.
- \*THE RCS BATTERY PACK REQUIRES 4x AA BATTERIES AND IS ONLY FOR BACKUP POWER.

**ROOM TO HAVE ADEQUATE CROSS VENTILATION**

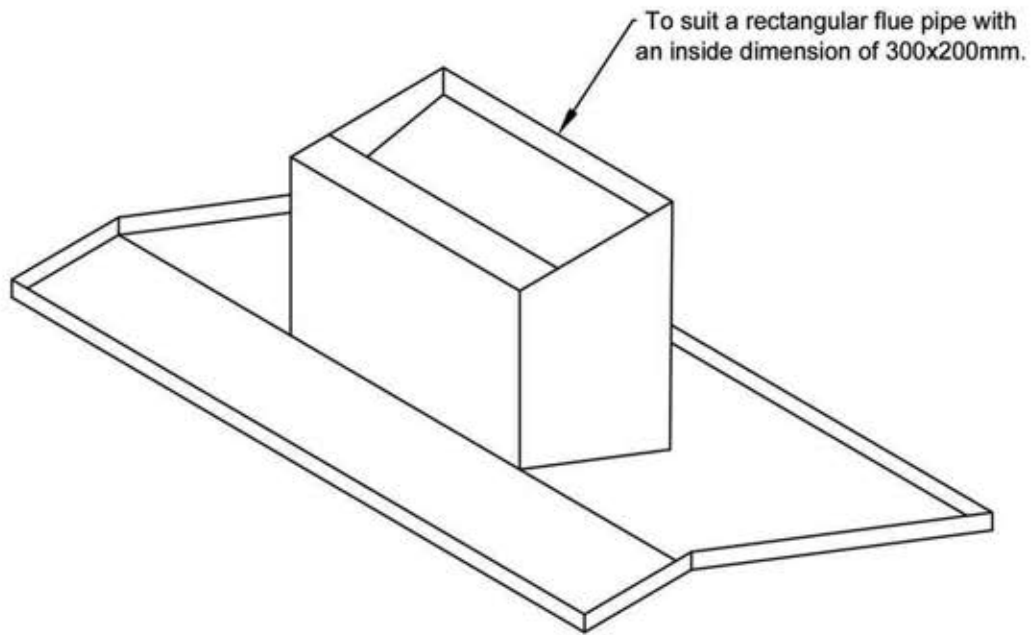
Firebox Cut-out



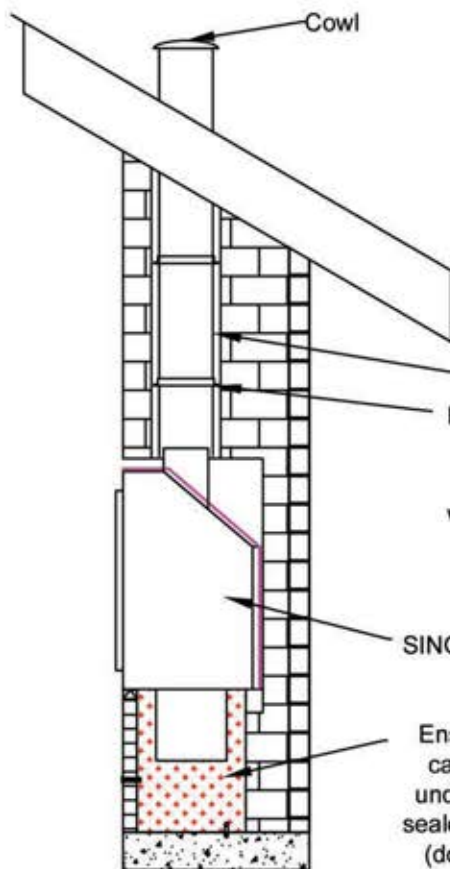
RCS control box cut-out

# SYAM SINGLE SIDED STYLUS FIREPLACE FLUE OPTION

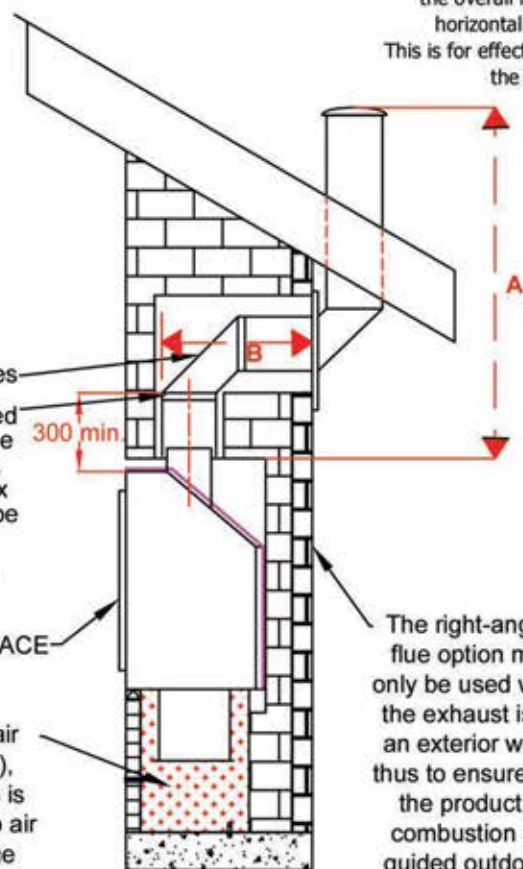
(Bedrooms and bathrooms mandatory for gas)



## STRAIGHT FLUE.



## RIGHT-ANGLED FLUE.



**IMPORTANT**  
According to requirements the overall vertical height length (A) shall not be less than double (2x) the overall length of the horizontal length (B). This is for effective operation of the flue.

**Flue Pipe Length:  $A=(\min)2xB$**

**NOTE:**

\*THE FLUE ATTACHMENT OPTION IS SOLD SEPERATELY ON REQUEST AND NEEDS TO BE FITTED PRIOR TO BUILDING IN THE FIREPLACE IN  
\*FLUE PIPES, FITTINGS AND COWLS ARE NOT SUPPLIED

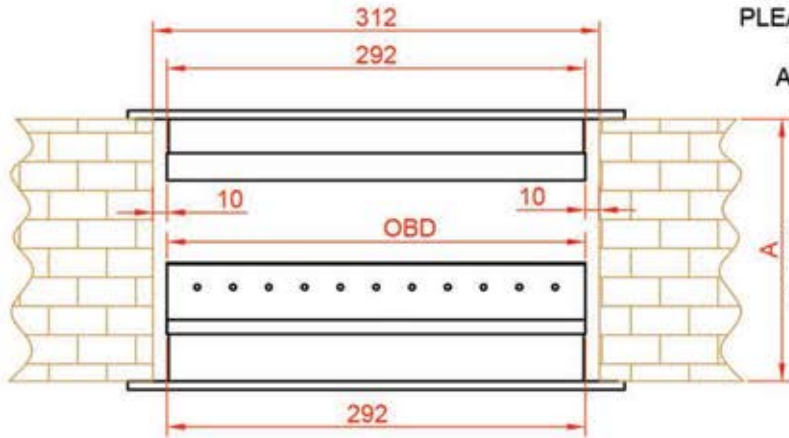


# SYAM VENTILATION GRILL DOUBLE SIDED BUILT IN PLAN.

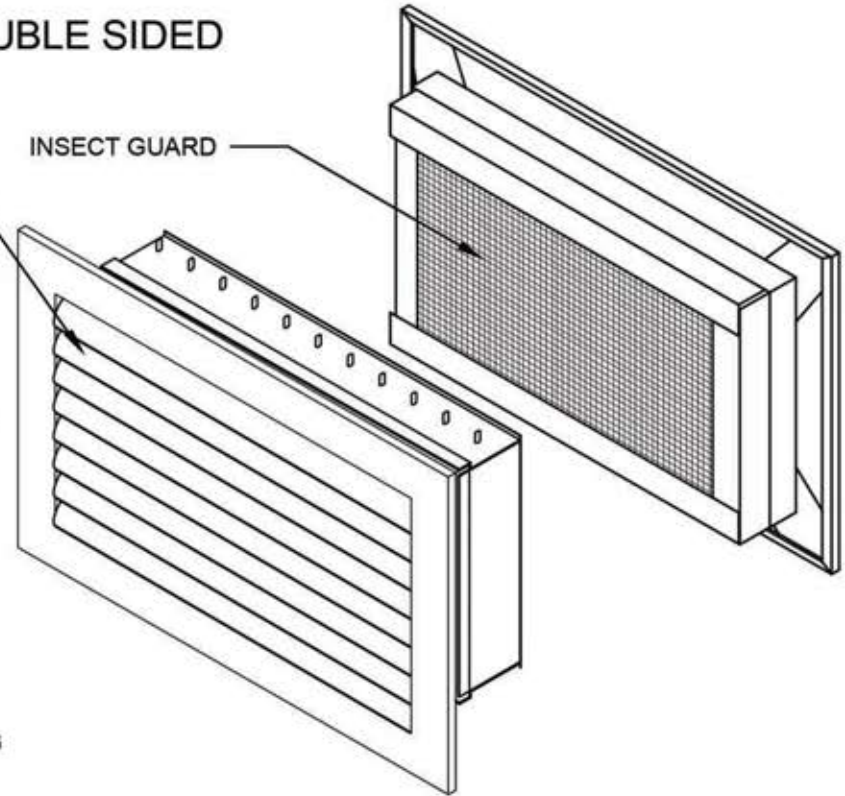
(Optional)

UPON INSTALLATION,  
PLEASE ENSURE THAT  
THE VENT BLADES  
ARE FACING DOWN.

INSECT GUARD

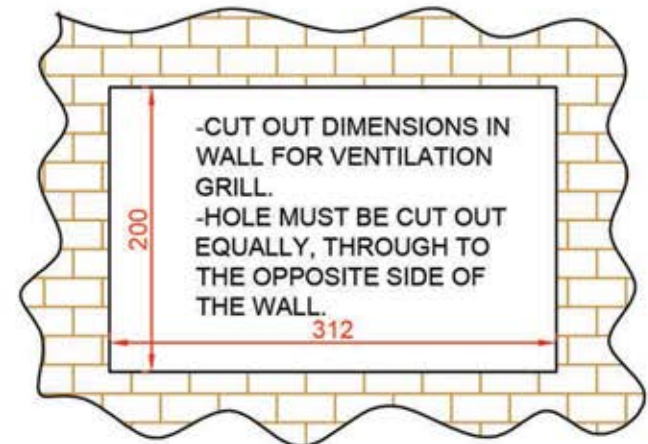
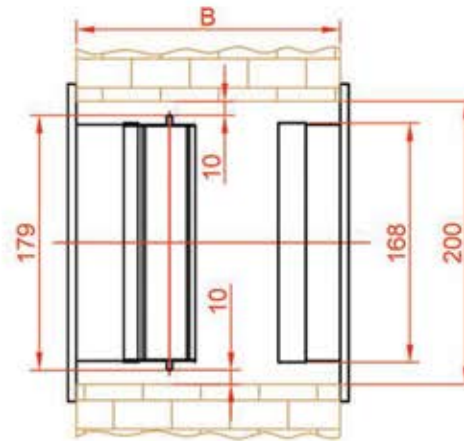
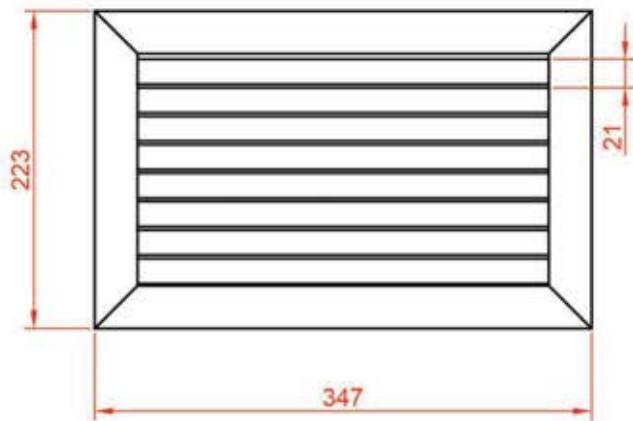


SIZE A VARIES DEPENDING  
ON WALL THICKNESS  
(MINIMUM OF 140mm)



-OBD (OPPOSED BLADE DAMPER) IS  
USED TO OPEN AND CLOSE THE VENT.  
-THE OBD CAN BE INSTALLED TO  
OPEN/ CLOSE THE VENT FROM EITHER  
THE INSIDE OR THE OUTSIDE OF THE  
BUILDING DEPENDING ON THE  
BUILDING PREFERENCE.

SIZE B VARIES DEPENDING  
ON WALL THICKNESS  
(MINIMUM OF 140mm)



SCALE 1:5

NOTE: VENTILATION GRILLS DOUBLE SIDED ARE SOLD SEPERATELY ON REQUEST.