



'WHEN ONLY THE BEST WILL DO'

ITEM SYAM FIREPLACE BIO 950 SS
S/STYLUS VERTEX FACIA
STAINLESS

MODEL F950SSVSSBIO

STYLE 950 STAINLESS SINGLE STYLUS
FIREBOX AND STAINLESS
VERTEX FACIA WITH 800
DESIGNER STAINLESS BIO
GRATE



DESIGN

FIREBOX DIMENSIONS (LxWxH)	1019x387x534mm
FIREBOX MATERIAL	BRIGHT ANNEALED 430 STAINLESS
FACIA DIMENSIONS (LxH)	1444x604mm
FACIA MATERIAL	BRUSHED 430 STAINLESS
BURNER DIMENSIONS (LxWxH)	814x214x90mm
BURNER MATERIAL	BRUSHED STAINLESS
WEIGHT	43.0 kg
STRUCTURE	KNOCK DOWN

DETAIL

FUEL	BIOETHANOL
FUEL CONSUMPTION	AROUND 0.8 L/h
HEATING	UP TO 320m ³
IGNITION	MANUAL
BURNER	1 x DOUBLE LAYERED
FUEL CAPACITY	6.3 L

FEATURES

FLUELESS - NO CHIMNEY REQUIRED, 100% HEAT EFFICIENCY / LOWER BUILDING COSTS
IGNITION & FLAME EXTINGUISHING - FLAME KILLER PROVIDED
BURNER HOLDER - FOR ADDITIONAL SAFETY AGAINST LEAKAGE
STAINLESS STEEL GRATE - IMPROVED CORROSION RESISTANCE WHERE NEEDED MOST
ENVIRONMENTALLY FRIENDLY - SMOKELESS, ODOURLESS AND VISUALLY APPEALING

NOTE-

SYAM PEBBLES OR FIREGLASS CAN BE PLACED AROUND BURNER FOR AESTHETICS
AS FIRE CONSUMES OXYGEN, AREA SHOULD BE VENTILATED FOR THE FLOW OF AIR
BIOETHANOL IS HIGHLY FLAMABLE AND MUST BE STORED SAFELY AWAY AND OUT OF REACH FROM CHILDREN
IF SWALLOWED MEDICAL ATTENTION SHOULD BE SOUGHT

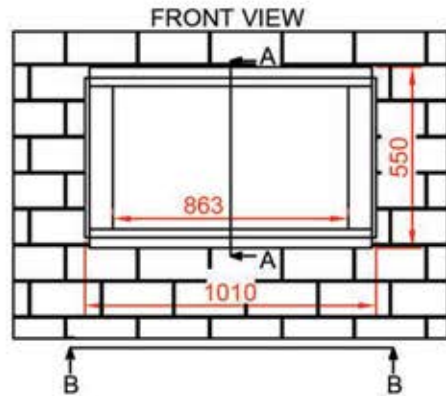
PACKAGING

1 BOX 22.0 kg	(LxWxH) - 1020x475x220mm	M ³ - 0.11
1 BOX 7.0 kg	(LxWxH) - 1470x630x60mm	M ³ - 0.06
1 BOX 23.0 kg	(LxWxH) - 865x270x170mm	M ³ - 0.04

REV 2.1



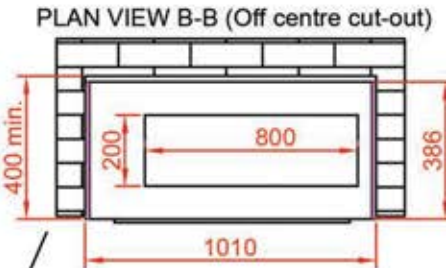
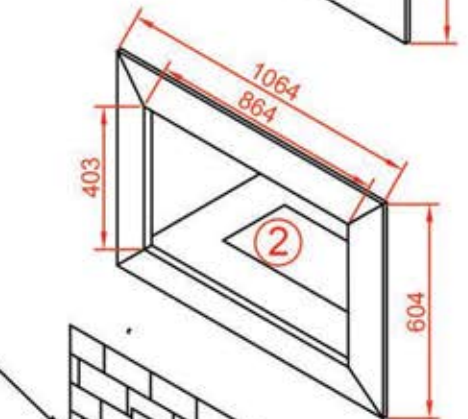
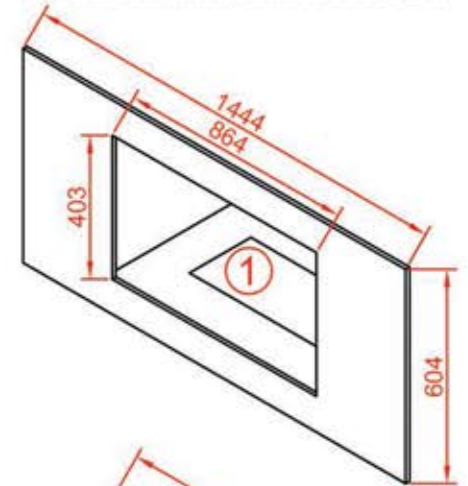
950 SINGLE STYLUS BUILT IN PLAN. GAS AND BIO FUEL MODELS



For the flue option, the standard firebox top panel should be replaced with the flue adapter top panel and must be fitted prior to building in. Flue adapter is designed for rectangular flue pipes 300x200mm inside dimensions.

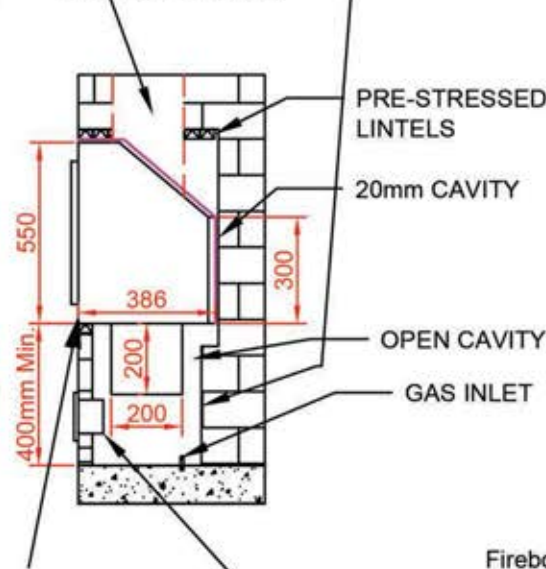
For the flue option, it is imperative that the air in the flue cavity is sealed off from the primary air cavity. This is to prevent downdrafts interfering with the primary air supply, also the ODS will not function effectively if the primary air supply is received from the flue cavity.

FACIAS:
1-Vertex in Stainless/Powder Coat Black.
2-Fera in Stainless/Powder Coat Black



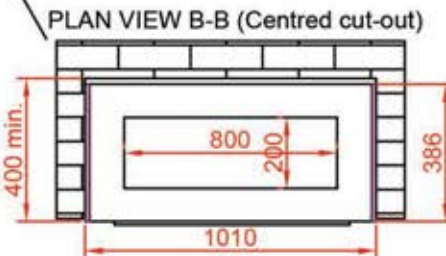
Minimum height from the ground is 400mm min.

SECTION VIEW A-A



CUT OUT SIZES

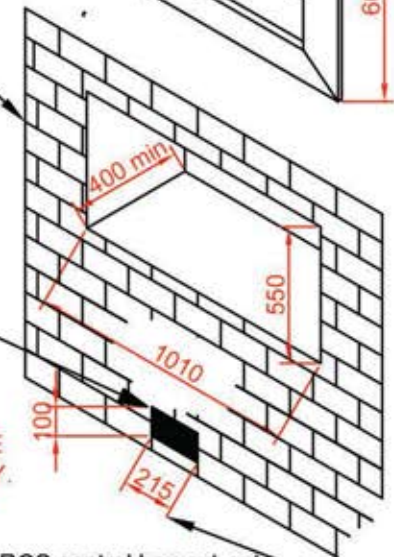
For Designer Gas Grate (manual system) the standard unequal bottom panel must be fitted prior to building in.



PRIMARY AIR INLET
Do not restrict the gap of 25mm underneath the front of the fireplace, as it provides primary air to the gas grates.

RCS control box can be fitted a maximum of 1 meter away from the gas grate. For optimal receiver and remote communication, the control box requires a direct line of communication.

Firebox Cut-out



For RCS Designer Gas Grates and Bio Fuel Grates, the standard unequal bottom panel must be replaced with the equal bottom panel and fitted prior to building in.
RCS= Remote Control System

USES SYAM DESIGNER 800 GRATE

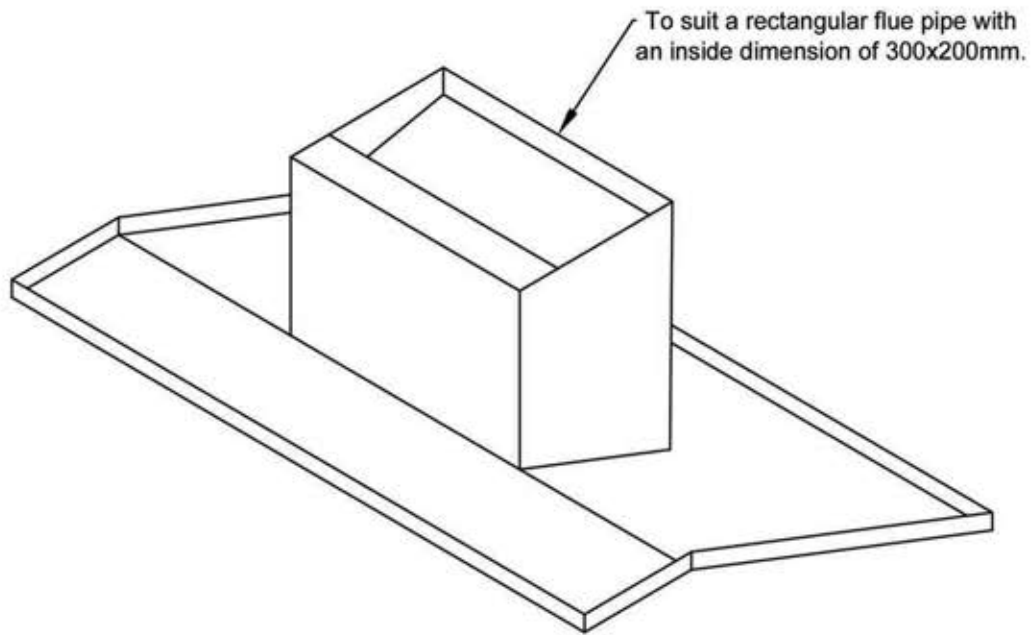
- *THE FACIA IS DESIGNED TO FIT OVER AND COVER THE PRIMARY AIR INLET.
- *THE RCS 6V DC TRANSFORMER REQUIRES A MAX. DISTANCE OF 1,2m FROM THE FIREPLACE CONTROL BOX TO THE 220V PLUG SUPPLY AND SHALL NOT BE INSIDE THE FIREPLACE CAVITY.
- *THE RCS BATTERY PACK REQUIRES 4x AA BATTERIES AND IS ONLY FOR BACKUP POWER.

ROOM TO HAVE ADEQUATE CROSS VENTILATION

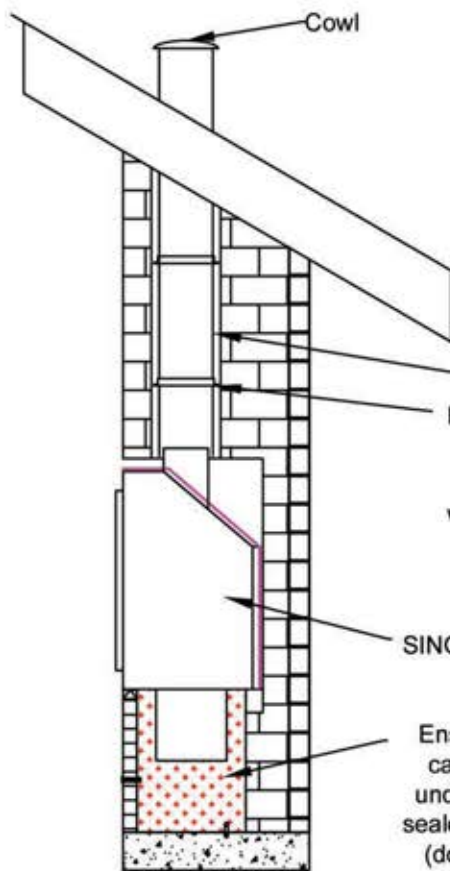
RCS control box cut-out

SYAM SINGLE SIDED STYLUS FIREPLACE FLUE OPTION

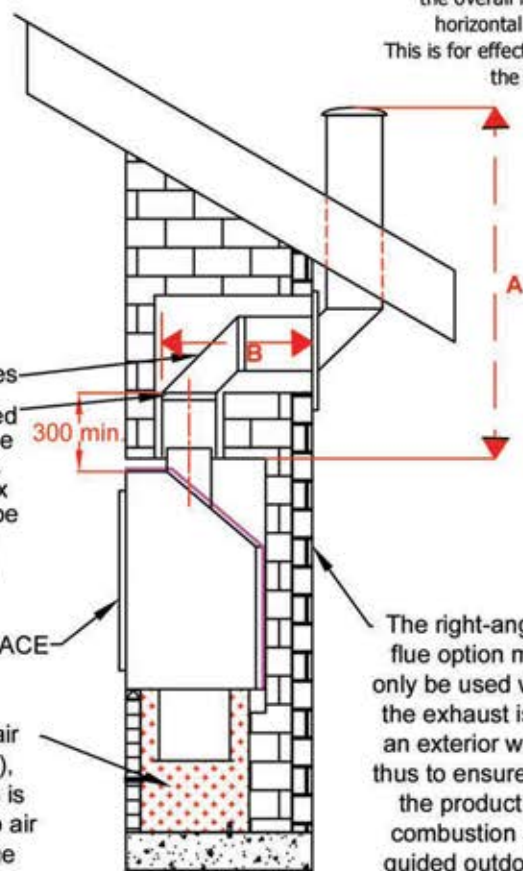
(Bedrooms and bathrooms mandatory for gas)



STRAIGHT FLUE.



RIGHT-ANGLED FLUE.



IMPORTANT
According to requirements the overall vertical height length (A) shall not be less than double (2x) the overall length of the horizontal length (B). This is for effective operation of the flue.

Flue Pipe Length: $A=(\min)2xB$

NOTE:

*THE FLUE ATTACHMENT OPTION IS SOLD SEPERATELY ON REQUEST AND NEEDS TO BE FITTED PRIOR TO BUILDING IN THE FIREPLACE IN

*FLUE PIPES, FITTINGS AND COWLS ARE NOT SUPPLIED

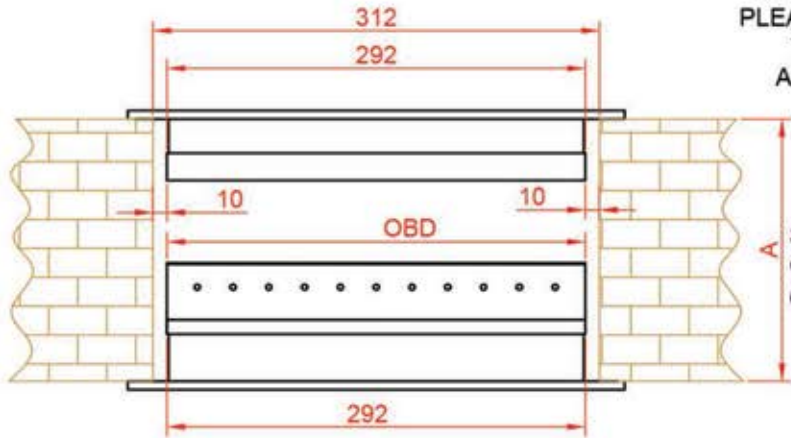


SYAM VENTILATION GRILL DOUBLE SIDED BUILT IN PLAN.

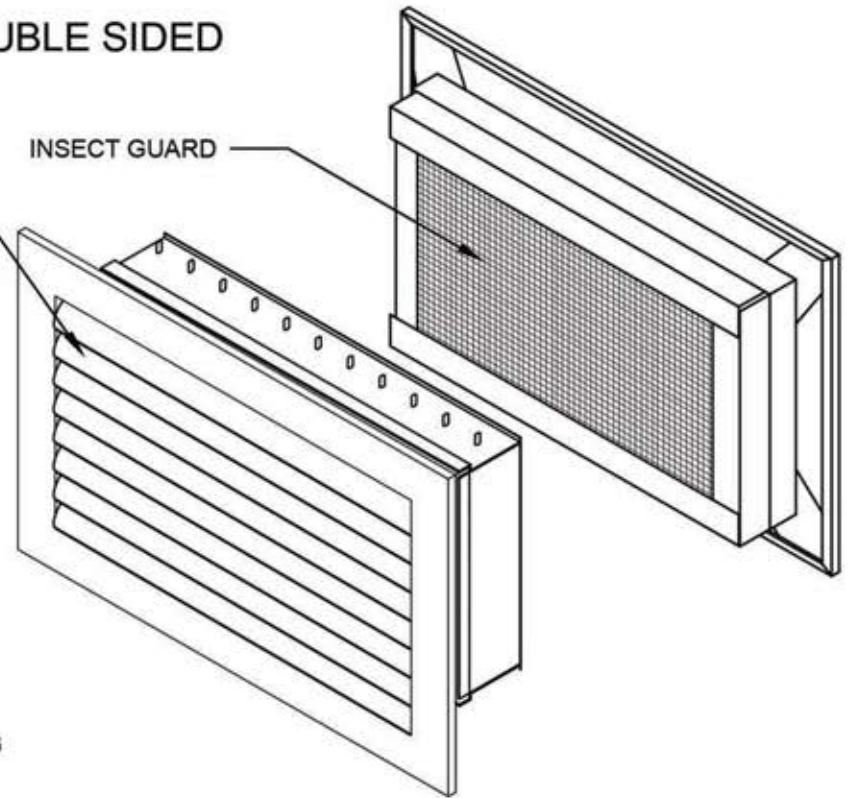
(Optional)

UPON INSTALLATION,
PLEASE ENSURE THAT
THE VENT BLADES
ARE FACING DOWN.

INSECT GUARD

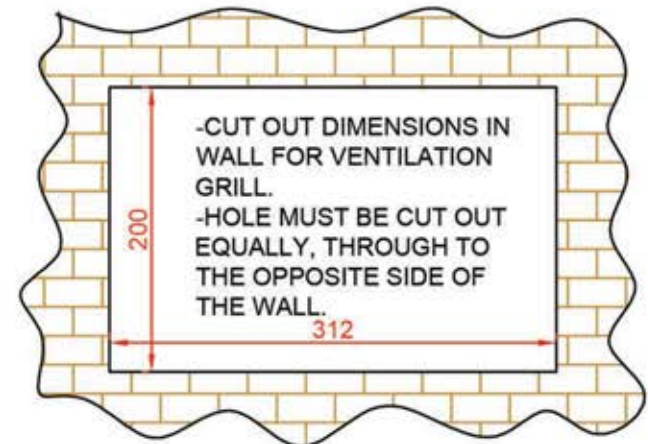
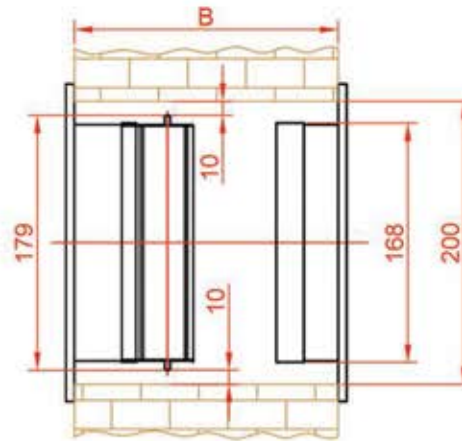
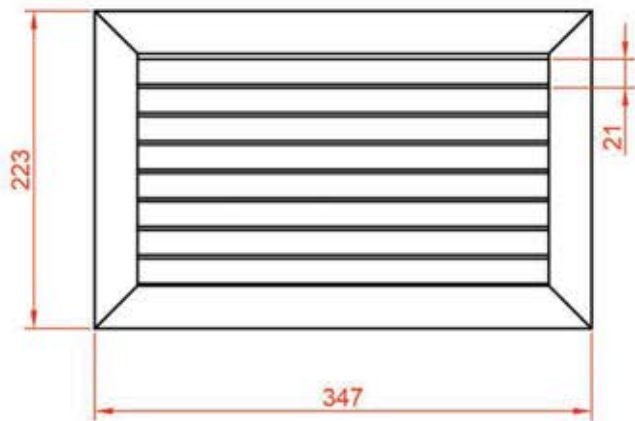


SIZE A VARIES DEPENDING
ON WALL THICKNESS
(MINIMUM OF 140mm)



-OBD (OPPOSED BLADE DAMPER) IS
USED TO OPEN AND CLOSE THE VENT.
-THE OBD CAN BE INSTALLED TO
OPEN/ CLOSE THE VENT FROM EITHER
THE INSIDE OR THE OUTSIDE OF THE
BUILDING DEPENDING ON THE
BUILDING PREFERENCE.

SIZE B VARIES DEPENDING
ON WALL THICKNESS
(MINIMUM OF 140mm)



SCALE 1:5

NOTE: VENTILATION GRILLS DOUBLE SIDED ARE SOLD SEPERATELY ON REQUEST.