



# SYAM

'WHEN ONLY THE BEST WILL DO'

ITEM SYAM DESIGNER LPG/NG 800 GAS  
STAINLESS

MODEL FU800PEB/FN800PEB

STYLE 800 STAINLESS GRATE WITH  
EASY ACCESSIBLE HIDDEN SELF  
IGNITION CONTROL

## DESIGN

DIMENSIONS (LxWxH) 860x250x230mm  
MATERIAL BRUSHED 304 STAINLESS  
WEIGHT 8.0 kg  
STRUCTURE WELDED / FULL ASSEMBLED  
HEAT OUTPUT 11,13 kWh  
LEGAL MINIMUM ROOM SIZE 160m<sup>3</sup> (WITHOUT PERMANENT VENTILATION)

## DETAIL

GAS CONSUMPTION & FUEL TYPE (SEE\*1) LPG = 0.80 kg/h /\*NG = 39.76 MJ/h  
HEATING UP TO 370m<sup>3</sup>  
IGNITION SYSTEM (SEE\*2) SELF IGNITION  
TYPE OF BURNER J-BURNER x 1

\*1 THE CONNECTION TO A LPG / \*NG GAS INSTALLATION MUST BE DONE BY A SAQCC REGISTERED  
GAS PRACTITIONER IN ACCORDANCE WITH SANS 10087-1 FOR LPG AND SANS 827 FOR NG  
AND THE OPERATORS MANUAL

\*NG REQUIRES A NATURAL GAS CONVERSION KIT - PLEASE ADVISE WHEN PURCHASING

\*2 PIEZO SPARK IGNITION SYSTEM

\*3 THE FIREPLACE COMES COMPLETE WITH EASY TO FOLLOW OPERATORS MANUAL

## FEATURES

**FLUELESS** - NO CHIMNEY REQUIRED, 100% HEAT EFFICIENCY / LOWER BUILDING COSTS

**OXYGEN DEPLETION SENSOR** - PURPOSE IS TO SHUT THE FIREPLACE OFF WHEN OXYGEN IN  
ROOM REACHES SAFETY LIMIT OR WHEN CARBON LEVEL IN THE ROOM IS TOO HIGH

**FLAME FAILURE** - PURPOSE IS TO SHUT THE FIREPLACE OFF WHEN FLAME GOES OUT

**STAINLESS STEEL GAS GRATE** - IMPROVED CORROSION RESISTANCE WHERE NEEDED MOST  
**OPERATING PRESSURE TEST POINT** - TO ENSURE CORRECT OPERATING PRESSURE ON  
GRATE

### NOTE-

ONLY USE SYAM PEBBLES OR FIREGLASS WITH THIS FIREPLACE (SOLD SEPERATELY)  
THE FIREPLACE REQUIRES SUFFICIENT PRIMARY AIR SUPPLIED (FROM THE INSIDE). A STAINLESS COVER  
PLATE FOR THE PRIMARY AIR VENT IS SUPPLIED WITH THE GRATE FOR THIS PURPOSE  
THIS APPLIANCE SHALL BE FLUED IF USED WHERE PEOPLE ESPECIALLY CHILDREN WITH ASTHMA,  
BRONCHIAL OR OTHER RESPIRATORY PROBLEMS MAY BE PRESENT

**ONLY FIREPLACES THAT ARE FLUED MAY BE INSTALED IN BEDROOMS**

**GAS FIREPLACES ARE NOT PERMITTED TO BE INSTALLED IN BATHROOMS**

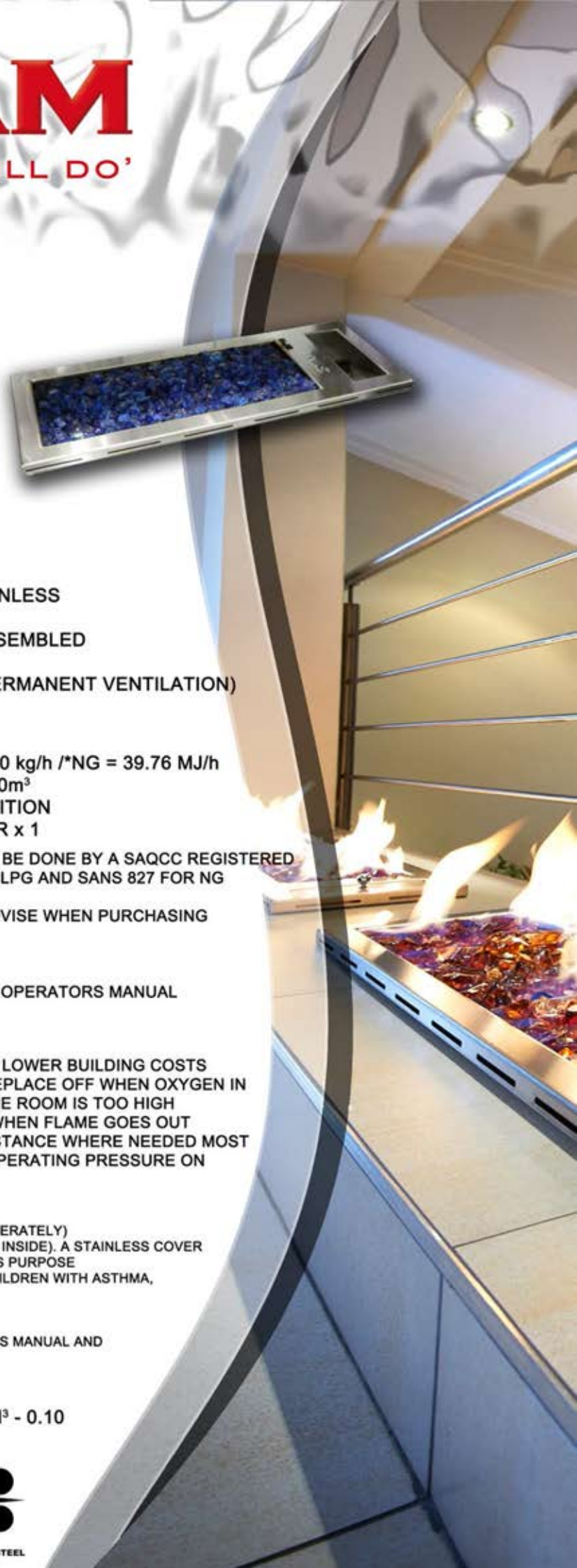
THE ROOM OR AREA MUST BE VENTILATED ACCORDING TO THE OPERATORS MANUAL AND  
SANS 10087-1

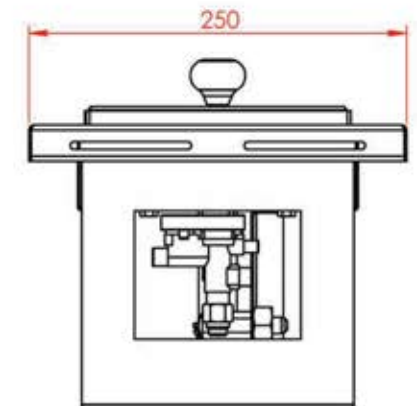
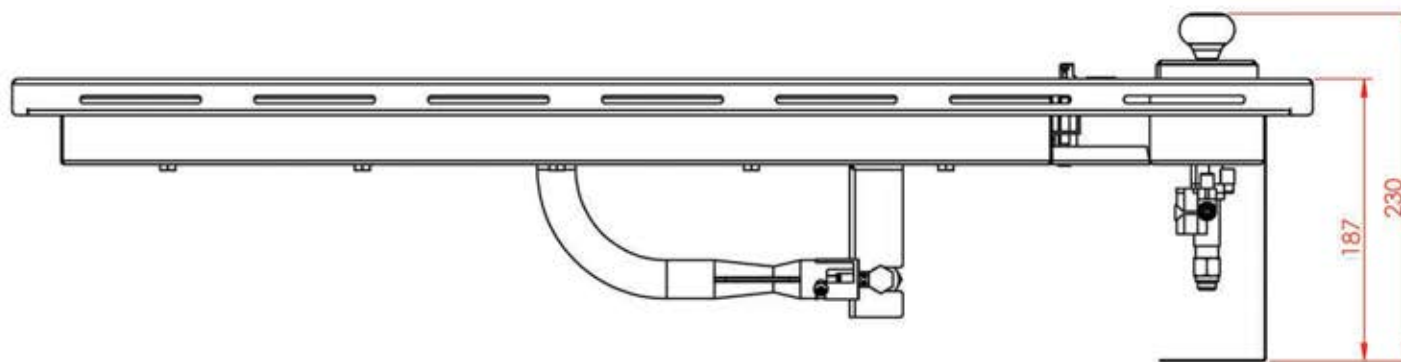
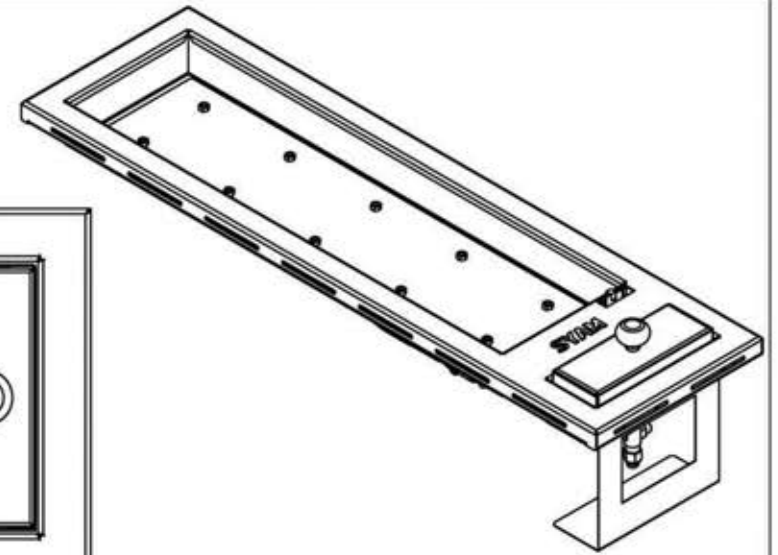
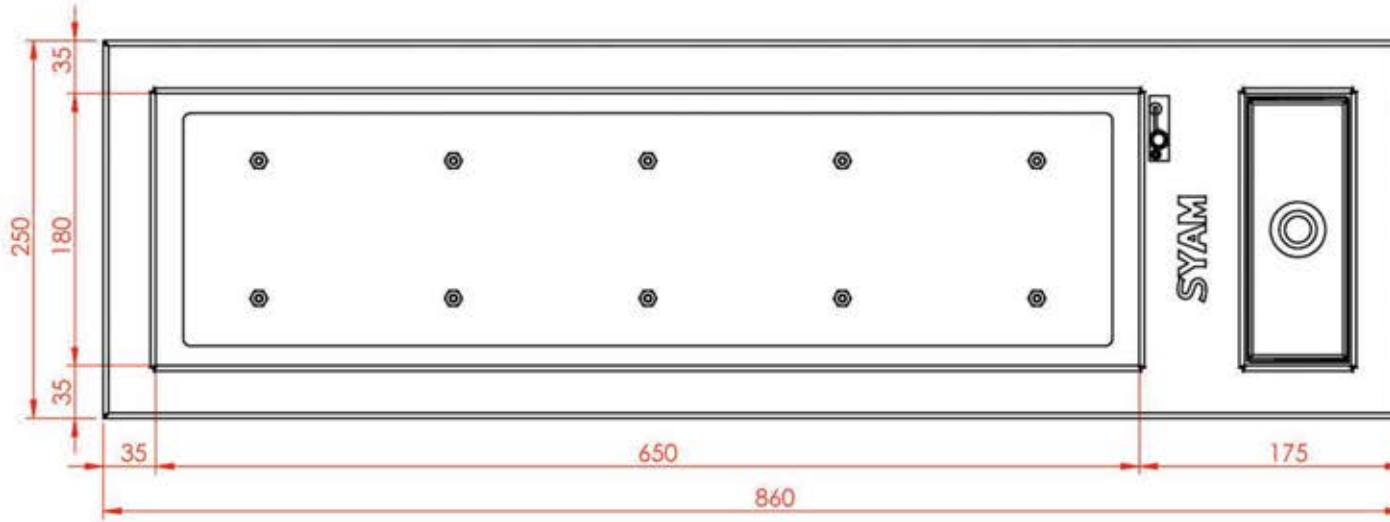
## PACKAGING

1 BOX 11.0 kg (LxWxH) - 955x340x300mm M<sup>3</sup> - 0.10



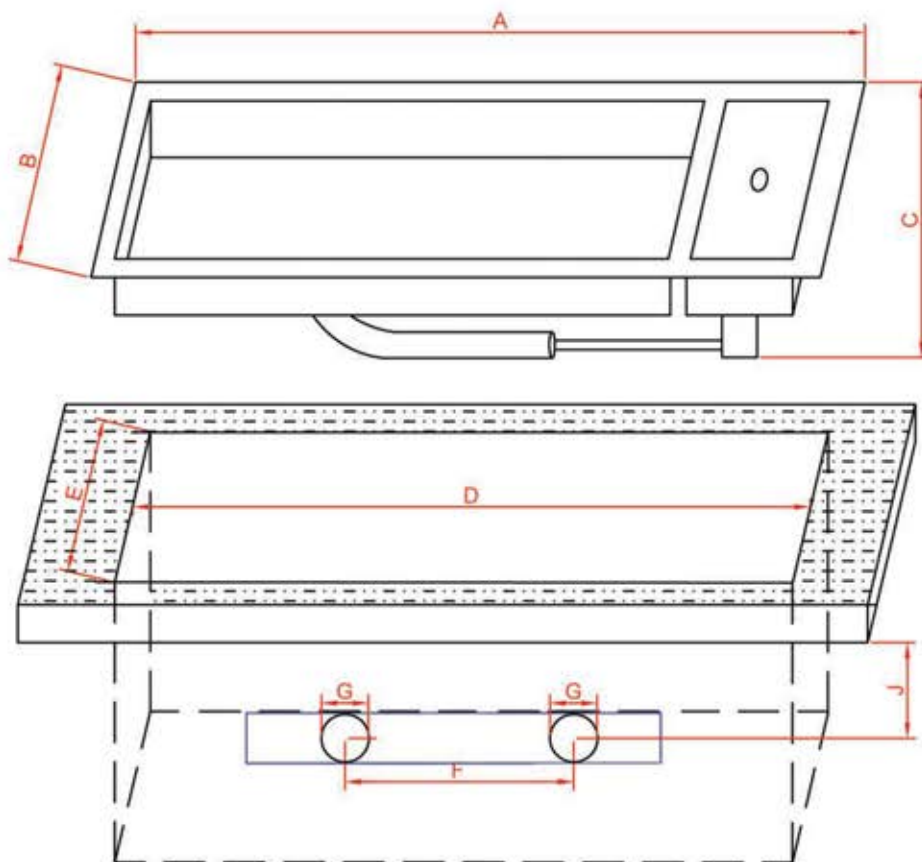
REV 2.1





STAINLESS STEEL





### IMPORTANT NOTICE

Remove this plastic protective coating from **ALL PANELS** (inside and outside the appliance) and clean surfaces from adhesive debris before lighting appliance. This is to remove all machine oils used in manufacturing that may cause odours, dis-colour and damage the appliance when burnt. This will also help reduce the chloride attack (rust) of the stainless steel specifically at coastal areas. Use hot soapy water which does not contain ammonia, chlorides, or chemicals.

For the safe operation of this appliance it is essential that the operator read and follow the contents of the Owner's Manual. For details on Owner's Manuals please visit [www.syam.co.za](http://www.syam.co.za)  
If you are assembling this appliance for someone else, please pass on this important notice.

GRATE BUILT IN PLAN			
GRATE SIZE	600	800	1000
A	660	860	1160
B	250	250	250
C	190	190	190
CUT-OUT SIZE			
D	600	800	1100
E	200	200	200
MIN. DEPTH	300	300	300
PRIMARY AIR DETAILS			
F	210	210	210
G	80	80	80



- PRIMARY AIR HOLES TO BE 80 DIAMETER, EQUALLY SPACED AND ONLY FROM ONE SIDE.
- PRIMARY AIR FACIAS ARE DESIGNED TO COVER THE HOLES WITHOUT RESTRICTING THE AIR FLOW
- PRIMARY AIR TO BE FROM THE GRATE, INSIDE THE ROOM WHERE IT IS INSTALLED
- ROOM TO HAVE ADEQUATE VENTILATION