



# SYAM

'WHEN ONLY THE BEST WILL DO'

**ITEM** SYAM CUISINE 6 BURNER  
STAINLESS 304 GAS DROP IN BBQ /  
BRAAI

**MODEL** SYBIE6B0SR

**STYLE** OUTDOOR DROP IN 6 BURNER  
BBQ DOUBLE LAYER STAINLESS  
DOME AND FULL SIZE GREASE  
TRAY WITH EASY READ HEAT  
INDICATOR



### DESIGN

DIMENSIONS INCLUDING ROTISSERIE (LxWxH)	1138x645x576mm
GRILLING AREA (4 BURNERS)	810x480mm
MATERIAL	304 STAINLESS
WEIGHT	60.0 kg
STRUCTURE	WELDED/FULLY ASSEMBLED
CONTROL KNOBS	SOLID DIE-CAST

### DETAIL

MAX GAS CONSUMPTION & FUEL TYPE (SEE*1)	LPG = 1.44 kg/h / *NG = 72.00 MJ/h
BURNER DEPLOY (SEE*2)	5Mi + 1BL
IGNITION SYSTEM (SEE*3)	SELF IGNITION
SAFETY FAILURE DEVICE	FITTED TO BACK BURNER
ROTISSERIE KIT (SEE*4)	INCLUDED
COVER (SEE*5)	INCLUDED
GAS REGULATOR INCLUDED	2.8kPa (FOR LPG CYLINDERS ONLY)

\*1 MINIMUM LPG SUPPLY IS 9kg GAS CYLINDER. IF CONNECTED TO A LPG / \*NG INSTALLATION MUST BE DONE BY A SAQCC REGISTERED GAS PRACTITIONER IN ACCORDANCE WITH SANS 10087-1 AND SANS 827 FOR NG. OPERATING PRESSURE FOR LPG IS 2.8kPa / NG IS 2.0 kPa

\*NG REQUIRES A JET CONVERSION KIT PACKED WITH THE BBQ

\*2 Mi: SS I-SHAPED MAIN BURNER / BL: BACK LONG BURNER  
THE DIGIT DENOTES THE NUMBER OF BURNERS

\*3 BUILD-IN FIRE ARM WITH PIEZO SPARK IGNITION SYSTEM

\*4 COMPRISING OF a) DC MOTOR b) HEX ROD c) QUICK CONNECT HANDLE  
d) 2 x SINGLE SIDED SPITS e) BALANCE COUNTER WEIGHT

\*5 PVC WITH COTTON LINER

\*6 OPTIONAL ACCESSORIES a) CAST IRON REVERSIBLE GRIDDLE  
b) 304 STAINLESS BRAAI PAN c) 304 STAINLESS 375 STIR FRY PAN d) 304 STAINLESS  
750 STIR FRY PAN e) DOUBLE SIDED SPIT f) SIDE COOKER  
g) STAINLESS CUPBOARD DOORS

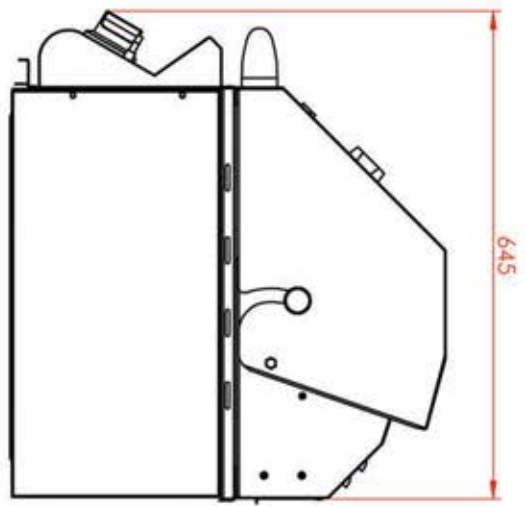
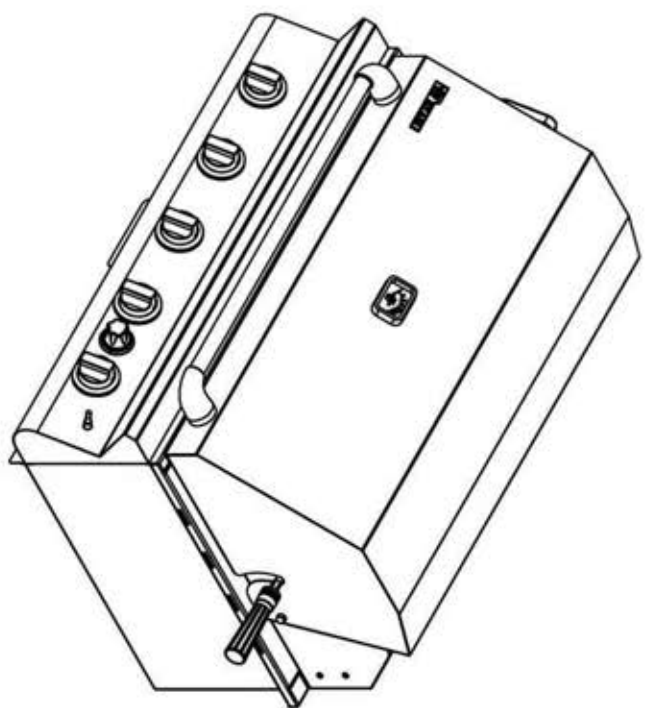
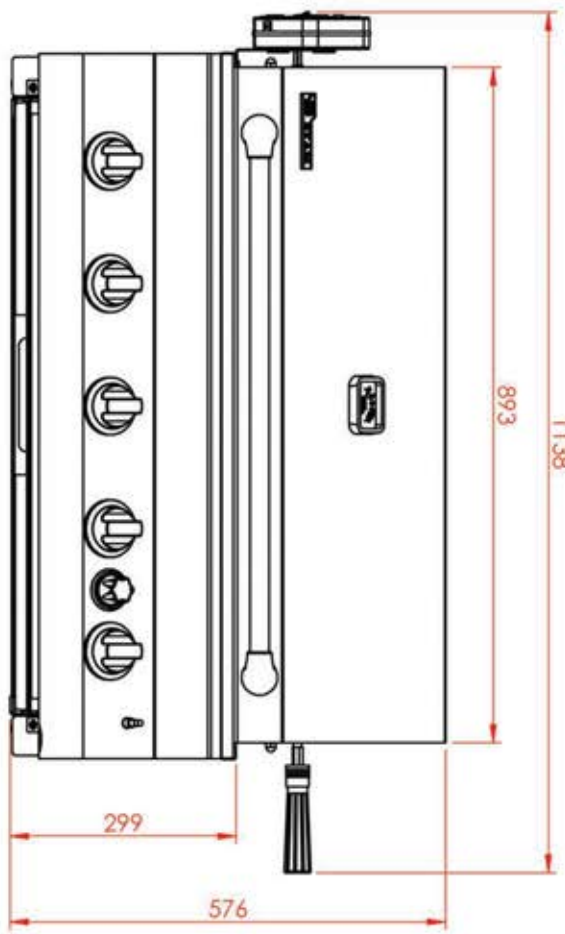
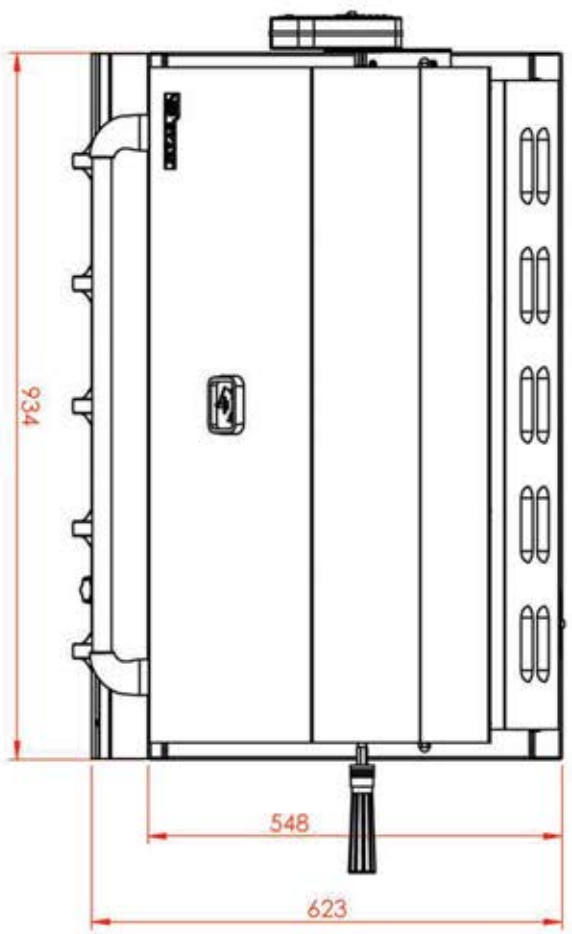
### PACKAGING

1 BOX 64.6 kg (LxWxH) - 970x700x600mm M<sup>3</sup> - 0.41



REV 2.1





STAINLESS STEEL

ITEM: CUISINE 6 BURNER STAINLESS 304 GAS

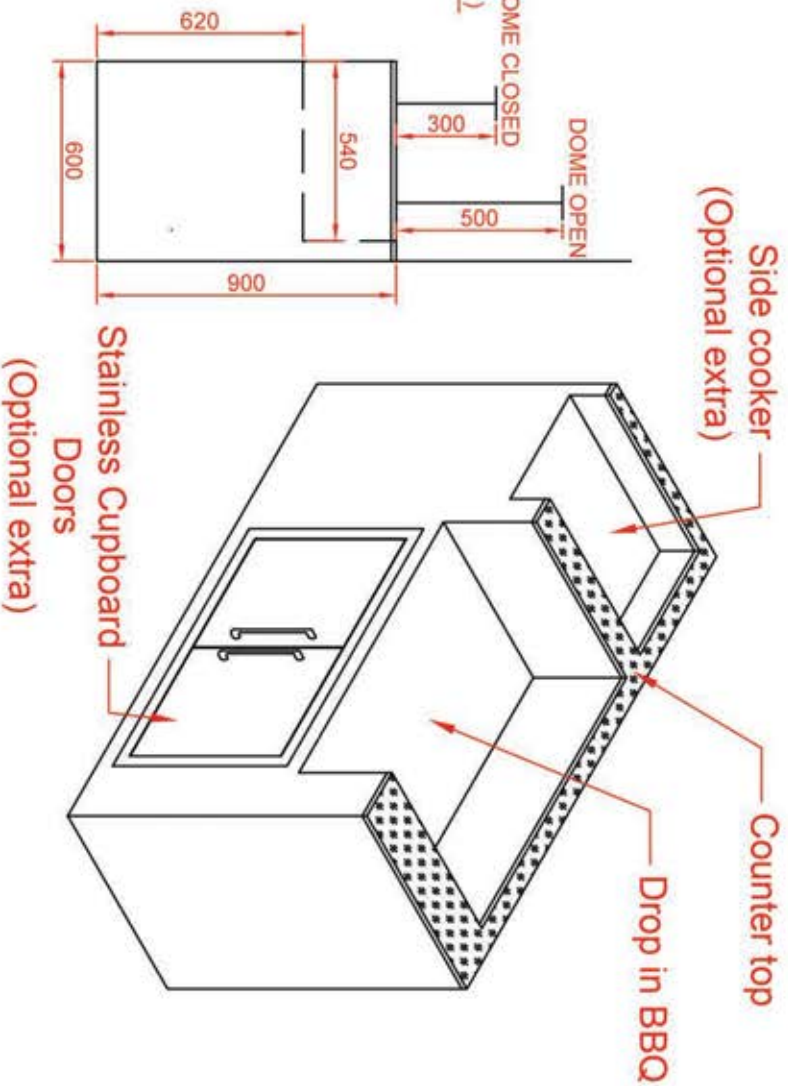
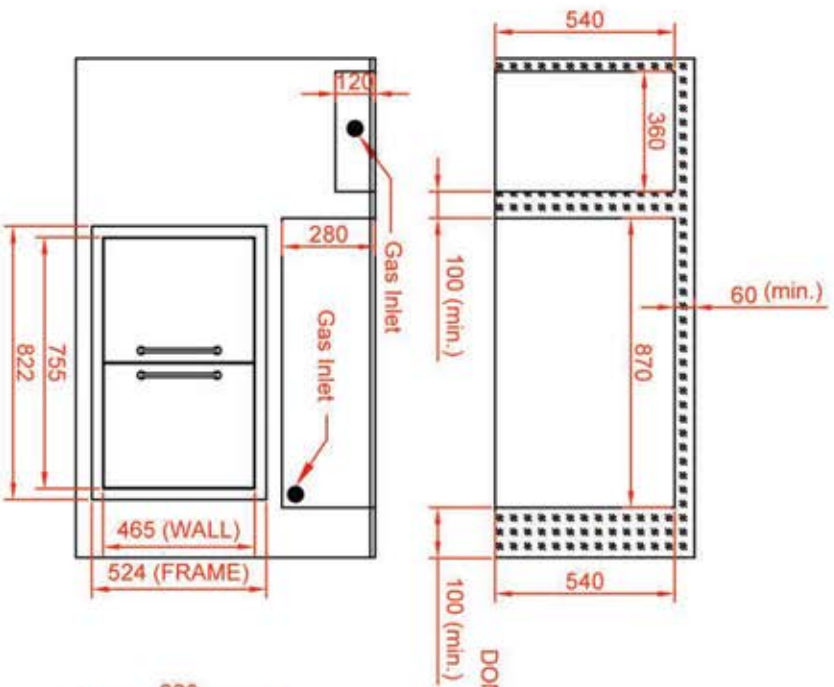
MODEL: SYBIE6B0SR

SHEET 1 OF 1

REV 21







STAINLESS STEEL

ITEM: CUISINE 6 BURNER STAINLESS 304 GAS

DIMENSIONS IN MM

# DROP-IN PLAN

MODEL: SYBIE6BOSR

SHEET 1 OF 1

REV 2.1

