



SYAM

'WHEN ONLY THE BEST WILL DO'

ITEM SYAM CUISINE 4 BURNER
STAINLESS 304 GAS DROP IN BBQ /
BRAAI

MODEL SYBUE4B0SR

STYLE OUTDOOR DROP IN 4 BURNER
BBQ DOUBLE LAYER STAINLESS
DOME AND FULL SIZE GREASE
TRAY WITH EASY READ HEAT
INDICATOR



DESIGN

DIMENSIONS INCLUDING ROTISSERIE (LxWxH)	1138x645x576mm
GRILLING AREA (4 BURNERS)	810x480mm
MATERIAL	304 STAINLESS
WEIGHT	61.0 kg
STRUCTURE	WELDED/FULLY ASSEMBLED
CONTROL KNOBS	SOLID DIE-CAST

DETAIL

MAX GAS CONSUMPTION & FUEL TYPE (SEE*1)	LPG = 1.36 kg/h / *NG = 68.00 MJ/h
BURNER DEPLOY (SEE*2)	3Mu + 1BL
IGNITION SYSTEM (SEE*3)	SELF IGNITION
SAFETY FAILURE DEVICE	FITTED TO BACK BURNER
ROTISSERIE KIT (SEE*4)	INCLUDED
COVER (SEE*5)	INCLUDED
GAS REGULATOR INCLUDED	2.8kPa (FOR LPG CYLINDERS ONLY)

*1 MINIMUM LPG SUPPLY IS 9kg GAS CYLINDER. IF CONNECTED TO A LPG / *NG INSTALLATION MUST BE DONE BY A SAQCC REGISTERED GAS PRACTITIONER IN ACCORDANCE WITH SANS 10087-1 AND SANS 827 FOR NG. OPERATING PRESSURE FOR LPG IS 2.8kPa / NG IS 2.0 kPa
*NG REQUIRES A JET CONVERSION KIT PACKED WITH THE BBQ

*2 Mu: SS U-SHAPED MAIN BURNER / BL: BACK LONG BURNER
THE DIGIT DENOTES THE NUMBER OF BURNERS

*3 BUILD-IN FIRE ARM WITH PIEZO SPARK IGNITION SYSTEM

*4 COMPRISING OF a) DC MOTOR b) HEX ROD c) QUICK CONNECT HANDLE
d) 2 x SINGLE SIDED SPITS e) BALANCE COUNTER WEIGHT

*5 PVC WITH COTTON LINER

*6 OPTIONAL ACCESSORIES a) CAST IRON REVERSIBLE GRIDDLE
b) 304 STAINLESS BRAAI PAN c) 304 STAINLESS 375 STIR FRY PAN d) 304 STAINLESS 750 STIR FRY PAN e) DOUBLE SIDED SPIT f) SIDE COOKER
g) STAINLESS CUPBOARD DOORS

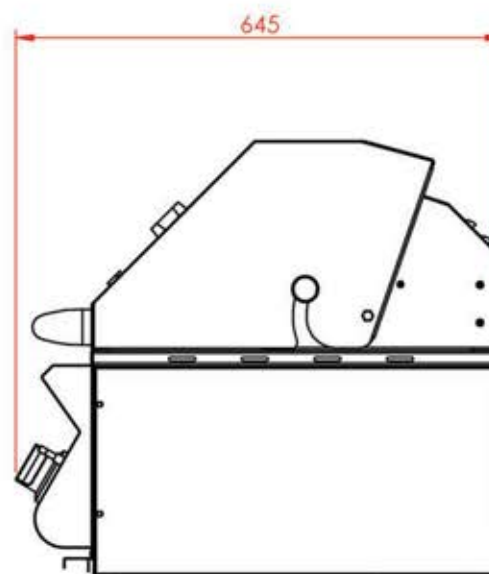
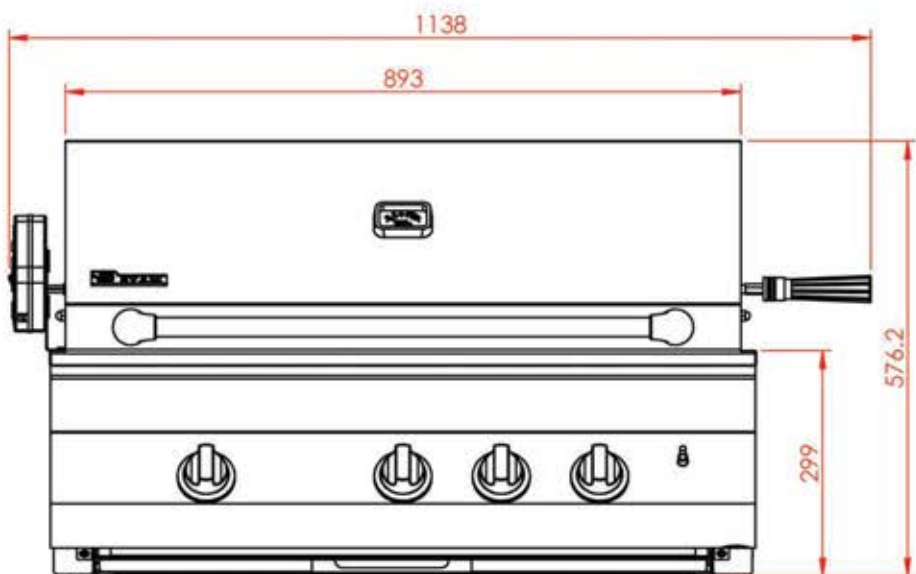
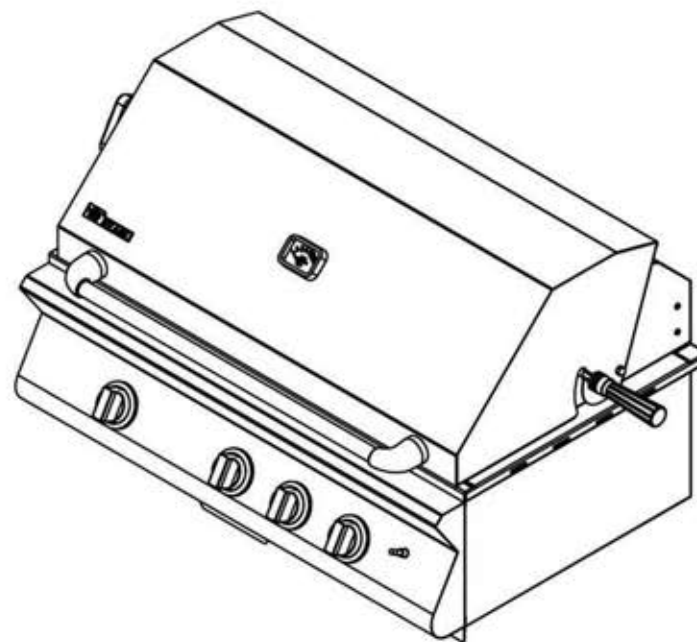
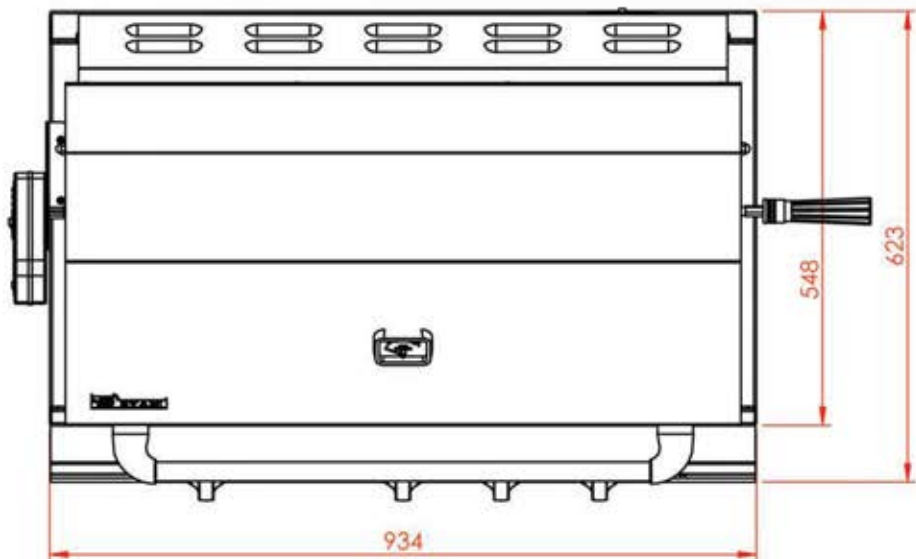
PACKAGING

1 BOX 65.2 kg (LxWxH) - 970x730x600mm M³ - 0.42



REV 2.1





STAINLESS STEEL

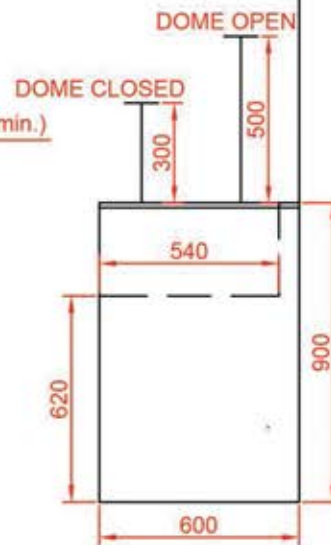
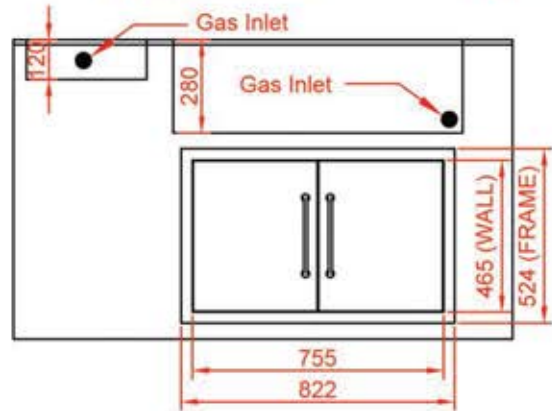
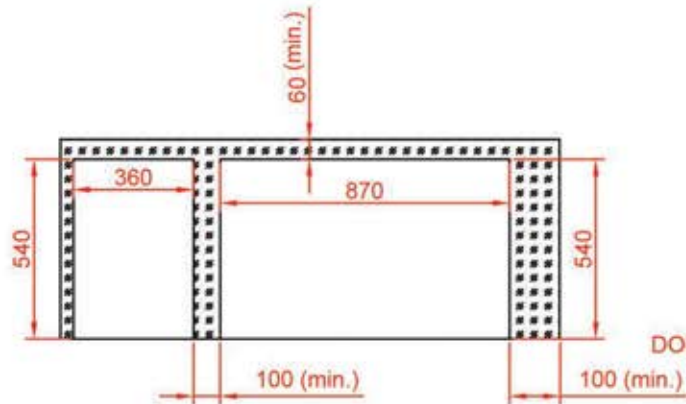
ITEM: CUISINE 4 BURNER STAINLESS 304 GAS

MODEL: SYBUE4B0SR

SHEET 1 OF 1

REV 2.1



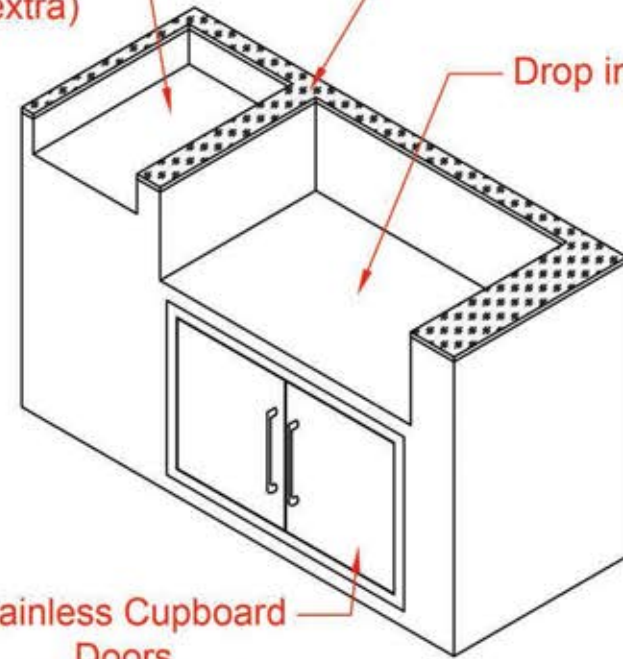


Side cooker
(Optional extra)

Counter top

Drop in BBQ

Stainless Cupboard
Doors
(Optional extra)



DIMENSIONS IN MM
DROP-IN PLAN

