



ITEM SYAM AUTHENTIC 3 BURNER
STAINLESS 304 GAS DROP IN BBQ /
BRAAI

MODEL SYBUG3B0SN

STYLE OUTDOOR DROP IN 3 BURNER
BBQ STAINLESS DUST COVER
AND FULL SIZE GREASE TRAY



DESIGN

DIMENSIONS (LxWxH)	934x644x337mm
GRILLING AREA (3 BURNERS)	810x480mm
MATERIAL	304 STAINLESS
WEIGHT	40.0 kg
STRUCTURE	WELDED/FULLY ASSEMBLED
CONTROL KNOBS	SOLID DIE-CAST

DETAIL

MAX GAS CONSUMPTION & FUEL TYPE (SEE*1)	LPG = 1.10 kg/h / *NG = 55.00 MJ/h
BURNER DEPLOY (SEE*2)	3Mu
IGNITION SYSTEM (SEE*3)	SELF IGNITION
SAFETY FAILURE DEVICE	NOT COMPATIBLE
ROTISSERIE KIT (SEE*4)	NOT COMPATIBLE
COVER (SEE*5)	INCLUDED
GAS REGULATOR INCLUDED	2.8kPa (FOR LPG CYLINDERS ONLY)

*1 MINIMUM LPG SUPPLY IS 9kg GAS CYLINDER. IF CONNECTED TO A LPG / *NG INSTALLATION MUST BE DONE BY A SAQCC REGISTERED GAS PRACTITIONER IN ACCORDANCE WITH SANS 10087-1 FOR LPG AND SANS 827 FOR NG. OPERATING PRESSURE FOR LPG IS 2.8kPa / NG IS 2.0 kPa
*NG REQUIRES A JET CONVERSION KIT PACKED WITH THE BBQ

*2 Mu: SS U-SHAPED BURNER
THE DIGIT DENOTES THE NUMBER OF BURNERS

*3 BUILD-IN FIRE ARM WITH PIEZO SPARK IGNITION SYSTEM

*4 COMPRISING OF a) DC MOTOR b) HEX ROD c) QUICK CONNECT HANDLE
d) 2 x SINGLE SIDED SPITS e) BALANCE COUNTER WEIGHT

*5 STAINLESS DUST COVER

*6 OPTIONAL ACCESSORIES a) CAST IRON REVERSIBLE GRIDDLE
b) 304 STAINLESS BRAAI PAN c) 304 STAINLESS 375 STIR FRY PAN d) 304 STAINLESS 750 STIR FRY PAN e) SIDE COOKER f) STAINLESS CUPBOARD DOORS

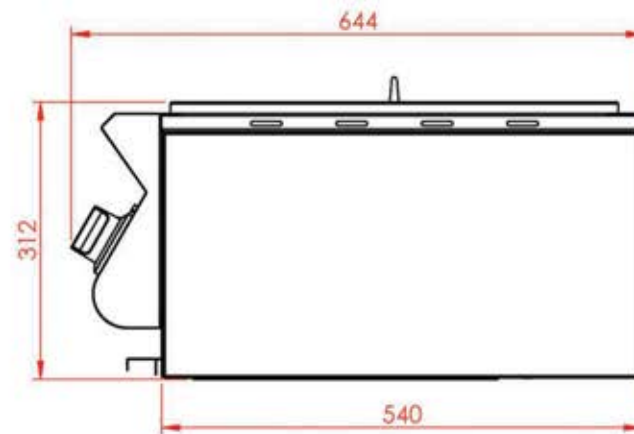
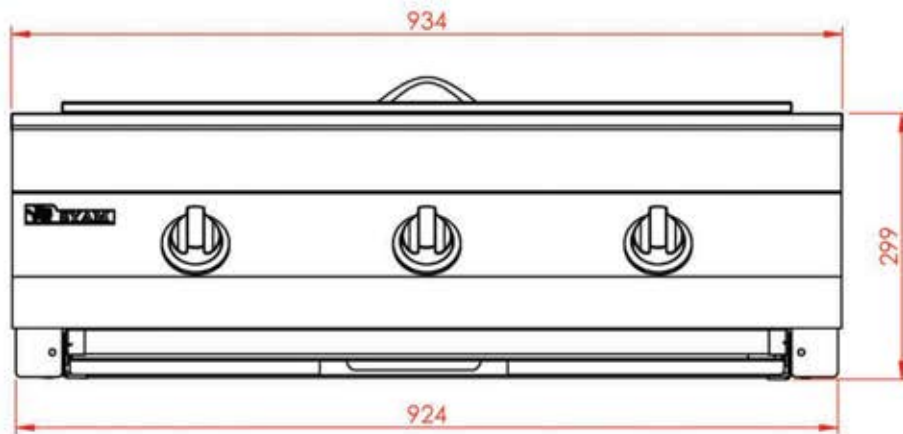
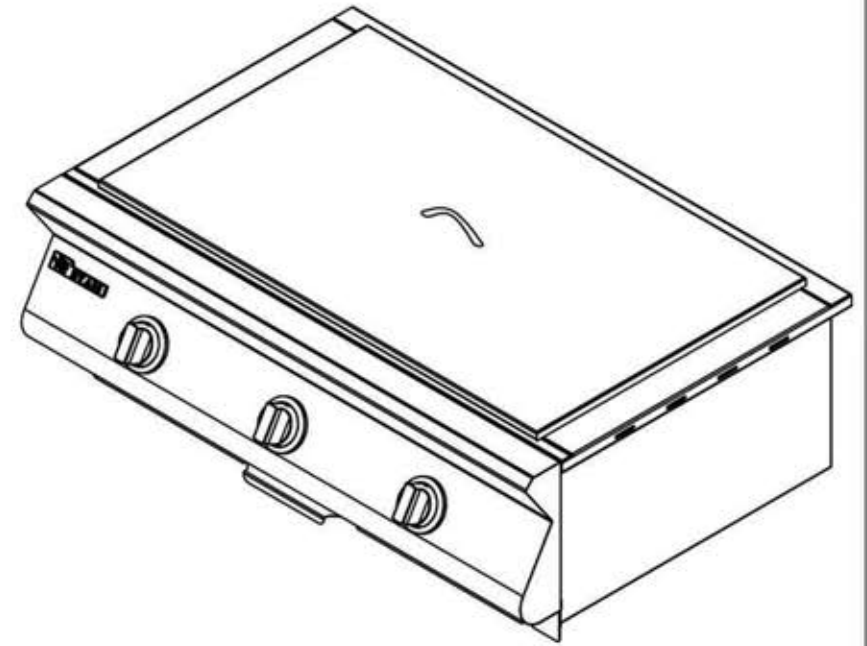
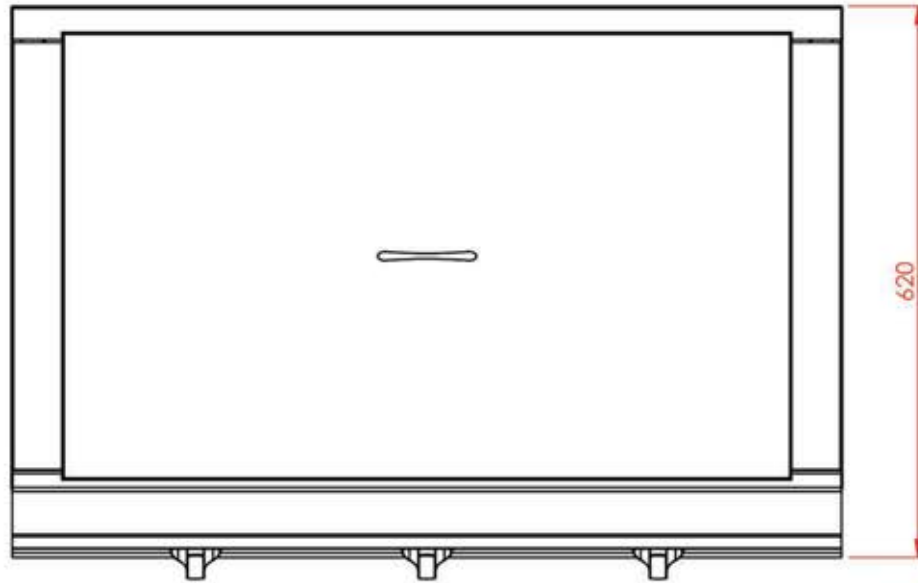
PACKAGING

1 BOX 47.1 kg (LxWxH) - 1000x710x370mm M³ - 0.26



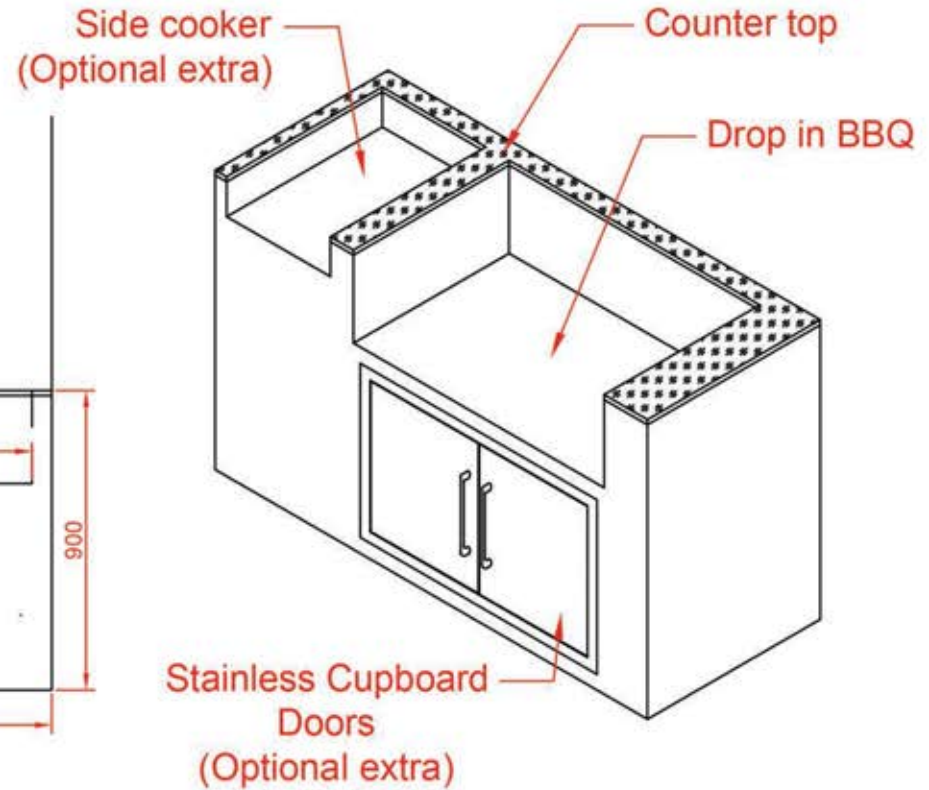
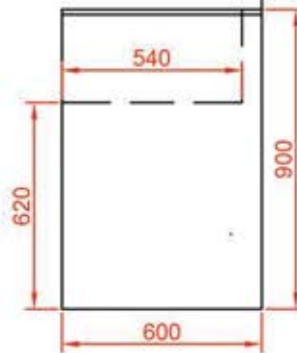
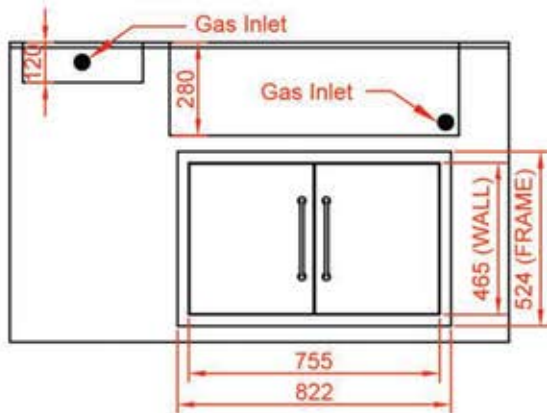
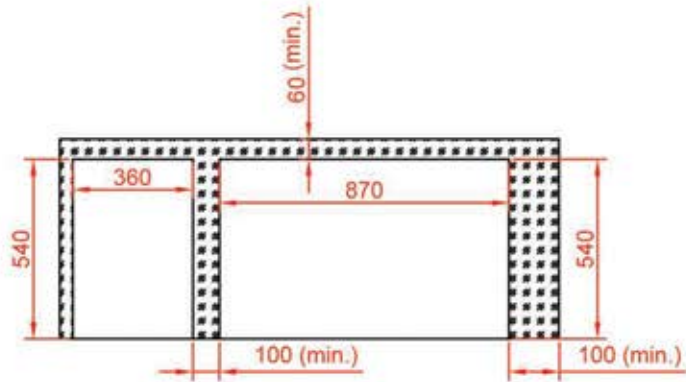
REV 2.1





STAINLESS STEEL





DIMENSIONS IN MM
DROP-IN PLAN

