

## 1000 Grandeur Built-In Stainless Gas Braai | Bbq



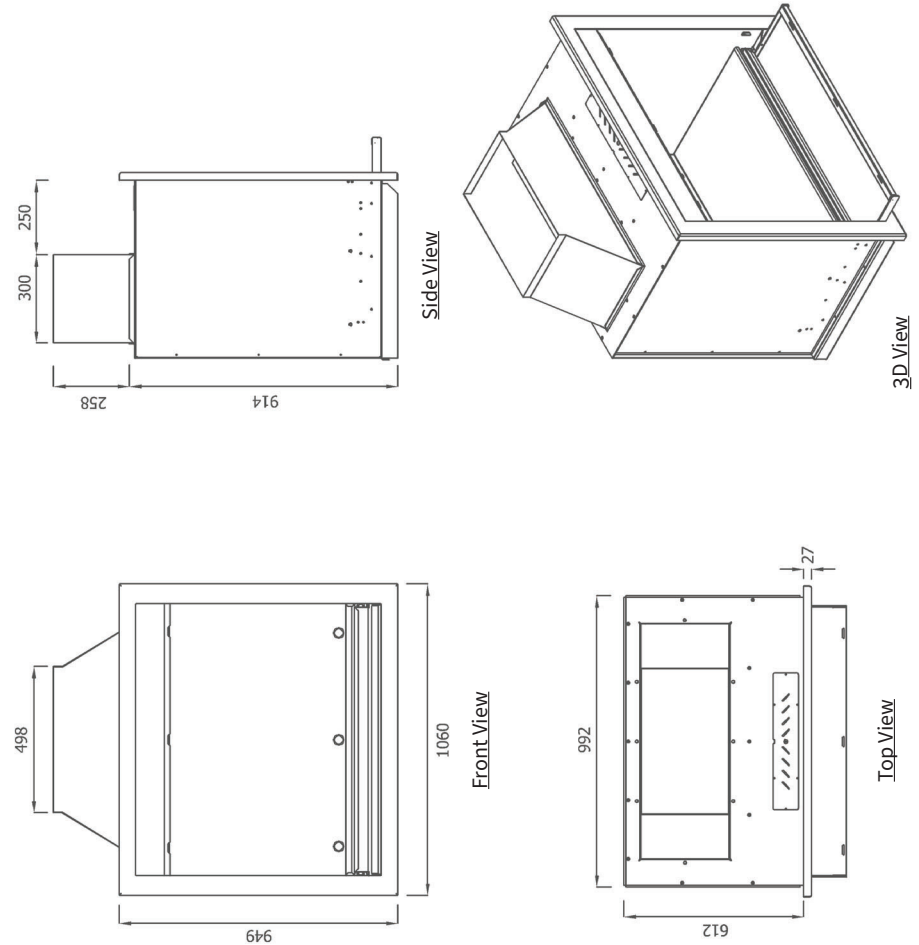
<b>Material:</b>	<b>Finish:</b>	<b>Product Weight:</b>
304 Stainless Steel (Standard) 430 Stainless Steel (Optional) 316 Stainless Steel (Optional)	No. 4 Brushed Finish	Braai Box - 101.8 kg Gas Insert - 34.8 kg Total Weight - 136.6 kg

<b>Burner Configuration:</b>	<b>Burner Consumption: (per burner)</b>
Main 5 x I-Shape	LPG = 0.233 kg/h NG = 11.65 MJ/h

<b>Dimensions:</b>	L	H	D
Overall for Outer Box	1060	949	639
Overall for Insert (Comfort 5-A)	900	220	590
Grilling Area	845	x	465

<b>* Features:</b>		
Stainless V-Style Grids	Gas Pressure: LPG - 2.8 kPa   NG - 2.0 kPa	Piezo Ignition On Each Burner
Die-Cast Alloy Knobs	Heavy Duty Outer Box	LPG(Standard) / NG* Compatible: *For NG a conversion kit is required
Fully Removable Drip Tray	Stainless Flame Tamers	Heavy Duty Door
Light Fitting	Roller Bearing Slide Out Cooking Table	

### Product Views & Dimensions:



1



**IMPORTANT NOTICE:** Before using your stainless appliance, remove all the PVC surface protection film and thoroughly clean all surfaces to remove the any adhesive left behind on the metal surface. Failure to do so may result in surface contamination & oxidation (rust) caused by atmospheric chlorides and/or other elements. Use hot soapy water which does not contain any ammonia, chlorides or chemicals. For safe operation of this appliance it is essential that the operator read the and follow the contents of the **OWNER'S MANUAL**. For details on the **OWNER'S MANUAL** please scan the **QR Code** found on your appliance.

2



## Built-In Braai | Bbq Dimensions & Installation Notes

\*ALL DIMENSIONS ARE IN MILLIMETERS (mm)

\*ALL DIMENSIONS GIVEN ARE FINISHED & INCLUDE CLADDING, PLASTER, PAINT, ETC.

DIMENSIONS (mm)	700	800	900	1000	1200	1300	1400	1500
<b>A</b>	700	800	900	1000	1200	1300	1400	1500
<b>B</b>	660	660	660	660	660	660	660	660
<b>C</b>	925	925	925	925	925	925	925	925
<b>D</b> (Recommended)	750	750	750	750	750	750	750	750
<b>E</b>	430	430	430	430	430	430	430	430

### Gas Requirements: (Only Applicable For Gas Units)

- \*When the gas supply is from a 9kg LP Gas cylinder underneath the braai, a 2.8 kPa low pressure bull nose regulator complying with SANS 1237 must be used.
- \*When installing the braai to a fixed gas line, it should be done by a Registered SAQCC Gas Practitioner in compliance with SANS 10087-1 and the User Manual.

### Electrical Requirements:

- \*An electrical point needs to be installed above the braai, inside the braai cavity.
- \*An isolator for the electrical point needs to be installed outside of the braai and must be accessible.
- \*All electrical work is to be carried out by a certified electrician.

### Optional Extras:

The following items are also available for purchase:

- **Stainless Cupboard Doors:**  
- Please refer to the "Cupboard Doors" sheet for more information.

### Note:

- Any structure which will be provided to house this product must comply with SANS 10400 and or any other national standard or building regulation applicable.

- \*A gas line must be supplied inside the cavity. (Only Applicable For Gas Units)
- \*Build the appliance into a solid, non-combustible and waterproof area.

