

1200 Grandeur Built-In Stainless Wood Braai | Bbq



Material:

304 Stainless Steel (Standard)
430 Stainless Steel (Optional)
316 Stainless Steel (Optional)

Finish:

No. 4 Brushed Finish



Product Weight:

Braai Box - 118.1 kg
Wood Insert - 60.9kg
Total Weight - 179 kg



Dimensions:

	L	H	D
Overall for Outer Box	1260	949	639
Overall for Insert (Braiser 1100)	1100	472	562
Grilling Area	1056	x	445

* Features:



Stainless Flat Style Grid



Heavy Duty Door



Light Fitting



Fully Removable Ash & Drip Pan



Heavy Duty Outer Box



Potjie Hook

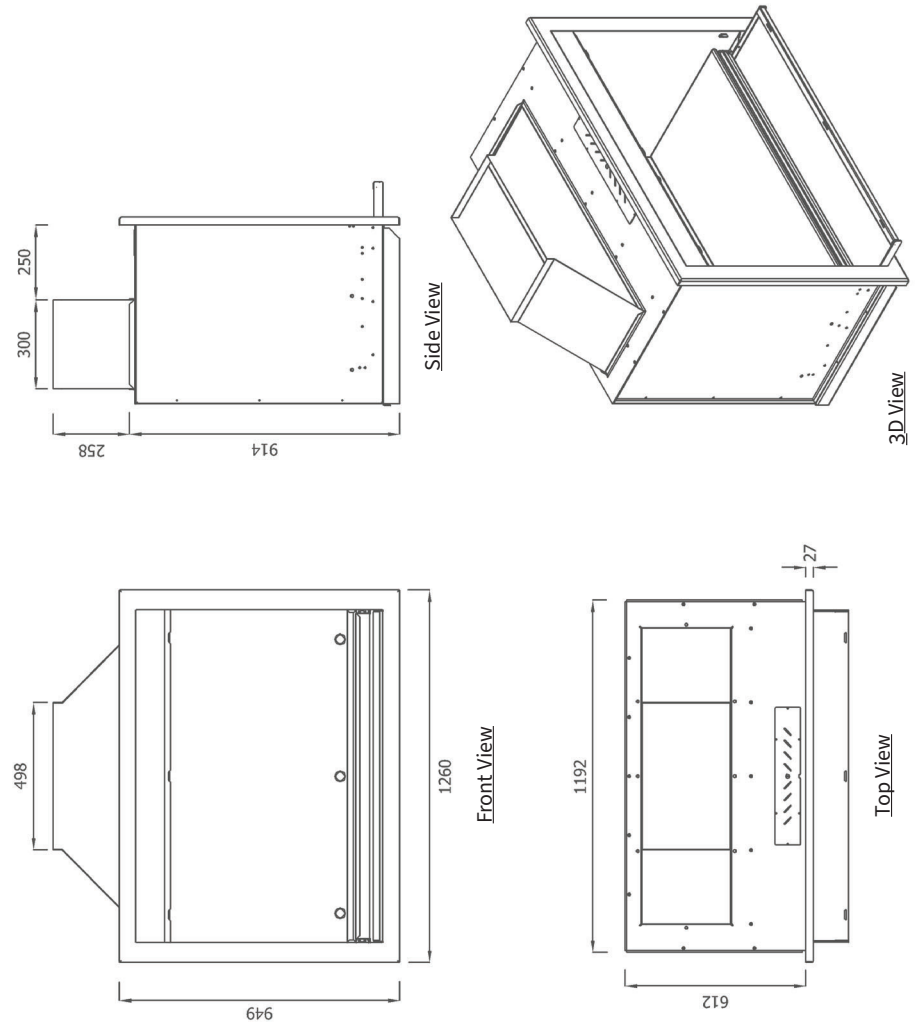


Roller Bearing Slide Out Cooking Table

! Important Notice:

Before using your stainless appliance, remove all the PVC surface protection film and thoroughly clean all surfaces to remove the any adhesive left behind on the metal surface. Failure to do so may result in surface contamination & oxidation (rust) caused by atmospheric chlorides and/ or other elements. Use hot soapy water which does not contain any ammonia, chlorides or chemicals. For safe operation of this appliance it is essential that the operator read the and follow the contents of the **OWNER'S MANUAL**. For details on the **OWNER'S MANUAL** please scan the **QR Code** found on your appliance.

Product Views & Dimensions:



Built-In Braai | Bbq Dimensions & Installation Notes

*ALL DIMENSIONS ARE IN MILLIMETERS (mm)

*ALL DIMENSIONS GIVEN ARE FINISHED & INCLUDE CLADDING, PLASTER, PAINT, ETC.

DIMENSIONS (mm)	700	800	900	1000	1200	1300	1400	1500
A	700	800	900	1000	1200	1300	1400	1500
B	660	660	660	660	660	660	660	660
C	925	925	925	925	925	925	925	925
D (Recommended)	750	750	750	750	750	750	750	750
E	430	430	430	430	430	430	430	430

Gas Requirements: (Only Applicable For Gas Units)

- *When the gas supply is from a 9kg LP Gas cylinder underneath the braai, a 2.8 kPa low pressure bull nose regulator complying with SANS 1237 must be used.
- *When installing the braai to a fixed gas line, it should be done by a Registered SAQCC Gas Practitioner in compliance with SANS 10087-1 and the User Manual.

Electrical Requirements:

- *An electrical point needs to be installed above the braai, inside the braai cavity.
- *An isolator for the electrical point needs to be installed outside of the braai and must be accessible.
- *All electrical work is to be carried out by a certified electrician.

Optional Extras:

The following items are also available for purchase:

- **Stainless Cupboard Doors:**
- Please refer to the "Cupboard Doors" sheet for more information.

Note:

- Any structure which will be provided to house this product must comply with SANS 10400 and or any other national standard or building regulation applicable.

- *A gas line must be supplied inside the cavity. (Only Applicable For Gas Units)
- *Build the appliance into a solid, non-combustible and waterproof area.

