

1600 Ultra Type B Built-In Stainless Dual Braai | Bbq



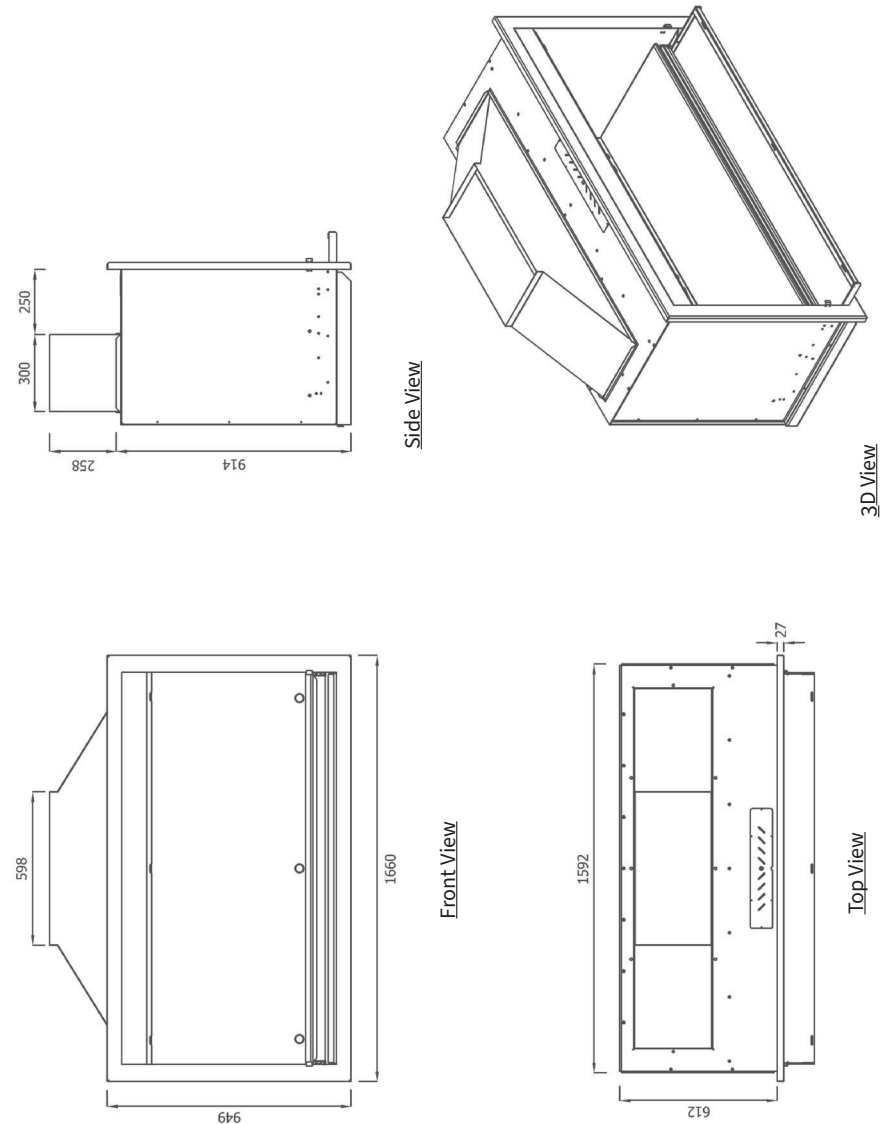
Material:	Finish:	Product Weight:
304 Stainless Steel (Standard) 430 Stainless Steel (Optional) 316 Stainless Steel (Optional)	No. 4 Brushed Finish	Braai Box - 158.4 kg Gas Insert - 34.8 kg Wood Insert - 40.4 kg Total Weight - 233.6 kg

Burner Configuration:	Burner Consumption: (per burner)
Main: 5 x I-Shape	LPG = 0.233 kg/h NG = 11.65 MJ/h

Dimensions:	L	H	D
Overall for Outer Box	1660	949	639
Overall for Gas Insert (Comfort 5-A)	900	220	590
Overall for Wood Insert (600 Braiser)	600	472	562

★ Features:		
Stainless V-Style Grills	Stainless Flame Tamers	Potjie Hook
Die-Cast Alloy Knobs	Heavy Duty Outer Box	Firewood Charcoal Consumption
Gas Pressure: LPG - 2.8 kPa NG - 2.0 kPa	Heavy Duty Door	Adjustable Vents For Air Flow
Piezo Ignition On Each Burner	Fully Removable Drip Tray	Roller Bearing Slide Out Cooking Table
LPG(Standard) / NG* Compatible: *For NG a conversion kit is required	Light Fitting	

Product Views & Dimensions:



1

IMPORTANT NOTICE: Before using your stainless appliance, remove all the PVC surface protection film and thoroughly clean all surfaces to remove the any adhesive left behind on the metal surface. Failure to do so may result in surface contamination & oxidation (rust) caused by atmospheric chlorides and/or other elements. Use hot soapy water which does not contain any ammonia, chlorides or chemicals. For safe operation of this appliance it is essential that the operator read the and follow the contents of the **OWNER'S MANUAL**. For details on the **OWNER'S MANUAL** please scan the **QR Code** found on your appliance.

2



Type B Built-In Dual Braai | Bbq Dimensions & Installation Notes

*ALL DIMENSIONS ARE IN MILLIMETERS (mm)

*ALL DIMENSIONS GIVEN ARE FINISHED & INCLUDE CLADDING, PLASTER, PAINT, ETC.

DIMENSIONS (mm)	1200	1300	1400	1500	1600	1700	1800	1900	2000	2100	2200
A	1200	1300	1400	1500	1600	1700	1800	1900	2000	2100	2200
B	660	660	660	660	660	660	660	660	660	660	660
C	925	925	925	925	925	925	925	925	925	925	925
D (Recommended)	750	750	750	750	750	750	750	750	750	750	750
E	430	430	430	430	430	430	430	430	430	430	430

Gas Requirements: (Only Applicable For Gas Units)

- *When the gas supply is from a 9kg LP Gas cylinder underneath the braai, a 2.8 kPa low pressure bull nose regulator complying with SANS 1237 must be used.
- *When installing the braai to a fixed gas line, it should be done by a Registered SAQCC Gas Practitioner in compliance with SANS 10087-1 and the User Manual.

Electrical Requirements:

- *An electrical point needs to be installed above the braai, inside the braai cavity.
- *An isolator for the electrical point needs to be installed outside of the braai and must be accessible.
- *All electrical work is to be carried out by a certified electrician.

Optional Extras:

The following items are also available for purchase:

- **Stainless Cupboard Doors:**
- Please refer to the "Cupboard Doors" sheet for more information.

Note:

- Any structure which will be provided to house this product must comply with SANS 10400 and or any other national standard or building regulation applicable.

- *A gas line must be supplied inside the cavity. (Only Applicable For Gas Units)
- *Build the appliance into a solid, non-combustible and waterproof area.

