

900 Firepit H-Burner Spark Ignition



Material:	Finish:	Product Weight:
430 Stainless Steel (Standard) 304 Stainless Steel (Optional) 316 Stainless Steel (Optional)	No. 4 Brushed Finish	12 kg

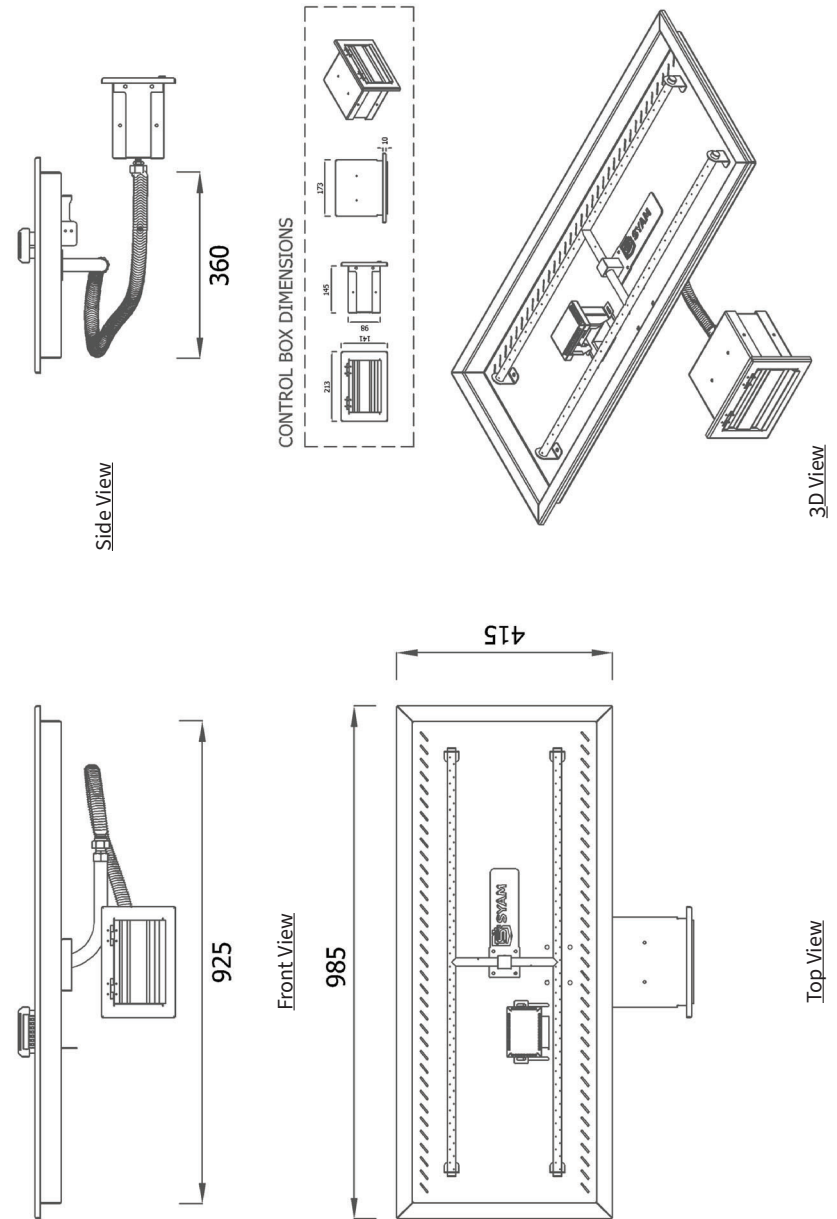
Burner Configuration:	Burner Consumption:
Main H-Burner	LPG = 2.49 kg/h NG = 123.8 MJ/h

Dimensions:	L	H	D
Overall	985	X	415

Important Notice:

Before using your stainless appliance, remove all the PVC surface protection film and thoroughly clean all surfaces to remove the any adhesive left behind on the metal surface. Failure to do so may result in surface contamination & oxidation (rust) caused by atmospheric chlorides and/or other elements. Use hot soapy water which does not contain any ammonia, chlorides or chemicals. For safe operation of this appliance it is essential that the operator read the and follow the contents of the **OWNER'S MANUAL**. For details on the **OWNER'S MANUAL** please scan the **QR Code** found on your appliance.

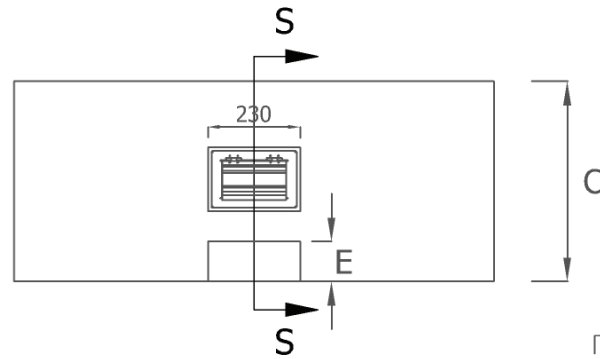
Product Views & Dimensions:



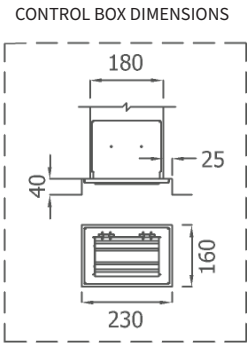
Firepit H - Burner Spark Ignition Built-In Dimensions & Installation Notes

*ALL DIMENSIONS ARE IN MILLIMETERS (mm)

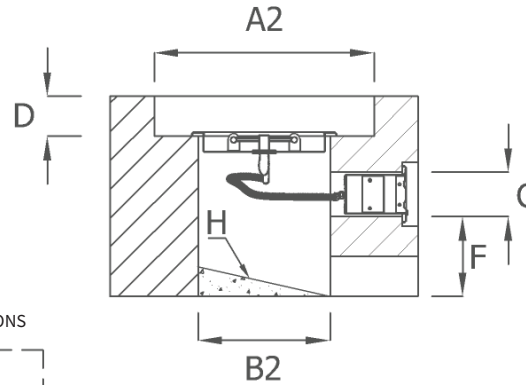
*ALL DIMENSIONS GIVEN ARE FINISHED & INCLUDE CLADDING, PLASTER, PAINT, ETC.



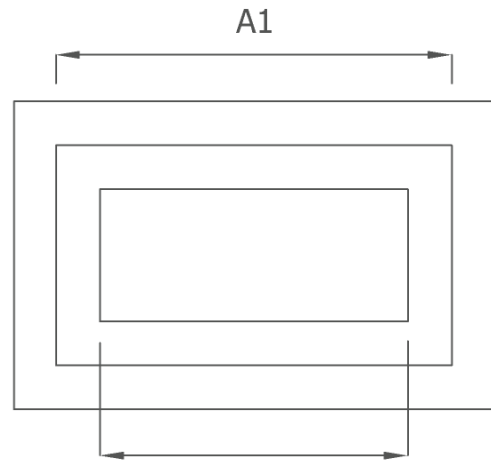
FRONT VIEW



CONTROL BOX DIMENSIONS

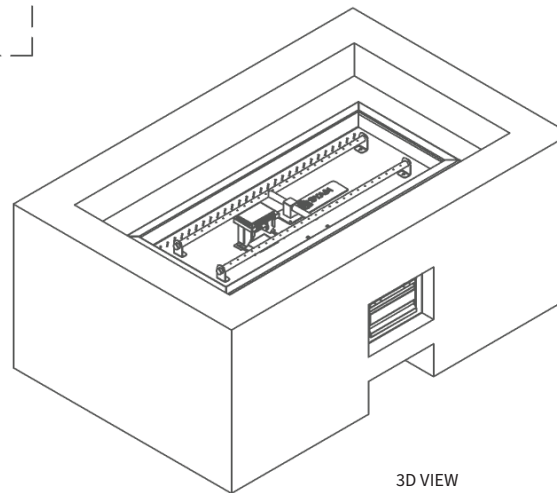


SIDE SECTION VIEW



B1

TOP VIEW



3D VIEW

	H - 600	H - 750	H - 900	H - 1200	H - 1350
A1	890	1040	1190	1490	1640
A2	560	560	560	670	670
B1	655	805	955	1255	1405
B2	330	330	380	440	440
C	500(min)	500(min)	500(min)	500(min)	500(min)
D	100	100	100	100	100
E	100	100	100	100	100
F	200(min)	200(min)	200(min)	200(min)	200(min)
G	110	110	110	110	110

Notes for the above:

- *A1 - The outer length of the cavity. *A2 - The inner length of the cavity.
- *B1 - The outer width of the cavity. *B2 - The inner width of the cavity.
- *C - The minimum height of the structure.
- *D - There must be a 100mm deep recess from the outer diameter for the firepit to fit comfortably within the cavity.
- *E - Cutout required for water drainage and primary air ventilation.
- *F - This is the minimum height from the ground for the control box cut-out.
- *G - The height of the cut-out for the control box.
- *H- The floor of the cavity MUST be built in such a way that it aids in draining water.

Gas Requirements:

*When installing the firepit to a fixed gas line, it should be done by a Registered SAQCC Gas Practitioner in compliance with [SANS 10087-1](#) and the [User Manual](#).

Note:

- Any structure which will be provided to house this product must comply with SANS 10400 and or any other national standard or building regulation applicable.

*A gas line must be supplied inside the cavity.
*Build the appliance into a solid, non-combustible and waterproof area.