

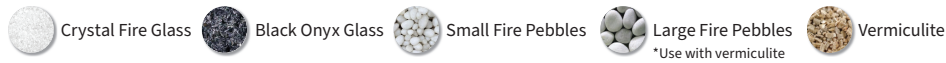
1450 Double Sided Designer Gas Fireplace



	Material: Stainless Steel (Can have any type of finish) Carbon Steel (Can only be Black Coated)		Finish: Mirror BA Brushed Satin Black Satin Gold Black Coated		Product Weight: Firebox - 31.45 kg Burner - 11.38 kg Total Weight - 42.83 kg
--	------------------------------------------------------------------------------------------------------------------------	--	-------------------------------------------------------------------------------------	--	----------------------------------------------------------------------------------------------

Dimensions:	L	H	D
Overall Box Size	1495	630	500
Overall Burner Size - 1400 Designer Grate	1360	160	250
Overall Facia (frame) Size - Linear (80mm)	1525	665	15
Overall Facia (frame) Size - Vertex (100mm)	1565	705	15

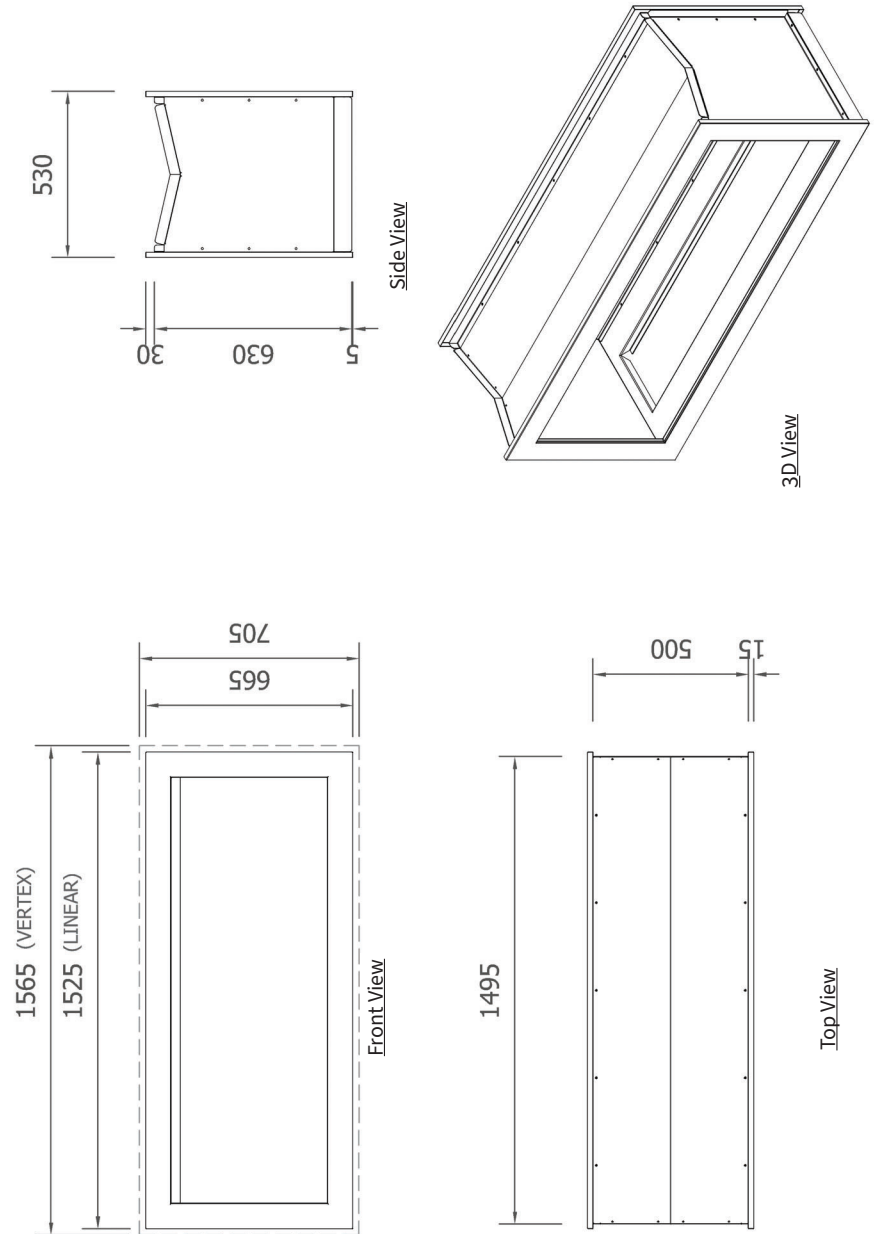
Designer Grate Media:



Features:	Manual System	Remote Controlled System (RCS)
Ignition Type	Piezo Spark Ignition	Electronic Ignition (220V Required)
Smart Home Automation	N	Y
Fuel Type	LPG/NG	LPG/NG
Burner Type	Tubular J-Burner	Tubular J-Burner
Burner Consumption	LPG = 1.29 kg/h NG = 64.11 MJ/h	LPG = 1.29 kg/h NG = 64.11 MJ/h

Product Views & Dimensions:

Linear S Facia



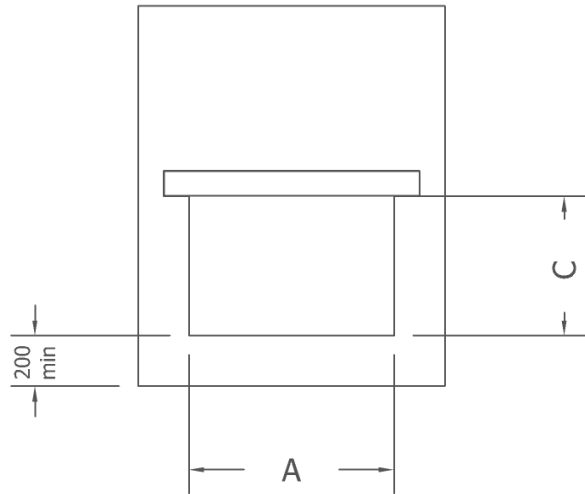
Please Note: SYAM ACCEPTS NO RESPONSIBILITY FOR ERRORS RESULTING FROM MISINTERPRETATIONS OF DRAWINGS. THE DESIGN OF THIS DRAWING IS COPYRIGHT PROTECTED © AND REMAINS THE PROPERTY OF SYAM.

IMPORTANT NOTICE: Before using your stainless appliance, remove all the PVC surface protection film and thoroughly clean all surfaces to remove the any adhesive left behind on the metal surface. Failure to do so may result in surface contamination & oxidation (rust) caused by atmospheric chlorides and/or other elements. Use hot soapy water which does not contain any ammonia, chlorides or chemicals. For safe operation of this appliance it is essential that the operator read the and follow the contents of the **OWNER'S MANUAL**. For details on the **OWNER'S MANUAL** please scan the **QR Code** found on your appliance.

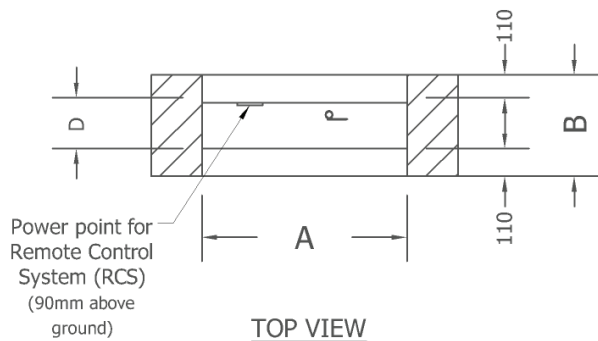
Double-Sided Designer Gas Fireplace - Built-In Dimensions

*ALL DIMENSIONS ARE IN MILLIMETERS (mm)

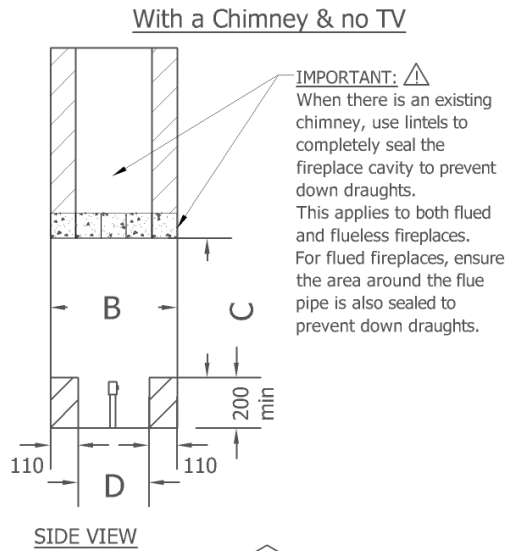
*ALL DIMENSIONS GIVEN ARE FINISHED & INCLUDE CLADDING, PLASTER, PAINT, ETC.



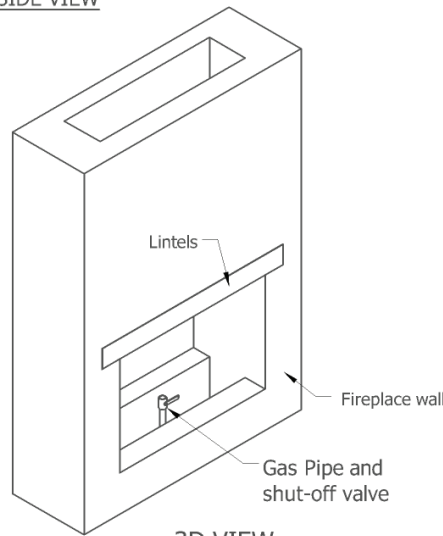
FRONT VIEW



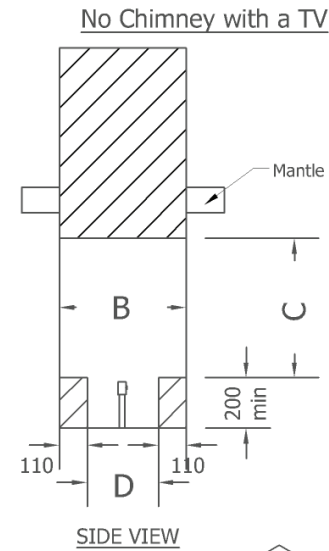
TOP VIEW



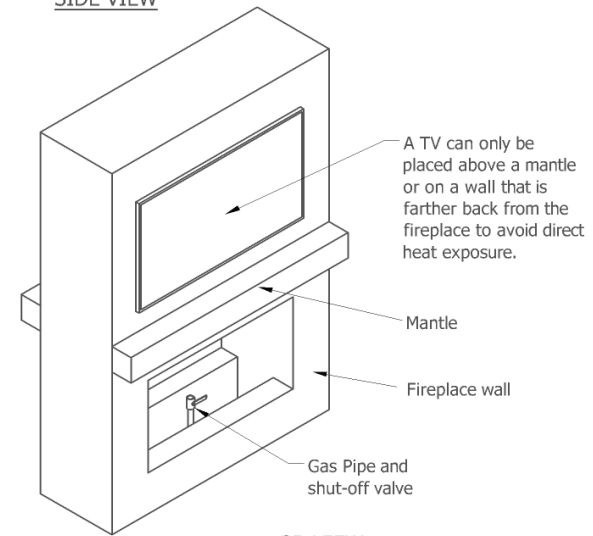
SIDE VIEW



3D VIEW



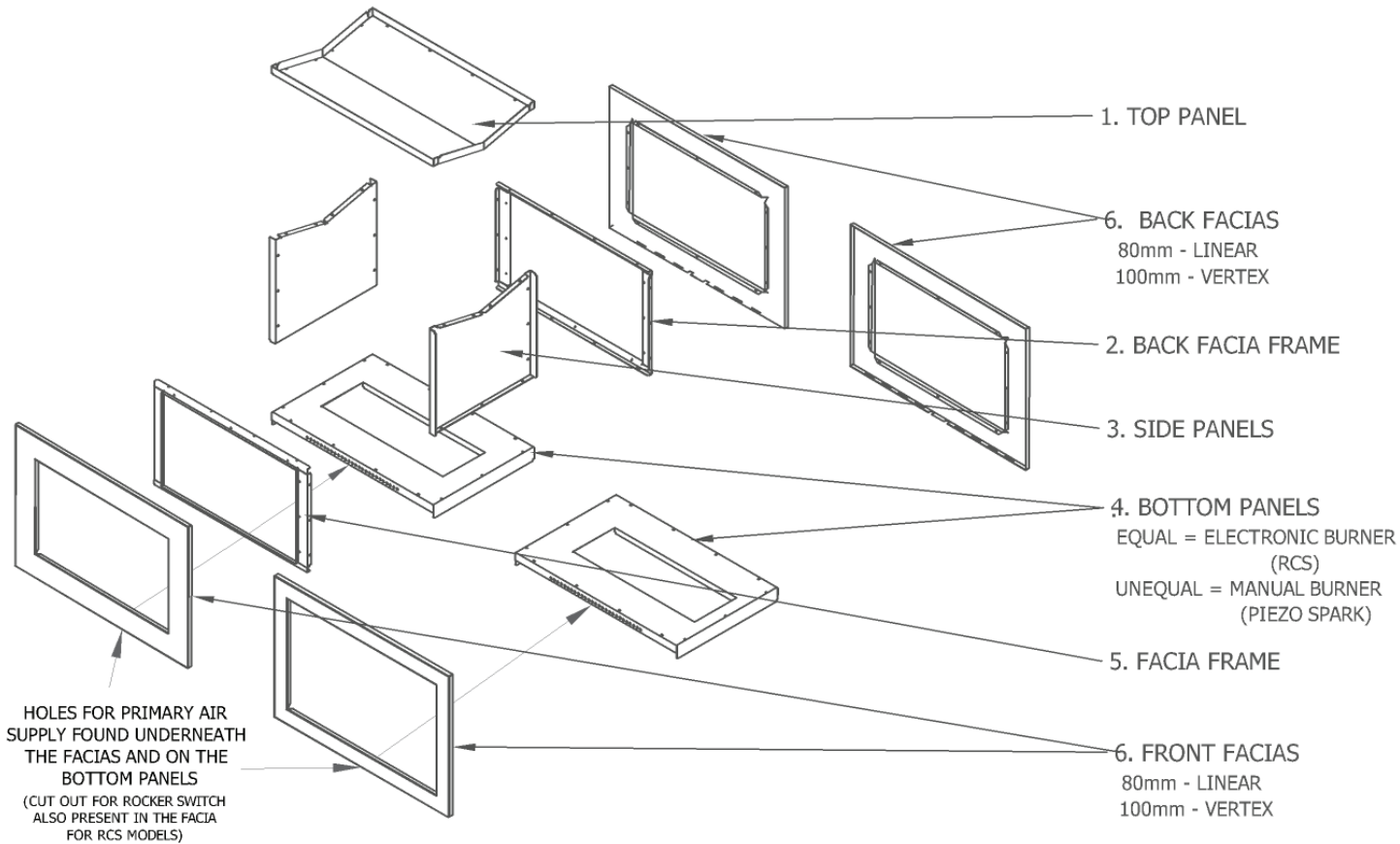
SIDE VIEW



3D VIEW

	A	B	C	D
650 DOUBLE	715	500	550	280
750 DOUBLE	815	500	550	280
950 DOUBLE	1015	500	550	280
1250 DOUBLE	1315	500	650	280
1450 DOUBLE	1515	500	650	280
1650 DOUBLE	1715	500	650	280
1850 DOUBLE	1915	500	650	280
2150 DOUBLE	2215	500	650	280

Double-Sided Designer Gas - Fireplace Assembly Plan (Flueless)



This fireplace requires a sufficient supply of oxygen from the room for proper operation, so adequate ventilation must be ensured. Air is supplied through holes in the firebox—please refer to the drawing for their location. DO NOT block or cover these holes.

Only a SAQCC Registered Gas Practitioner may install the fireplace. The gas line should be placed under the burner, protruding from the floor. A conversion kit is required for natural gas. (please inquire when purchasing)

Our electronic fireplaces are powered by a 6V DC transformer included with the unit. A 220V, 3-pin standard outlet is required for the transformer. A battery backup is provided, but it should never be used as the primary power source. (*Batteries not included.)

No electrical point needs to be installed for manual- piezo ignition systems.

Install the fireplace in a solid, non-combustible, waterproof structure that meets SANS 10400 or any applicable national building regulations.

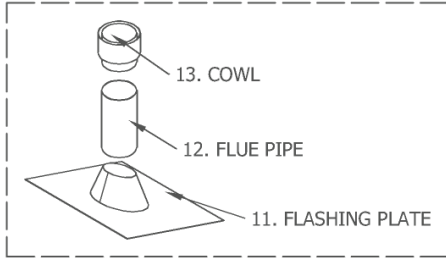
The fireplace burner is made from sheet metal, which may expand and bow under high heat but should return to normal once cooled down.

SYAM ACCEPTS NO RESPONSIBILITY FOR ERRORS RESULTING FROM MISINTERPRETATIONS OF DRAWINGS. THE DESIGN OF THIS DRAWING IS COPYRIGHT PROTECTED © AND REMAINS THE PROPERTY OF SYAM.

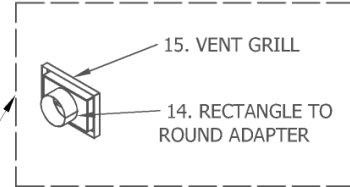


Double-Sided Designer Gas - Fireplace Assembly Plan (With Flue Accessory Kit) (For Bedrooms & Bathrooms)

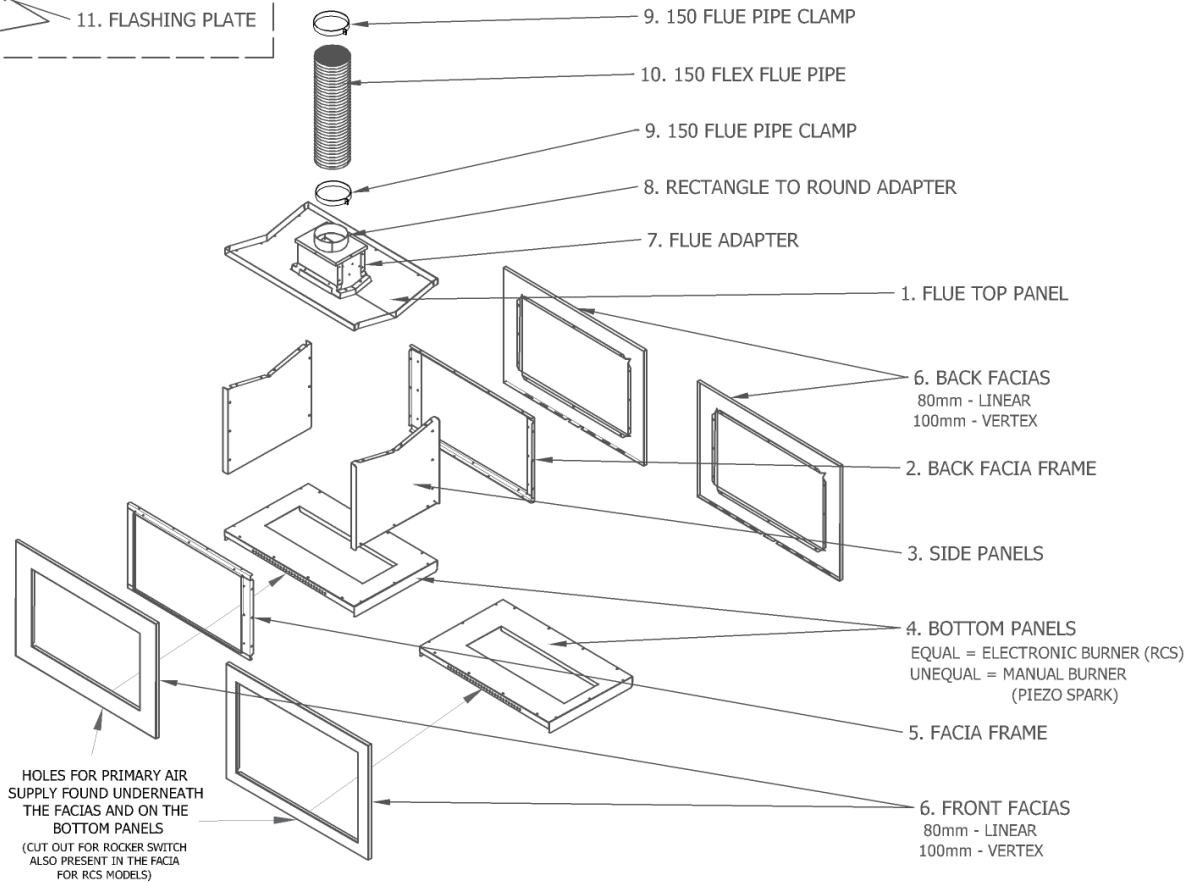
FOR UPWARD ROOF VENTILATION:



FOR BACK WALL VENTILATION:



OR



This fireplace requires a sufficient supply of oxygen from the room for proper operation, so adequate ventilation must be ensured. Air is supplied through holes in the firebox—please refer to the drawing for their location. **DO NOT** block or cover these holes. It must not be installed in a bathroom or bedroom unless flued (Accessory flue kit can be provided).

Only a SAQCC Registered Gas Practitioner may install the fireplace. The gas line should be placed under the burner, protruding from the floor. A conversion kit is required for natural gas. (please inquire when purchasing)

Our electronic fireplaces are powered by a 6V DC transformer included with the unit. A 220V, 3-pin standard outlet is required for the transformer. A battery backup is provided, but it should never be used as the primary power source. (*Batteries not included.)

No electrical point needs to be installed for manual- piezo ignition systems.

Install the fireplace in a solid, non-combustible, waterproof structure that meets SANS 10400 or any applicable national building regulations.

The fireplace burner is made from sheet metal, which may expand and bow under high heat but should return to normal once cooled down.

Please Note: SYAM ACCEPTS NO RESPONSIBILITY FOR ERRORS RESULTING FROM MISINTERPRETATIONS OF DRAWINGS. THE DESIGN OF THIS DRAWING IS COPYRIGHT PROTECTED © AND REMAINS THE PROPERTY OF SYAM.



WHEN QUALITY IS THE ONLY OPTION

