

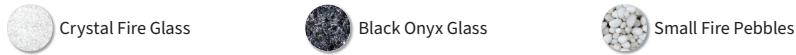
1600 Acappella Wall-Mounted Gas Fireplace



	Material: Stainless Steel <small>(Can have either type of finish)</small> Carbon Steel <small>(Can only be Black Coated)</small>		Finish: Brushed Black Coated White Coated		Product Weight: Firebox - 49.55 kg Burner - 6.35 kg Total Weight - 55.90 kg
--	---	--	---	--	---

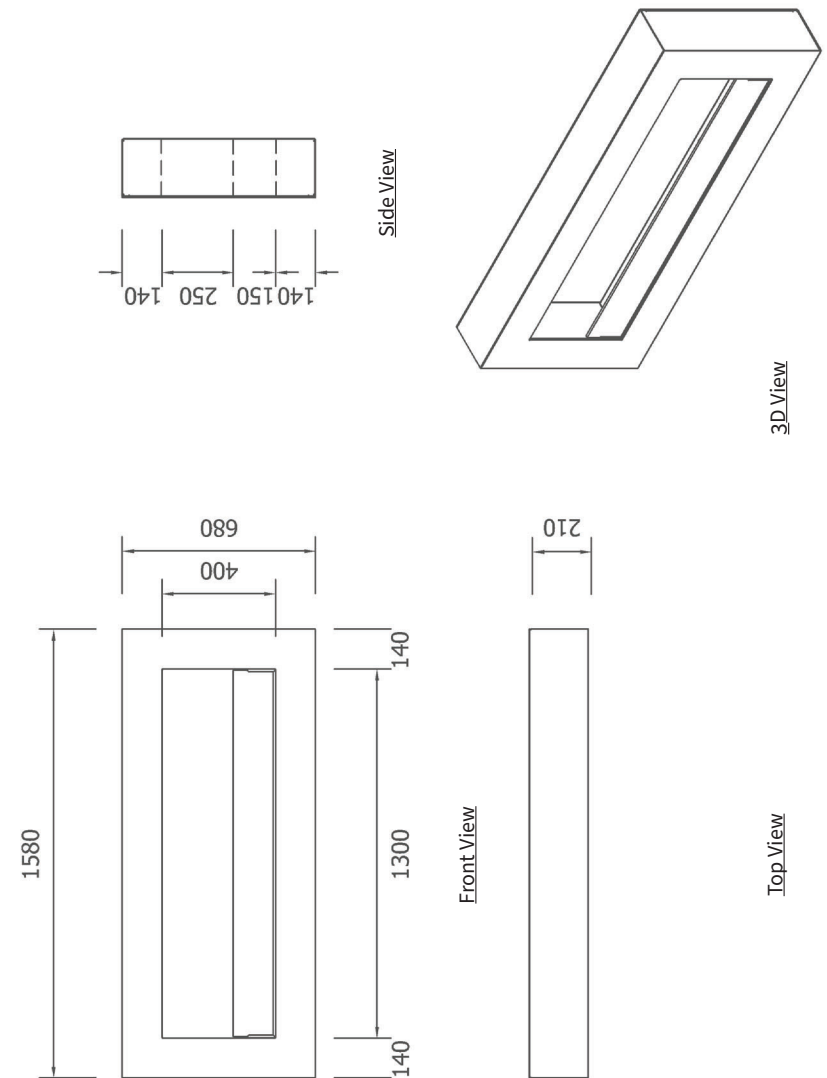
	Dimensions:	L	H	D
	Overall Box Size	1580	680	205
	Overall Burner Size - 1500 Fireline Grate	1460	190	100

Fireline Grate Media:



* Features:	Manual System	Remote Controlled System (RCS)
Ignition Type	Piezo Spark Ignition	Electronic Ignition (220V Required)
Smart Home Automation	N	Y
Fuel Type	LPG/NG	LPG/NG
Burner Type	Tubular J-Burner	Tubular J-Burner
Burner Consumption	LPG = 0.99 kg/h NG = 49.20 MJ/h	LPG = 0.99 kg/h NG = 49.20 MJ/h

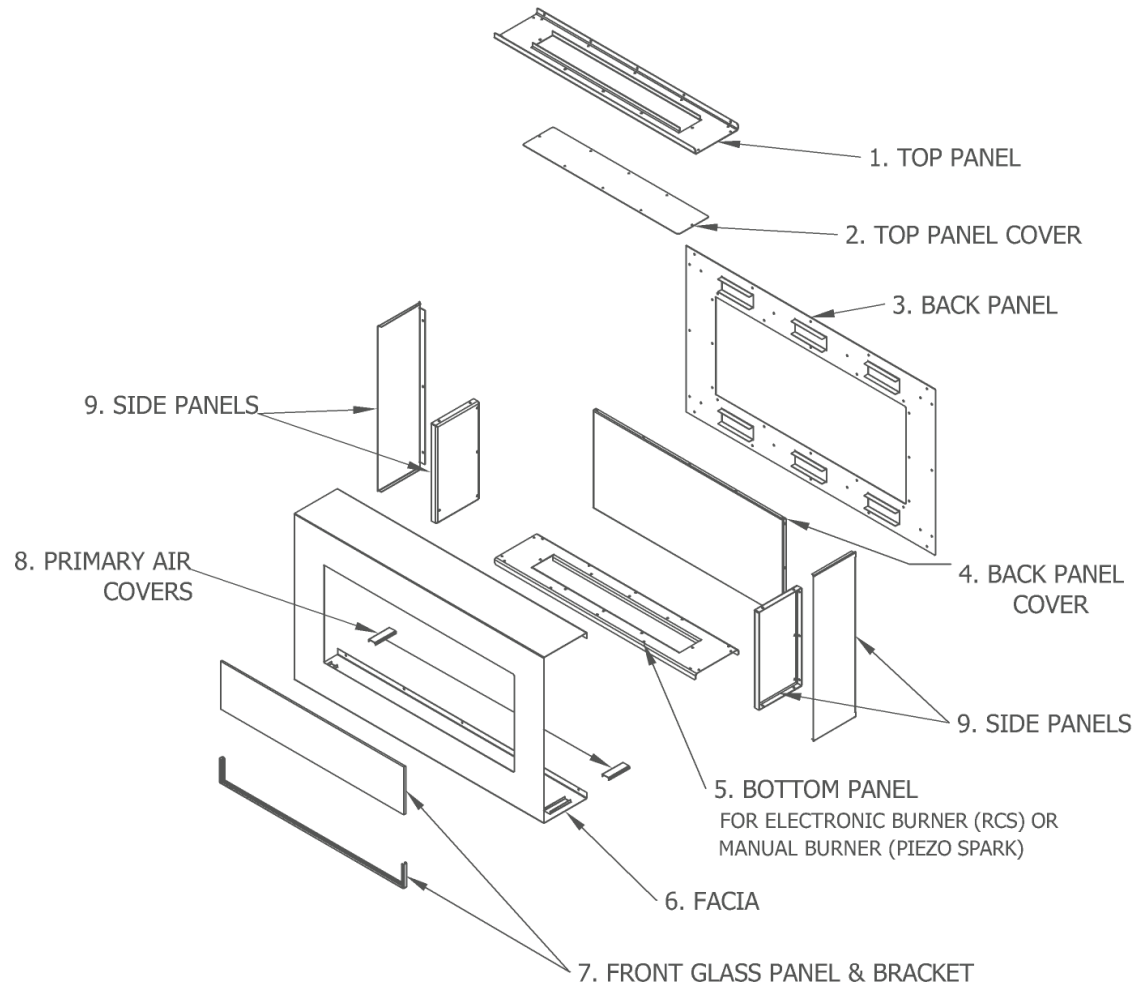
Product Views & Dimensions:



Please Note: SYAM ACCEPTS NO RESPONSIBILITY FOR ERRORS RESULTING FROM MISINTERPRETATIONS OF DRAWINGS. THE DESIGN OF THIS DRAWING IS COPYRIGHT PROTECTED © AND REMAINS THE PROPERTY OF SYAM.

IMPORTANT NOTICE: Before using your stainless appliance, remove all the PVC surface protection film and thoroughly clean all surfaces to remove the any adhesive left behind on the metal surface. Failure to do so may result in surface contamination & oxidation (rust) caused by atmospheric chlorides and/or other elements. Use hot soapy water which does not contain any ammonia, chlorides or chemicals. For safe operation of this appliance it is essential that the operator read the and follow the contents of the **OWNER'S MANUAL**. For details on the **OWNER'S MANUAL** please scan the **QR Code** found on your appliance.

Acappella Wall-Mounted Gas Fireplace Assembly Plan (Flueless)



This fireplace requires a sufficient supply of oxygen from the room for proper operation, so adequate ventilation must be ensured. Air is supplied through holes in the firebox—please refer to the drawing for their location. DO NOT block or cover these holes.

Only a SAQCC Registered Gas Practitioner may install the fireplace. The gas line should be placed under the burner, protruding from the wall. A conversion kit is required for natural gas. (please inquire when purchasing)

Our electronic fireplaces are powered by a 6V DC transformer included with the unit. A 220V, 3-pin standard outlet is required for the transformer. A battery backup is provided, but it should never be used as the primary power source. (*Batteries not included.)

No electrical point needs to be installed for manual- piezo ignition systems.

Install the fireplace on a solid, non-combustible, waterproof structure that meets SANS 10400 or any applicable national building regulations.

The fireplace burner is made from sheet metal, which may expand and bow under high heat but should return to normal once cooled down.

SYAM ACCEPTS NO RESPONSIBILITY FOR ERRORS RESULTING FROM MISINTERPRETATIONS OF DRAWINGS. THE DESIGN OF THIS DRAWING IS COPYRIGHT PROTECTED © AND REMAINS THE PROPERTY OF SYAM.

