

1600 Manual Fireline Gas Fire Grate



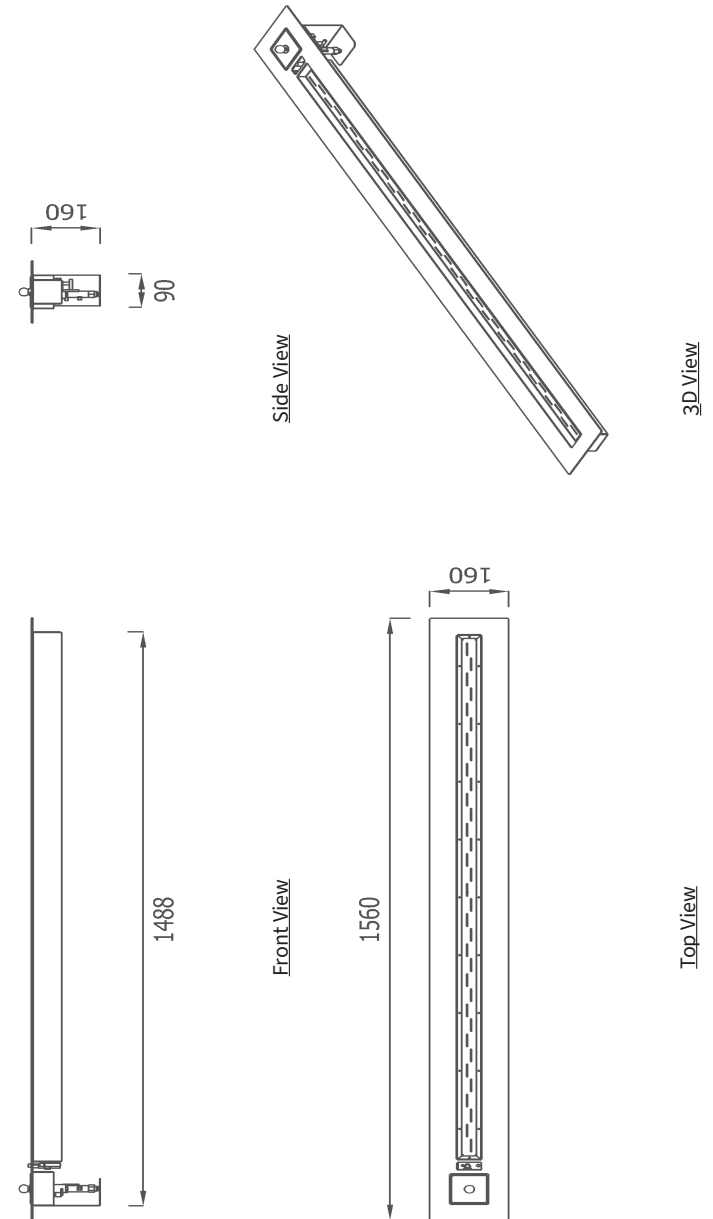
	Material:		Finish:		Product Weight:
	Carbon Steel (Standard) 304 Stainless Steel (Standard) 430 Stainless Steel (Optional) 316 Stainless Steel (Optional)		Black Coated Steel No. 4 Brushed Finish		6.346 kg

	Burner Configuration:	Burner Consumption:
Main	J-Burner	LPG = 0.99 kg/h NG = 49.20 MJ/h

	Dimensions:	L	H	D
Overall		1560	160	160

Important Notice:
 Before using your stainless appliance, remove all the PVC surface protection film and thoroughly clean all surfaces to remove the any adhesive left behind on the metal surface.
 Failure to do so may result in surface contamination & oxidisation (rust) caused by atmospheric chlorides and/or other elements. Use hot soapy water which does not contain any ammonia, chlorides or chemicals.
 For safe operation of this appliance it is essential that the operator read the and follow the contents of the **OWNER'S MANUAL**. For details on the **OWNER'S MANUAL** please scan the **QR Code** found on your appliance.

Product Views & Dimensions:

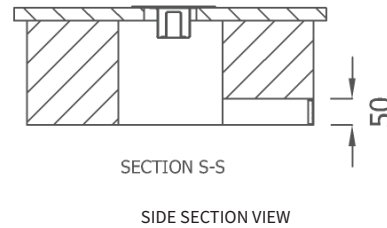
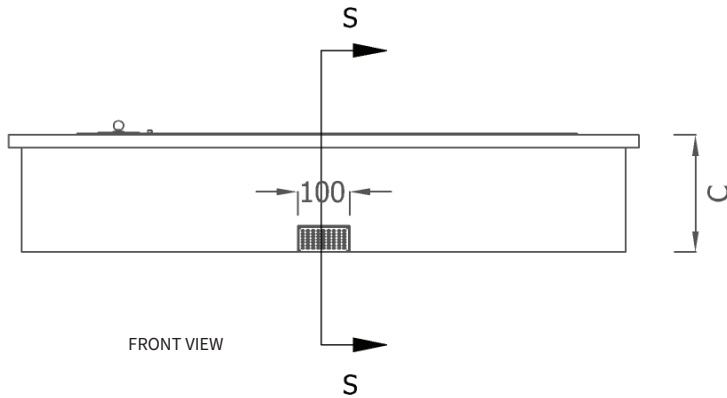


Manual Fireline Gas Fire Grate Built-In Dimensions & Installation Notes

*ALL DIMENSIONS ARE IN MILLIMETERS (mm)

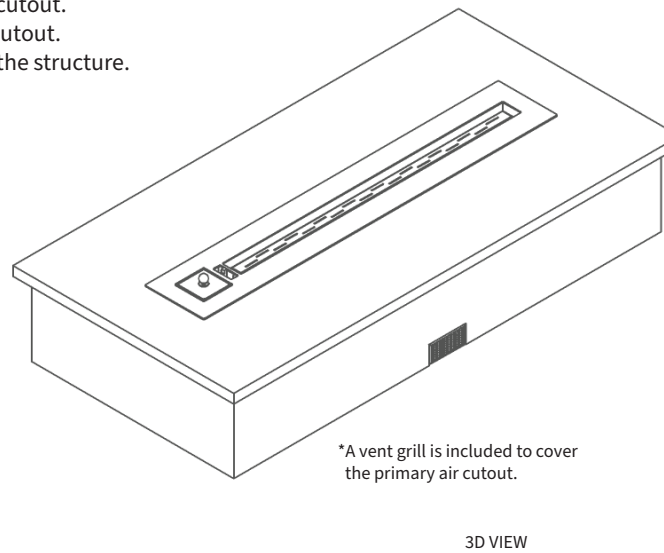
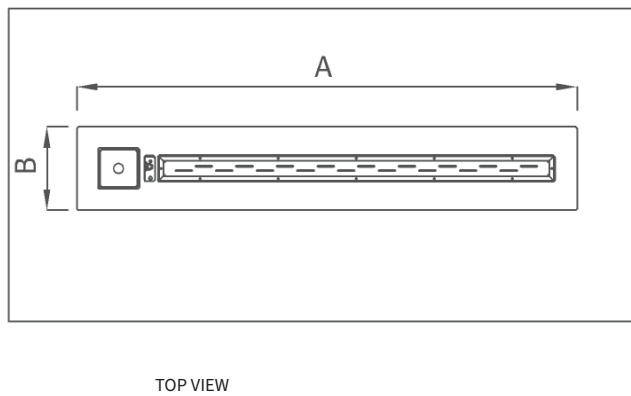
*ALL DIMENSIONS GIVEN ARE FINISHED & INCLUDE CLADDING, PLASTER, PAINT, ETC.

	600	800	1000	1200	1400	1600	1800	2100
A	500	700	900	1100	1300	1500	1700	2000
B	100	100	100	100	100	100	100	100
C	200(min)	200(min)	200(min)	200(min)	200(min)	200(min)	200(min)	200(min)



Notes for the table:

- *A - The length of the cavity cutout.
- *B - The width of the cavity cutout.
- *C - The minimum height of the structure.



*A vent grill is included to cover the primary air cutout.

This fireplace requires sufficient primary air supply from inside the room it is in. Please insure a cutout of 100mm x 50mm is present.

This fireplace shall not be installed in a bathroom or a bedroom unless flued. (Accessory flue kit can be supplied)

This fireplace consumes oxygen from the room in which they are installed. Provision for adequate ventilation must be provided. Only a SAQCC Registered Gas Practitioner in may install this product. The gas line should be placed under the burner. For natural gas a conversion kit is required. (Please advise when purchasing).

No electrical point needs to be installed for manual fire grates.

Fit the fireplace into a solid, non-combustible waterproof structure that complies with SANS 10400 and or any other national standard or building regulation applicable. This fireplace is manufactured from sheet metal, when subjected to high heat expansion and bowing may occur, but should return to normal once cool.

WHEN QUALITY IS THE ONLY OPTION

Please Note: SYAM ACCEPTS NO RESPONSIBILITY FOR ERRORS RESULTING FROM MISINTERPRETATIONS OF DRAWINGS. THE DESIGN OF THIS DRAWING IS COPYRIGHT PROTECTED © AND REMAINS THE PROPERTY OF SYAM.