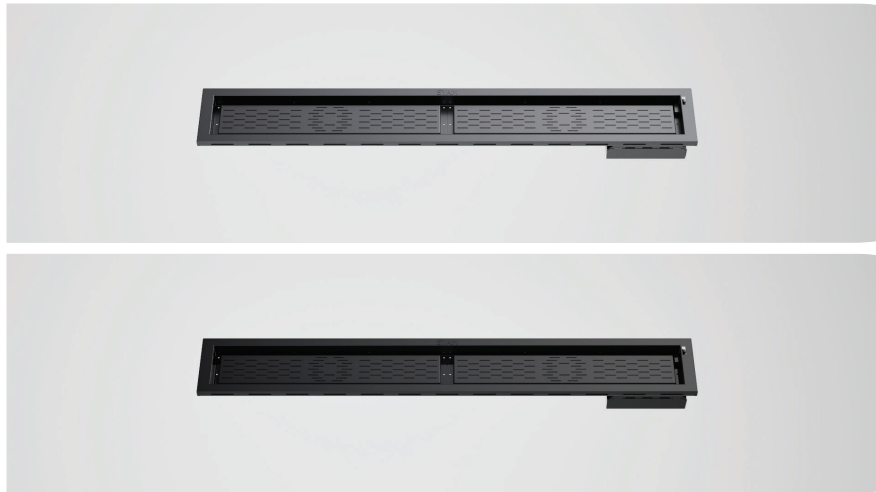


1800 RCS Designer Gas Fire Grate



	Material:		Finish:		Product Weight:
	Carbon Steel (Standard) 304 Stainless Steel (Standard) 430 Stainless Steel (Optional) 316 Stainless Steel (Optional)		Black Coated Steel No. 4 Brushed Finish No. 4 Brushed Black No. 4 Brushed Gold		16.7 kg

	Burner Configuration:	Burner Consumption:
Main	J-Burner	LPG = 1.69 kg/h NG = 84.00 MJ/h

	Dimensions:	L	H	D
Overall		1760	160	250

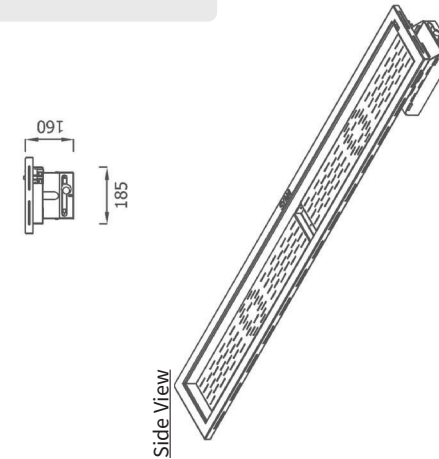
Designer Grate Media:

- Crystal Fire Glass
 - Black Onyx Glass
 - Small Fire Pebbles
 - Large Fire Pebbles
 - Vermiculite
- *Use with vermiculite

Important Notice:

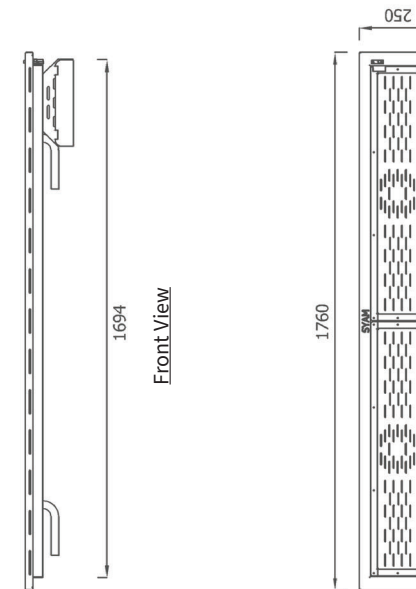
Before using your stainless appliance, remove all the PVC surface protection film and thoroughly clean all surfaces to remove the any adhesive left behind on the metal surface. Failure to do so may result in surface contamination & oxidisation (rust) caused by atmospheric chlorides and/ or other elements. Use hot soapy water which does not contain any ammonia, chlorides or chemicals. For safe operation of this appliance it is essential that the operator read the and follow the contents of the **OWNER'S MANUAL**. For details on the **OWNER'S MANUAL** please scan the **QR Code** found on your appliance.

(RCS) REMOTE CONTROLLED SYSTEM



Side View

3D View



Front View

Top View

Product Views & Dimensions:

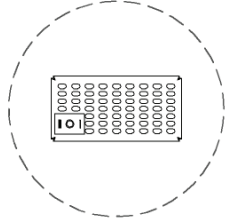
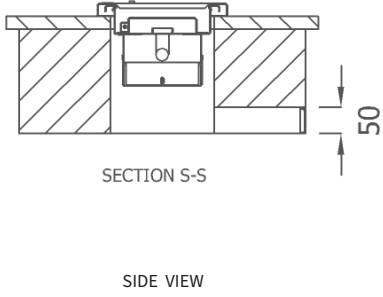
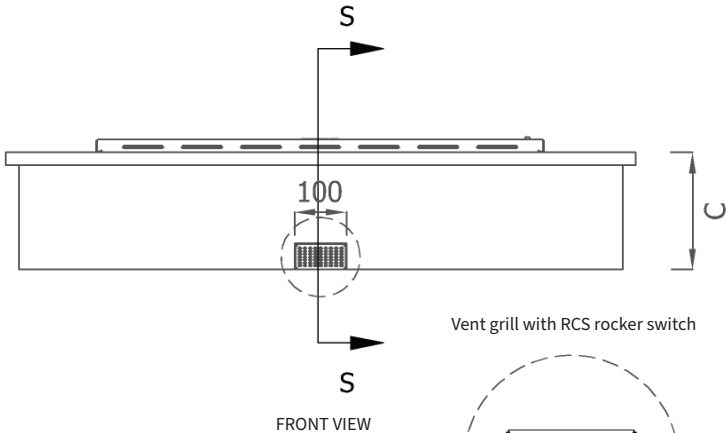


RCS Designer Gas Fire Grate Built-In Dimensions & Installation Notes

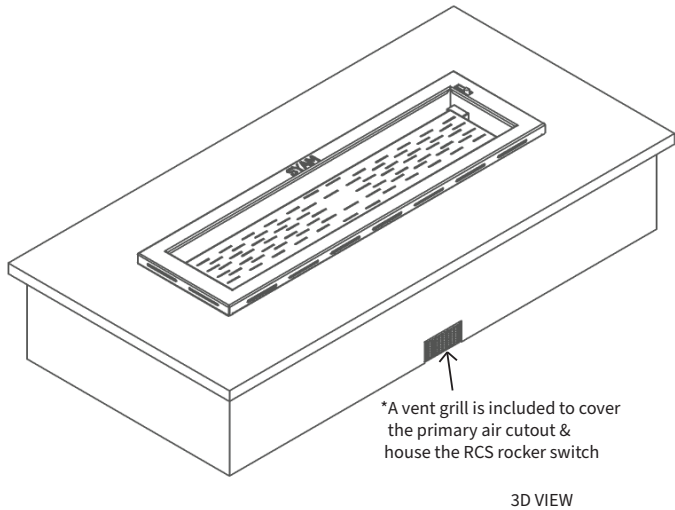
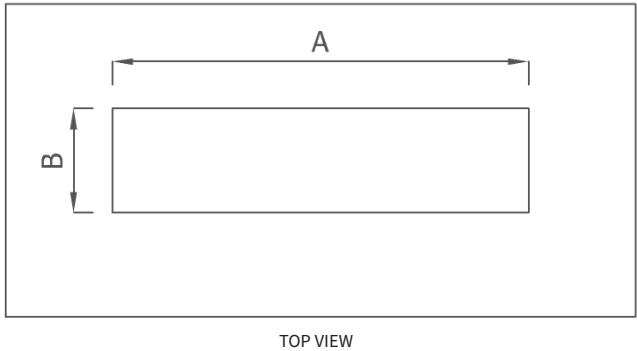
NON-COUNTERSUNK FITMENT

*ALL DIMENSIONS ARE IN MILLIMETERS (mm)
 *ALL DIMENSIONS GIVEN ARE FINISHED & INCLUDE CLADDING, PLASTER, PAINT, ETC.

	600	700	900	1200	1400	1600	1800	2100	2400
A	510	610	810	1110	1310	1510	1710	2010	2310
B	200	200	200	200	200	200	200	200	200
C	200(min)	200(min)	200(min)	200(min)	200(min)	200(min)	200(min)	200(min)	200(min)



Notes for the table:
 *A - The length of the cavity cutout.
 *B - The width of the cavity cutout.
 *C - The minimum height of the structure.



This fireplace requires sufficient primary air supply from inside the room it is in. Please insure a cutout of 100mm x 50mm is present.

This fireplace shall not be installed in a bathroom or a bedroom unless flued. (Accessory flue kit can be supplied)

This fireplace consumes oxygen from the room in which they are installed. Provision for adequate ventilation must be provided. Only a SAQCC Registered Gas Practitioner in may install this product. The gas line should be placed under the burner. For natural gas a conversion kit is required. (Please advise when purchasing).

This fireplace is powered by a 6V DC Transformer supplied with the unit. A 220V, 3-pin standard plug point must be supplied for the transformer to plug into. A battery backup is supplied with the fireplace however, this should never be used as the primary source of power (*Batteries are not included)

Fit the fireplace into a solid, non-combustible waterproof structure that complies with SANS 10400 and or any other national standard or building regulation applicable. This fireplace is manufactured from sheet metal, when subjected to high heat expansion and bowing may occur, but should return to normal once cool.

Please Note: SYAM ACCEPTS NO RESPONSIBILITY FOR ERRORS RESULTING FROM MISINTERPRETATIONS OF DRAWINGS. THE DESIGN OF THIS DRAWING IS COPYRIGHT PROTECTED © AND REMAINS THE PROPERTY OF SYAM.

WHEN QUALITY IS THE ONLY OPTION

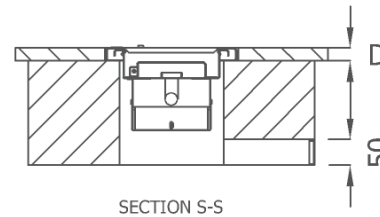
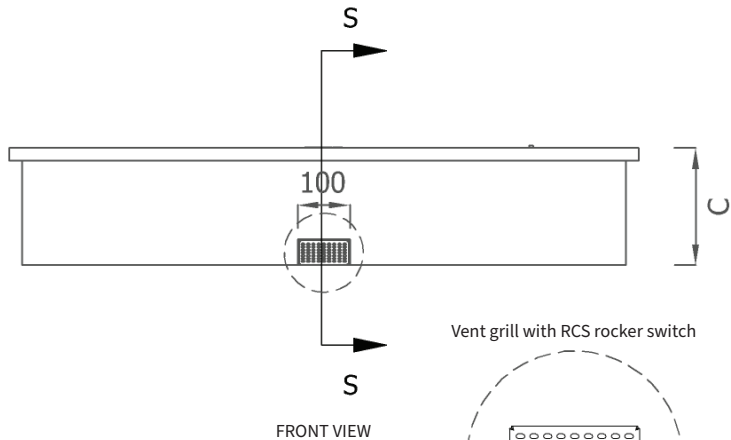
RCS Designer Gas Fire Grate Built-In Dimensions & Installation Notes

COUNTERSUNK FITMENT

*ALL DIMENSIONS ARE IN MILLIMETERS (mm)

*ALL DIMENSIONS GIVEN ARE FINISHED & INCLUDE CLADDING, PLASTER, PAINT, ETC.

	600	700	900	1200	1400	1600	1800	2100	2400
A1	565	665	865	1165	1365	1565	1765	2065	2365
A2	505	605	805	1105	1305	1505	1705	2005	2305
B1	255	255	255	255	255	255	255	255	255
B2	195	195	195	195	195	195	195	195	195
C	200(min)	200(min)	200(min)	200(min)	200(min)	200(min)	200(min)	200(min)	200(min)
D	25	25	25	25	25	25	25	25	25

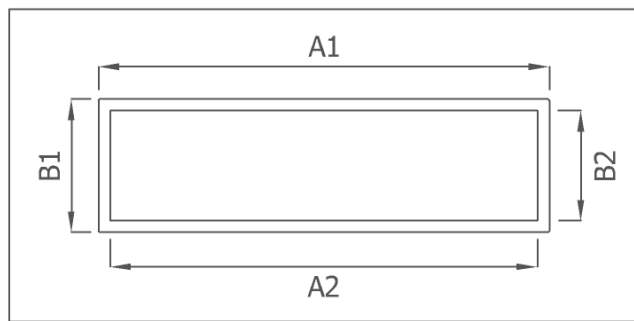


SECTION S-S

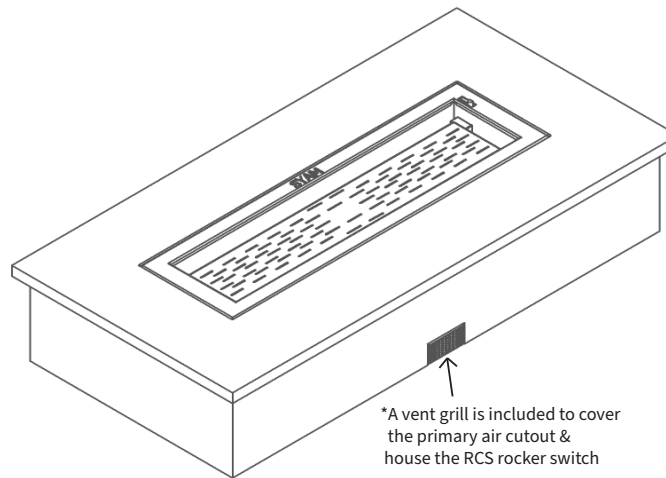
SIDE VIEW

Notes for the table:

- *A - The length of the cavity cutout.
- *B - The width of the cavity cutout.
- *C - The minimum height of the structure.
- *D - Finished height of countertop.



TOP VIEW



*A vent grill is included to cover the primary air cutout & house the RCS rocker switch

3D VIEW

This fireplace requires sufficient primary air supply from inside the room it is in. Please insure a cutout of 100mm x 50mm is present.

This fireplace shall not be installed in a bathroom or a bedroom unless flued. (Accessory flue kit can be supplied)

This fireplace consumes oxygen from the room in which they are installed. Provision for adequate ventilation must be provided. Only a SAQCC Registered Gas Practitioner in may install this product.

The gas line should be placed under the burner. For natural gas a conversion kit is required. (Please advise when purchasing).

This fireplace is powered by a 6V DC Transformer supplied with the unit. A 220V, 3-pin standard plug point must be supplied for the transformer to plug into.

A battery backup is supplied with the fireplace however, this should never be used as the primary source of power (*Batteries are not included)

Fit the fireplace into a solid, non-combustible waterproof structure that complies with SANS 10400 and or any other national standard or building regulation applicable.

This fireplace is manufactured from sheet metal, when subjected to high heat expansion and bowing may occur, but should return to normal once cool.