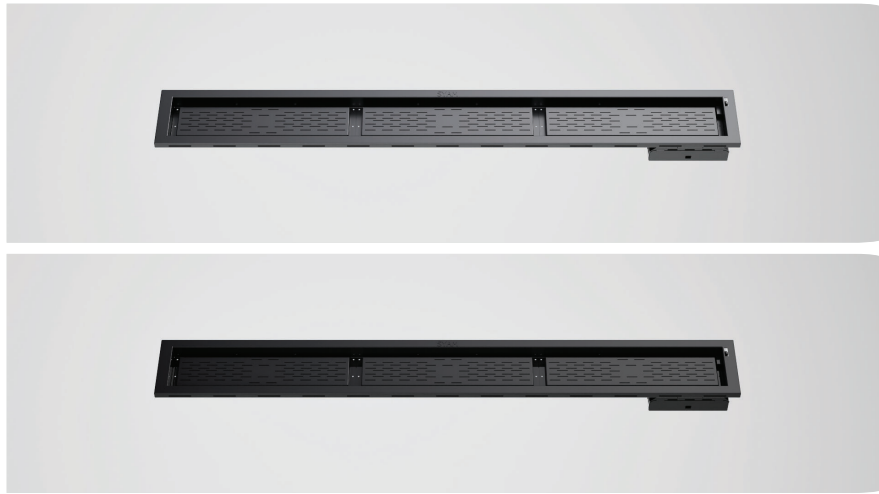


2100 RCS Designer Gas Fire Grate

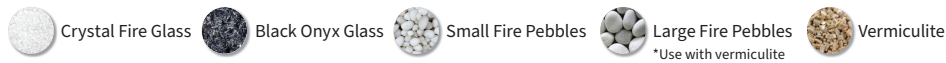


| | | | | | |
|--|---|--|---|--|------------------------|
| | Material: | | Finish: | | Product Weight: |
| | Carbon Steel (Standard) 304 Stainless Steel (Standard) 430 Stainless Steel (Optional) 316 Stainless Steel (Optional) | | Black Coated Steel No. 4 Brushed Finish No. 4 Brushed Black No. 4 Brushed Gold | | 19.3 kg |

| | | |
|------|------------------------------|--------------------------------------|
| | Burner Configuration: | Burner Consumption: |
| Main | J-Burner | LPG = 1.89 kg/h NG = 94.00 MJ/h |

| | | | | |
|---------|--------------------|------|-----|-----|
| | Dimensions: | L | H | D |
| Overall | | 2060 | 160 | 250 |

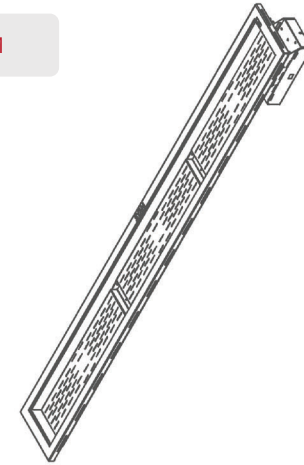
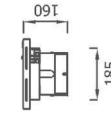
Designer Grate Media:



Important Notice:

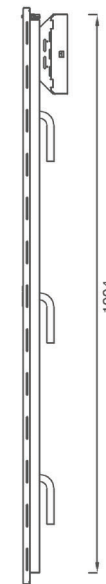
Before using your stainless appliance, remove all the PVC surface protection film and thoroughly clean all surfaces to remove the any adhesive left behind on the metal surface. Failure to do so may result in surface contamination & oxidisation (rust) caused by atmospheric chlorides and/or other elements. Use hot soapy water which does not contain any ammonia, chlorides or chemicals. For safe operation of this appliance it is essential that the operator read the and follow the contents of the **OWNER'S MANUAL**. For details on the **OWNER'S MANUAL** please scan the **QR Code** found on your appliance.

(RCS) REMOTE CONTROLLED SYSTEM

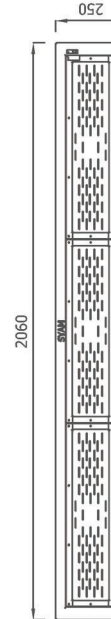


Side View

3D View



Front View



Top View

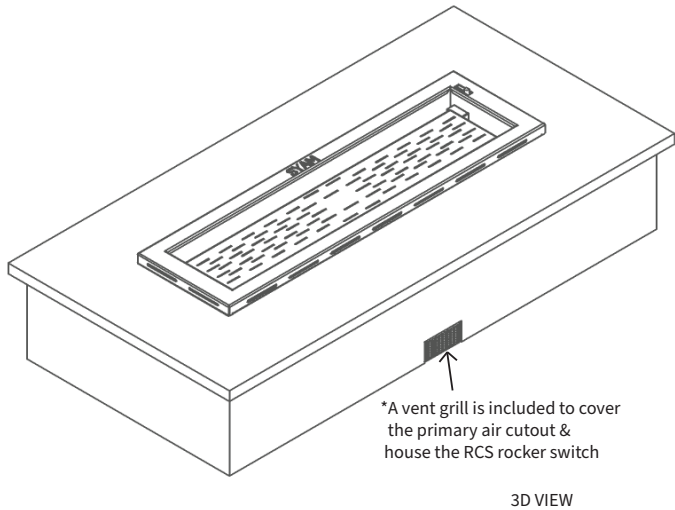
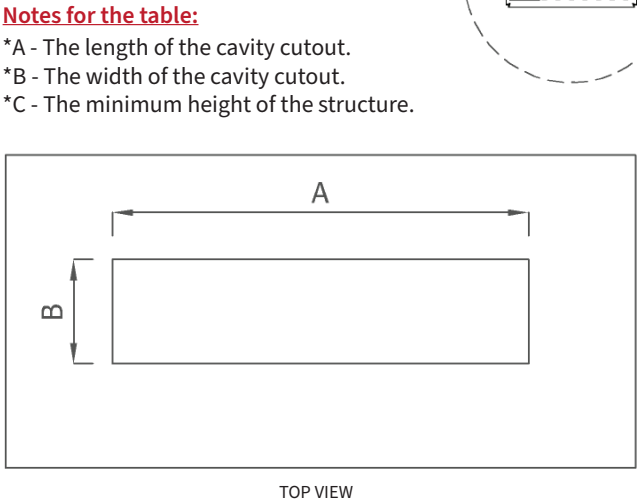
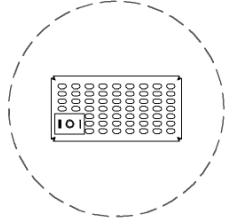
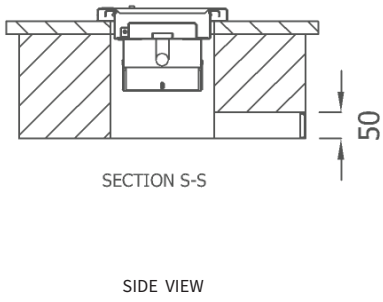
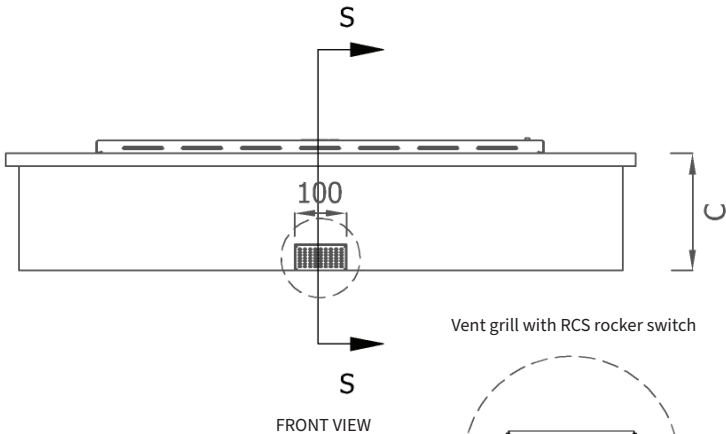


RCS Designer Gas Fire Grate Built-In Dimensions & Installation Notes

NON-COUNTERSUNK FITMENT

*ALL DIMENSIONS ARE IN MILLIMETERS (mm)
 *ALL DIMENSIONS GIVEN ARE FINISHED & INCLUDE CLADDING, PLASTER, PAINT, ETC.

| | 600 | 700 | 900 | 1200 | 1400 | 1600 | 1800 | 2100 | 2400 |
|----------|----------|----------|----------|----------|----------|----------|----------|----------|----------|
| A | 510 | 610 | 810 | 1110 | 1310 | 1510 | 1710 | 2010 | 2310 |
| B | 200 | 200 | 200 | 200 | 200 | 200 | 200 | 200 | 200 |
| C | 200(min) | 200(min) | 200(min) | 200(min) | 200(min) | 200(min) | 200(min) | 200(min) | 200(min) |



This fireplace requires sufficient primary air supply from inside the room it is in. Please insure a cutout of 100mm x 50mm is present.

This fireplace shall not be installed in a bathroom or a bedroom unless flued. (Accessory flue kit can be supplied)

This fireplace consumes oxygen from the room in which they are installed. Provision for adequate ventilation must be provided. Only a SAQCC Registered Gas Practitioner in may install this product. The gas line should be placed under the burner. For natural gas a conversion kit is required. (Please advise when purchasing).

This fireplace is powered by a 6V DC Transformer supplied with the unit. A 220V, 3-pin standard plug point must be supplied for the transformer to plug into. A battery backup is supplied with the fireplace however, this should never be used as the primary source of power (*Batteries are not included)

Fit the fireplace into a solid, non-combustible waterproof structure that complies with SANS 10400 and or any other national standard or building regulation applicable. This fireplace is manufactured from sheet metal, when subjected to high heat expansion and bowing may occur, but should return to normal once cool.

WHEN QUALITY IS THE ONLY OPTION

Please Note: SYAM ACCEPTS NO RESPONSIBILITY FOR ERRORS RESULTING FROM MISINTERPRETATIONS OF DRAWINGS. THE DESIGN OF THIS DRAWING IS COPYRIGHT PROTECTED © AND REMAINS THE PROPERTY OF SYAM.



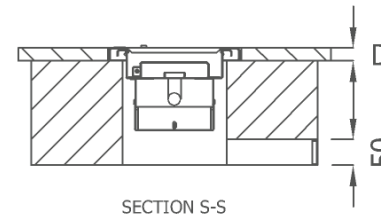
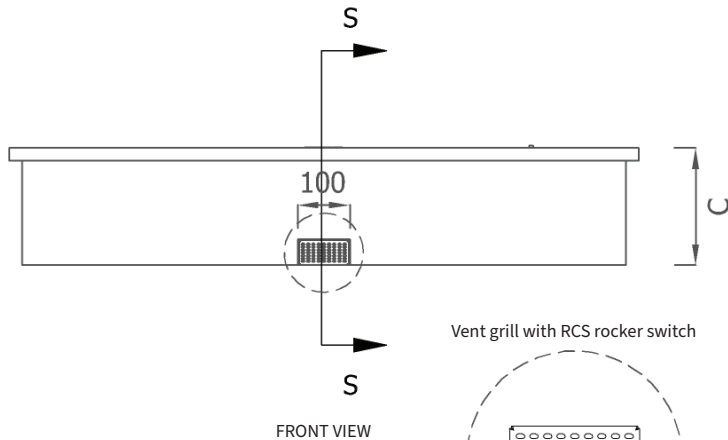
RCS Designer Gas Fire Grate Built-In Dimensions & Installation Notes

COUNTERSUNK FITMENT

*ALL DIMENSIONS ARE IN MILLIMETERS (mm)

*ALL DIMENSIONS GIVEN ARE FINISHED & INCLUDE CLADDING, PLASTER, PAINT, ETC.

| | 600 | 700 | 900 | 1200 | 1400 | 1600 | 1800 | 2100 | 2400 |
|----|----------|----------|----------|----------|----------|----------|----------|----------|----------|
| A1 | 565 | 665 | 865 | 1165 | 1365 | 1565 | 1765 | 2065 | 2365 |
| A2 | 505 | 605 | 805 | 1105 | 1305 | 1505 | 1705 | 2005 | 2305 |
| B1 | 255 | 255 | 255 | 255 | 255 | 255 | 255 | 255 | 255 |
| B2 | 195 | 195 | 195 | 195 | 195 | 195 | 195 | 195 | 195 |
| C | 200(min) | 200(min) | 200(min) | 200(min) | 200(min) | 200(min) | 200(min) | 200(min) | 200(min) |
| D | 25 | 25 | 25 | 25 | 25 | 25 | 25 | 25 | 25 |

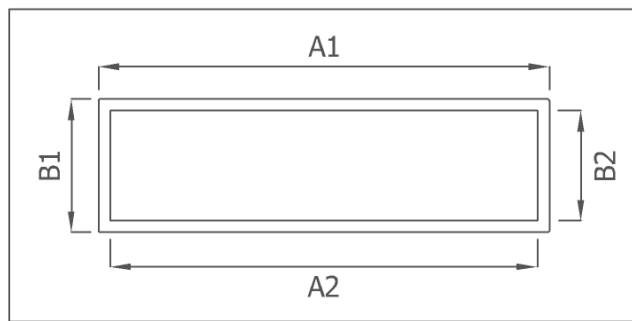


SECTION S-S

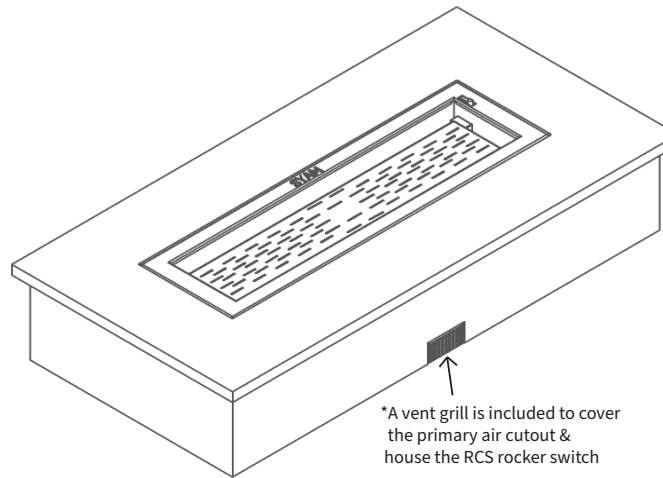
SIDE VIEW

Notes for the table:

- *A - The length of the cavity cutout.
- *B - The width of the cavity cutout.
- *C - The minimum height of the structure.
- *D - Finished height of countertop.



TOP VIEW



*A vent grill is included to cover the primary air cutout & house the RCS rocker switch

3D VIEW

This fireplace requires sufficient primary air supply from inside the room it is in. Please insure a cutout of 100mm x 50mm is present.

This fireplace shall not be installed in a bathroom or a bedroom unless flued. (Accessory flue kit can be supplied)

This fireplace consumes oxygen from the room in which they are installed. Provision for adequate ventilation must be provided. Only a SAQCC Registered Gas Practitioner in may install this product.

The gas line should be placed under the burner. For natural gas a conversion kit is required. (Please advise when purchasing).

This fireplace is powered by a 6V DC Transformer supplied with the unit. A 220V, 3-pin standard plug point must be supplied for the transformer to plug into.

A battery backup is supplied with the fireplace however, this should never be used as the primary source of power (*Batteries are not included)

Fit the fireplace into a solid, non-combustible waterproof structure that complies with SANS 10400 and or any other national standard or building regulation applicable.

This fireplace is manufactured from sheet metal, when subjected to high heat expansion and bowing may occur, but should return to normal once cool.