

## Authentic 3 Stainless Drop-in Gas Braai | Bbq



<b>Material:</b>	<b>Finish:</b>	<b>Product Weight:</b>
304 Stainless Steel (Standard) 430 Stainless Steel (Optional) 316 Stainless Steel (Optional)	No. 4 Brushed Finish	30 kg

<b>Burner Configuration:</b>	<b>Burner Consumption:</b>
Main 3 x U-Shape	LPG = 0.361 kg/h NG = 18.05 MJ/h

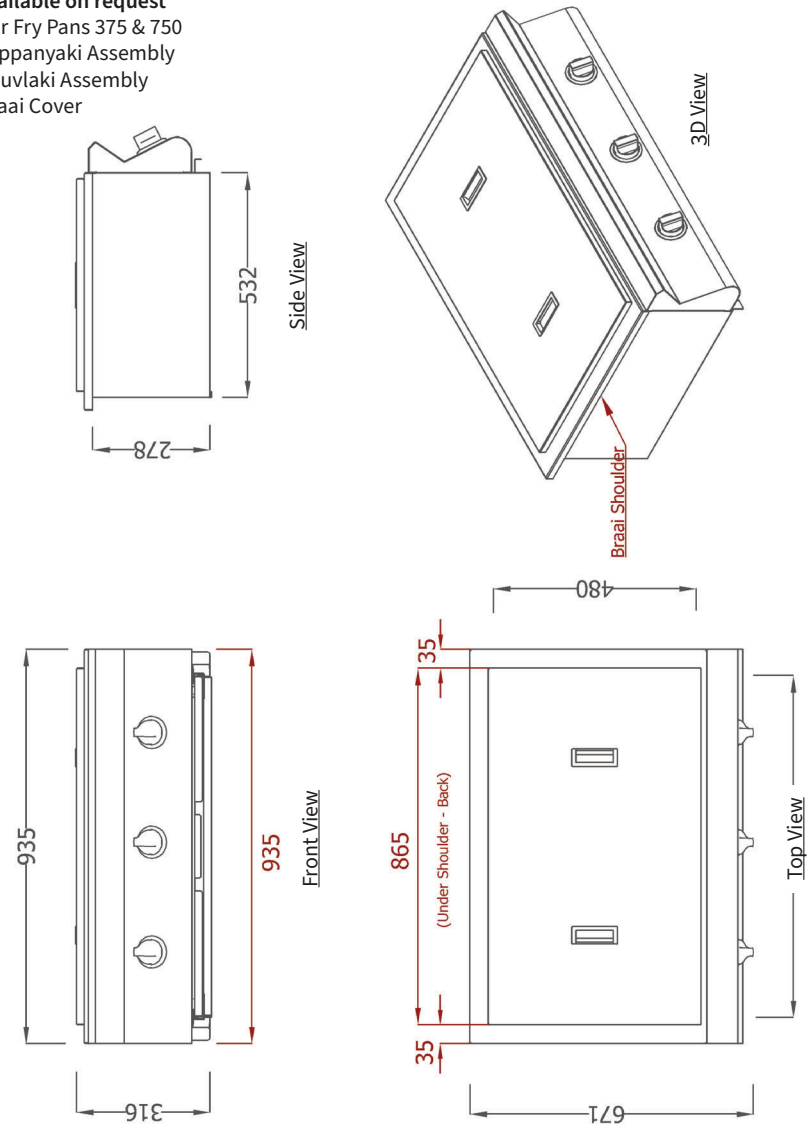
<b>Dimensions:</b>	L	H	D
Overall	935	316	671
Grilling Area	810	x	480
Cut-Out Dimensions	880	280	540

<b>* Features:</b>
<ul style="list-style-type: none"> <li>Stainless Flat Lid</li> <li>Die-Cast Alloy Knobs</li> <li>Fully Removable Drip Tray</li> <li>Stainless Round Bar Grids</li> <li>Stainless Flame Tamers</li> <li>Gas Pressure: LPG - 2.8 kPa   NG - 2.0 kPa</li> <li>Piezo Ignition On Each Burner</li> <li>LPG(Standard) / NG* Compatible: *For NG a conversion kit is required</li> </ul>

### Optional Braai Accessories:

- \*available on request
- Stir Fry Pans 375 & 750
- Teppanyaki Assembly
- Souvlaki Assembly
- Braai Cover

### Product Views & Dimensions:



**IMPORTANT NOTICE:** Before using your stainless appliance, remove all the PVC surface protection film and thoroughly clean all surfaces to remove the any adhesive left behind on the metal surface. Failure to do so may result in surface contamination & oxidation (rust) caused by atmospheric chlorides and/or other elements. Use hot soapy water which does not contain any ammonia, chlorides or chemicals. For safe operation of this appliance it is essential that the operator read the and follow the contents of the **OWNER'S MANUAL**. For details on the **OWNER'S MANUAL** please scan the **QR Code** found on your appliance.

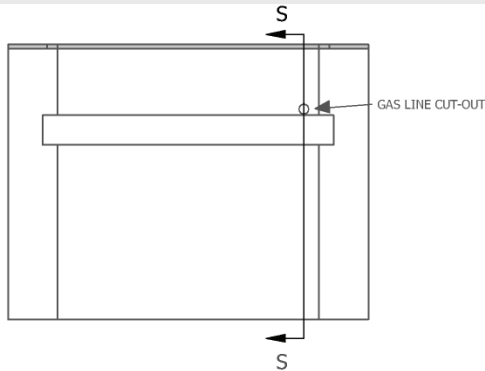


Please Note: SYAM ACCEPTS NO RESPONSIBILITY FOR ERRORS RESULTING FROM MISINTERPRETATIONS OF DRAWINGS. THE DESIGN OF THIS DRAWING IS COPYRIGHT PROTECTED © AND REMAINS THE PROPERTY OF SYAM.

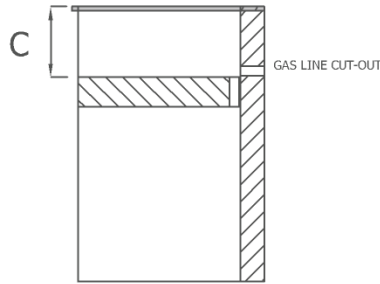
## Drop-In Braai | Bbq Dimensions & Installation Notes

\*ALL DIMENSIONS ARE IN MILLIMETERS (mm)

\*ALL DIMENSIONS GIVEN ARE FINISHED & INCLUDE CLADDING, PLASTER, PAINT, ETC.

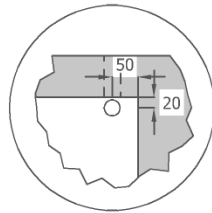


Front View

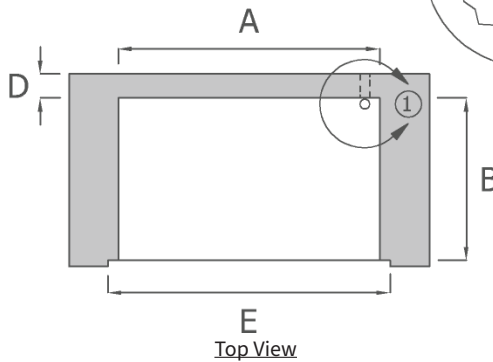


SECTION S-S

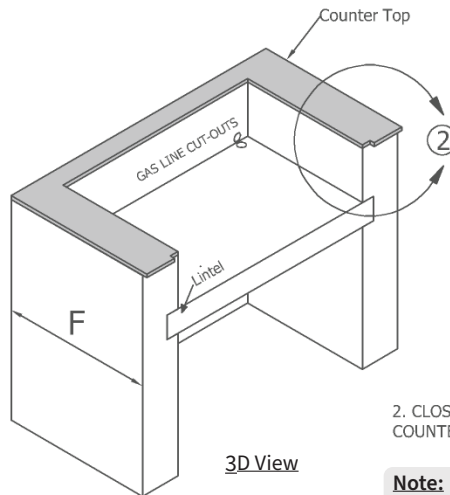
Side View



2. GAS LINE CUT-OUT DETAIL



Top View



3D View

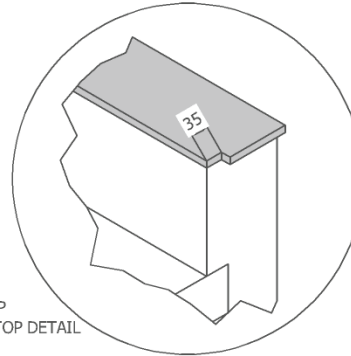
2. CLOSE-UP COUNTER TOP DETAIL

	CUISINE 4	CUISINE 6	AUTHENTIC 3	AUTHENTIC 5	CHARCOAL DOME & SPIT	CHARCOAL FLAT GRILL
A	880	880	880	880	880	880
B	540	540	540	540	540	540
C	280	280	280	280	280	280
D	80(min)	80(min)	80(min)	80(min)	80(min)	80(min)
E	950	950	950	950	950	950
F	620(min)	620(min)	620(min)	620(min)	620(min)	620(min)

### Notes for the above:

- \*A - The braai fits into the cavity and is supported by the shoulders which rests upon the counter top. (See Product 3D View on Page 2 for Shoulder Part)
- \*B - This **does not include** the counter top overhang distance if used.
- \*C - This dimension **includes** the height of the countertop.
- \*D - This is the minimum needed to allow for the dome lid to open fully. The thickness of a “backsplash” when used, should be added to this.
- \*E - Specific to the counter top overhang, the cutting depth would equal the overhang distance.
- \*F - This is the minimum dimension of the structure underneath the counter top. Which is calculated as:  $F (620\text{mm}) = B (540\text{mm}) + D (80\text{mm min})$

### Counter Top Overhang



### Braai/Bbq:

Please leave a minimum of:

- 200mm to either side of the cut-out,
- 80mm to the back,
- 800mm above the counter top.

### Optional Extras:

- The following items are also available for purchase:
- **Independent Side Cooker:** (1,2 or 3 Burner Model)
    - Please refer to the “Independent Side Cooker” sheet for more information.
  - **Stainless Cupboard Doors:**
    - Please refer to the “Cupboard Doors” sheet for more information.
  - **Hood Extractor:**
    - Please refer to the “Hood Extractor” sheet for more information.

### Gas & Electrical: (Only Applicable For Gas Units)

- \*When the gas supply is from a 9kg LP Gas cylinder underneath the braai, a 2.8 kPa low pressure bull nose regulator complying with SANS 1237 must be used.
- \*When installing the braai to a fixed gas line, it should be done by a Registered SAQCC Gas Practitioner in compliance with SANS 10087-1 and the User Manual.
- \*The rotisserie motor supplied with the braai/bbq operates on a 2 x 1.5V D-Size batteries.
- \*Any electrical plug and/or isolator point is required to be a minimum of 200mm left/right of the gas braai.

### Note:

- Any structure which will be provided to house this product must comply with SANS 10400 and or any other national standard or building regulation applicable.

\*A gas line must be supplied inside the cavity. (Only Applicable For Gas Units)

- \*For indoor installations it is necessary to install a braai / bbq hood extractor.
- \*Build the appliance into a solid, non-combustible and waterproof area. (Please inquire about our matching hood extractors for more information.)