

Hob Griller 6 Stainless Gas Braai | Bbq



Material:	Finish:	Product Weight:
304 Stainless Steel (Standard) 430 Stainless Steel (Optional) 316 Stainless Steel (Optional)	No. 4 Brushed Finish	56.5 kg

Burner Configuration:	Burner Consumption:
Main: 6 x I-Shape	LPG = 0.233 kg/h NG = 11.65 MJ/h

Dimensions:	L	H	D
Overall	1545	250	545
Grilling Area	1135	x	445
Cut -Out Dimensions	1465	220	515

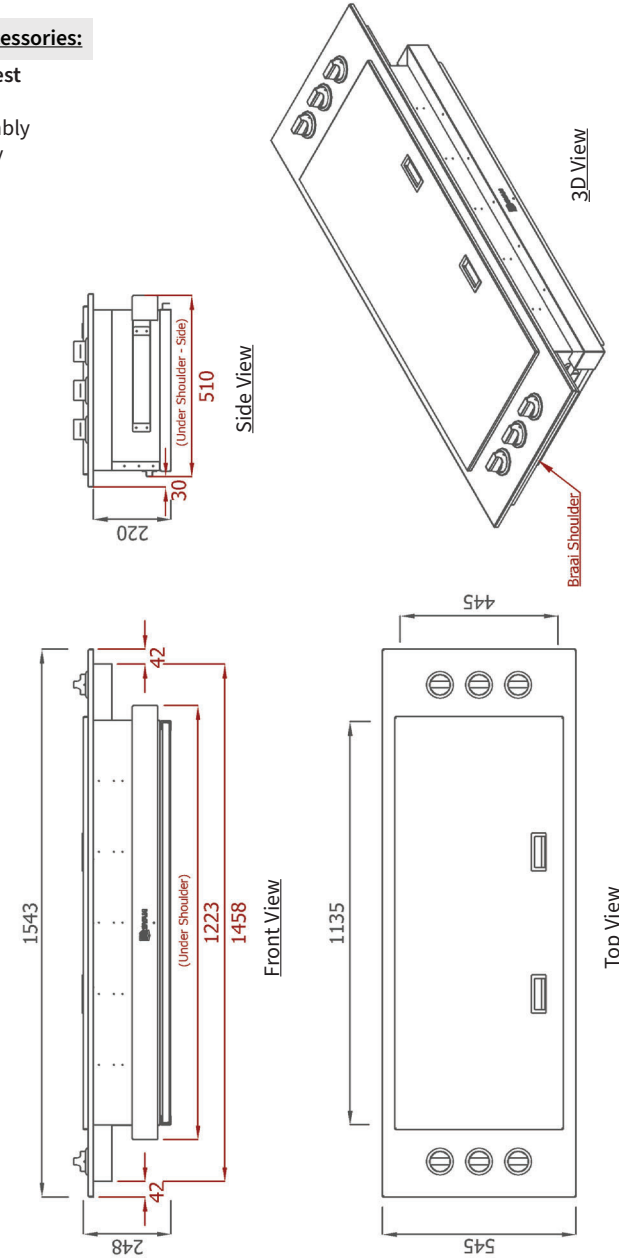
*** Features:**

- Stainless Flat Lid
- Stainless Round Bar Grids
- Piezo Ignition On Each Burner
- Die-Cast Alloy Knobs
- Stainless Flame Tamers
- LPG(Standard) / NG* Compatible:
*For NG a conversion kit is required
- Fully Removable Drip Tray
- Gas Pressure:
LPG - 2.8 kPa | NG - 2.0 kPa

Optional Braai Accessories:

- *available on request
- Stir Fry Pans
- Teppanyaki Assembly
- Souvlaki Assembly
- Braai Cover

Product Views & Dimensions:



IMPORTANT NOTICE: Before using your stainless appliance, remove all the PVC surface protection film and thoroughly clean all surfaces to remove the any adhesive left behind on the metal surface. Failure to do so may result in surface contamination & oxidation (rust) caused by atmospheric chlorides and/or other elements. Use hot soapy water which does not contain any ammonia, chlorides or chemicals. For safe operation of this appliance it is essential that the operator read the and follow the contents of the **OWNER'S MANUAL**. For details on the **OWNER'S MANUAL** please scan the **QR Code** found on your appliance.



Drop-In Braai | Bbq Dimensions & Installation Notes

*ALL DIMENSIONS ARE IN MILLIMETERS (mm)

*ALL DIMENSIONS GIVEN ARE FINISHED & INCLUDE CLADDING, PLASTER, PAINT, ETC.

	Hob Grill 2	Hob Grill 3	Hob Grill 4	Hob Grill 5	Hob Grill 6	Hob Grill 7	Hob Grill 8
A(1&2)	675	875	1010	1330	1465	1665	1800
B	515	515	515	515	515	515	515
C	220	220	220	220	220	220	220
D(1&2)	80(min)	80(min)	80(min)	80(min)	80(min)	80(min)	80(min)
E	110	110	110	110	110	110	110
F	675	675	675	675	675	675	675

Notes for the above:

*A1 & A2 are the same size.

*A2 - The braai fits into the cavity and is supported by the shoulders which rests upon the counter top. (See Product 3D View on Page 2 for Shoulder Parts)

*C - This dimension **includes** the height of the countertop.

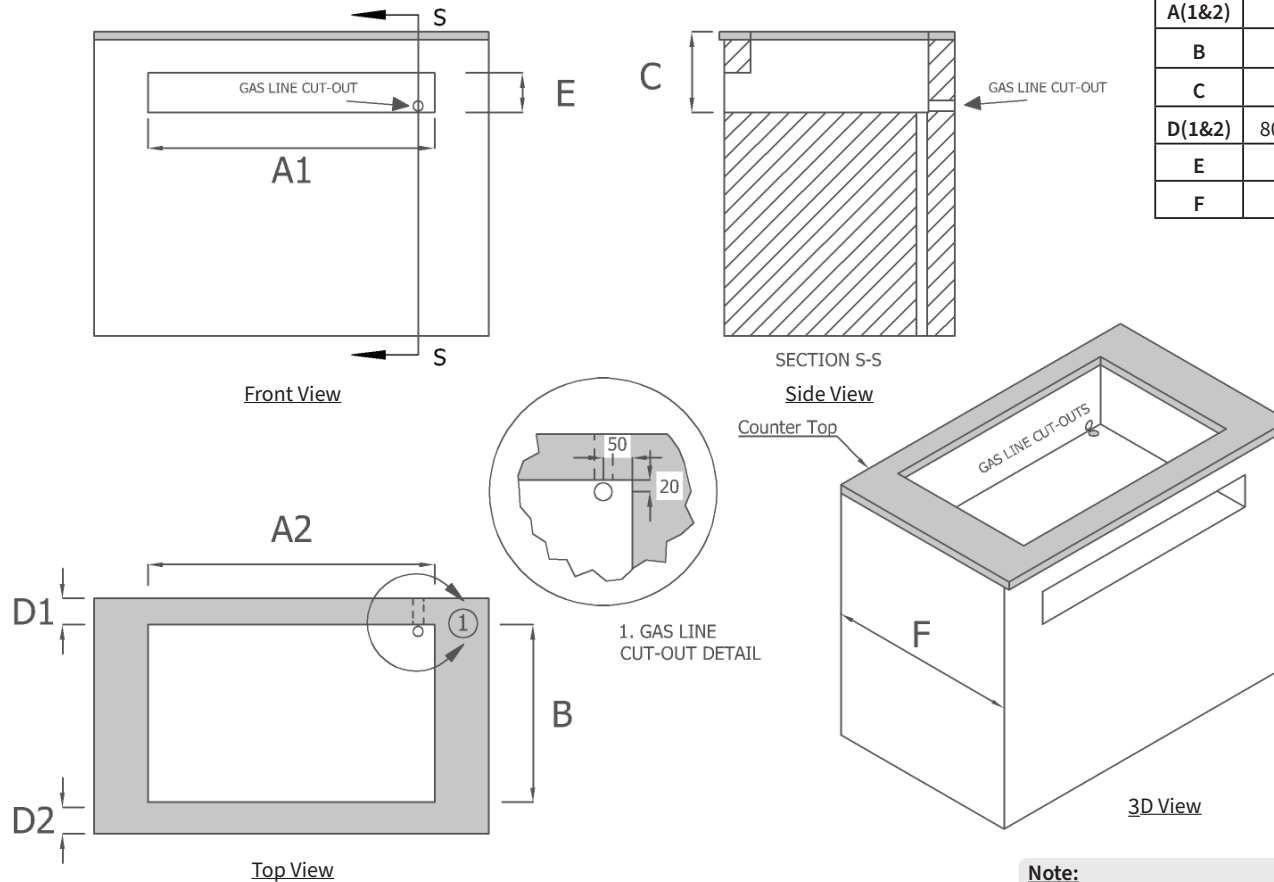
*D(1) - This is the minimum space needed behind the braai to allow for the lid to open all the way. The thickness of a 'backsplash' if used, should be added to this.

*D(2) - This is the minimum space needed in front of the braai to match the space at the back.

*E - The minimum height needed to allow for removal of the drip tray.

*F - This is the minimum dimension of the structure underneath the counter top.

Which is calculated as: $F (675mm) = B (515mm) + D1 (80mm \text{ min}) + D2 (80mm \text{ min})$



Braai/Bbq:
 Please leave a minimum of:
 - 200mm to either side of the cut-out,
 - 80mm to the back,
 - 800mm above the counter top.

Optional Extras:
 The following items are also available for purchase:
 • **Hob Grill Side Cooker:** (1,2 or 3 Burner Model)
 - Please refer to the "Independent Side Cooker" sheet for more information.
 • **Stainless Cupboard Doors:**
 - Please refer to the "Cupboard Doors" sheet for more information.
 • **Hood Extractor:**
 - Please refer to the "Hood Extractor" sheet for more information.

Note:
 - Any structure which will be provided to house this product must comply with SANS 10400 and or any other national standard or building regulation applicable.

*A gas line must be supplied inside the cavity. (Only Applicable For Gas Units)
 *For indoor installations it is necessary to install a braai / bbq hood extractor.
 *Build the appliance into a solid, non-combustible and waterproof area.
 (Please inquire about our matching hood extractors for more information.)

Gas & Electrical: (Only Applicable For Gas Units)
 *When the gas supply is from a 9kg LP Gas cylinder underneath the braai, a 2.8 kPa low pressure bull nose regulator complying with SANS 1237 must be used.
 *When installing the braai to a fixed gas line, it should be done by a Registered SAQCC Gas Practitioner in compliance with SANS 10087-1 and the User Manual.
 *The rotisserie motor supplied with the braai/bbq operates on a 2 x 1.5V D-Size batteries.
 *Any electrical plug and/or isolator point is required to be a minimum of 200mm left/right of the gas braai.

SYAM ACCEPTS NO RESPONSIBILITY FOR ERRORS RESULTING FROM MISINTERPRETATIONS OF DRAWINGS. THE DESIGN OF THIS DRAWING IS COPYRIGHT PROTECTED © AND REMAINS THE PROPERTY OF SYAM.

WHEN QUALITY IS THE ONLY OPTION