

## Prestige 5 Stainless Mobile Gas Braai | Bbq



### Material:

304 Stainless Steel (Standard)  
430 Stainless Steel (Optional)  
316 Stainless Steel (Optional)

### Finish:

No. 4 Brushed Finish



### Product Weight:

140 kg



### Burner Configuration:

		Burner Consumption:	
Main	3 x U-Shape	LPG = 0.361	NG = 18.05 MJ/h
*Rotisserie	1 x Infared	LPG = 0.276	NG = 13.80 MJ/h
Side Cooker 1	1 x Wok	LPG = 0.223	NG = 11.65 MJ/h

\*Includes Rotisserie Kit ( DC Motor, Hex Rod, Spit Set, Handle & Counter Weight)



### Dimensions: (mm)

	L	H	D
With Side Table & Towel Rail	1795	1181	676
Without Side Table & Towel Rail	1414	1181	676
Grilling Area	810	x	480
Side Cooking Area	330	x	410

### \* Features:



Double Layered Dome Lid



Fully Removable Drip Tray



Flame Failure Safety Device



Dome Heat Thermometer



Stainless Round Bar Grids



Gas Pressure:  
LPG - 2.8 kPa | NG - 2.0 kPa



Die-Cast Alloy Knobs



Stainless Warming Rack



Piezo Ignition On Each Burner



Stainless Smoker Box



Stainless Flame Tamers

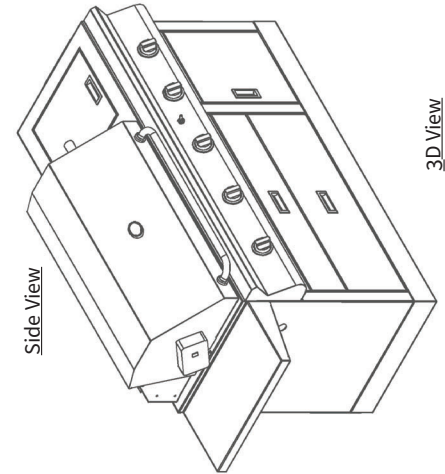
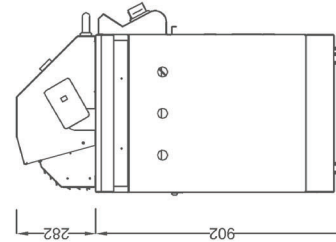


LPG(Standard) / NG\* Compatible:  
\*For NG a conversion kit is required

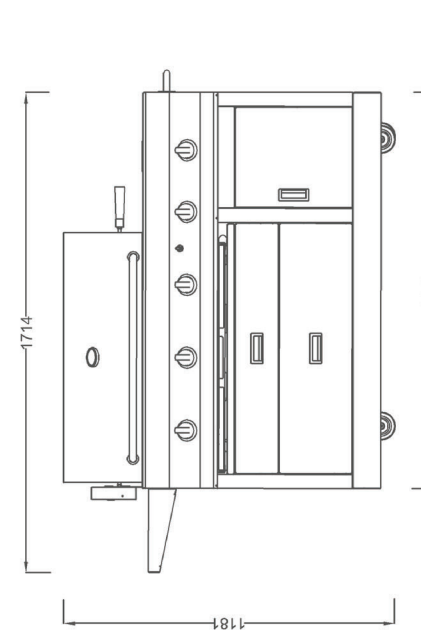


### Optional Braai Accessories:

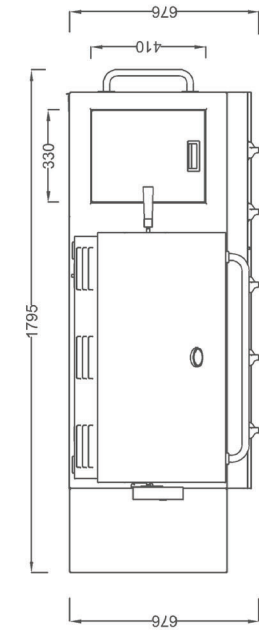
- \*available on request
- Stir Fry Pans 375 & 750
- Teppanyaki Assembly
- Souvlaki Assembly
- Braai Cover



## Product Views & Dimensions:



Front View



Top View

3D View

1



**IMPORTANT NOTICE:** Before using your stainless appliance, remove all the PVC surface protection film and thoroughly clean all surfaces to remove the any adhesive left behind on the metal surface.

Failure to do so may result in surface contamination & oxidation (rust) caused by atmospheric chlorides and/or other elements. Use hot soapy water which does not contain any ammonia, chlorides or chemicals.

For safe operation of this appliance it is essential that the operator read the and follow the contents of the **OWNER'S MANUAL**. For details on the **OWNER'S MANUAL** please scan the **QR Code** found on your appliance.

2

