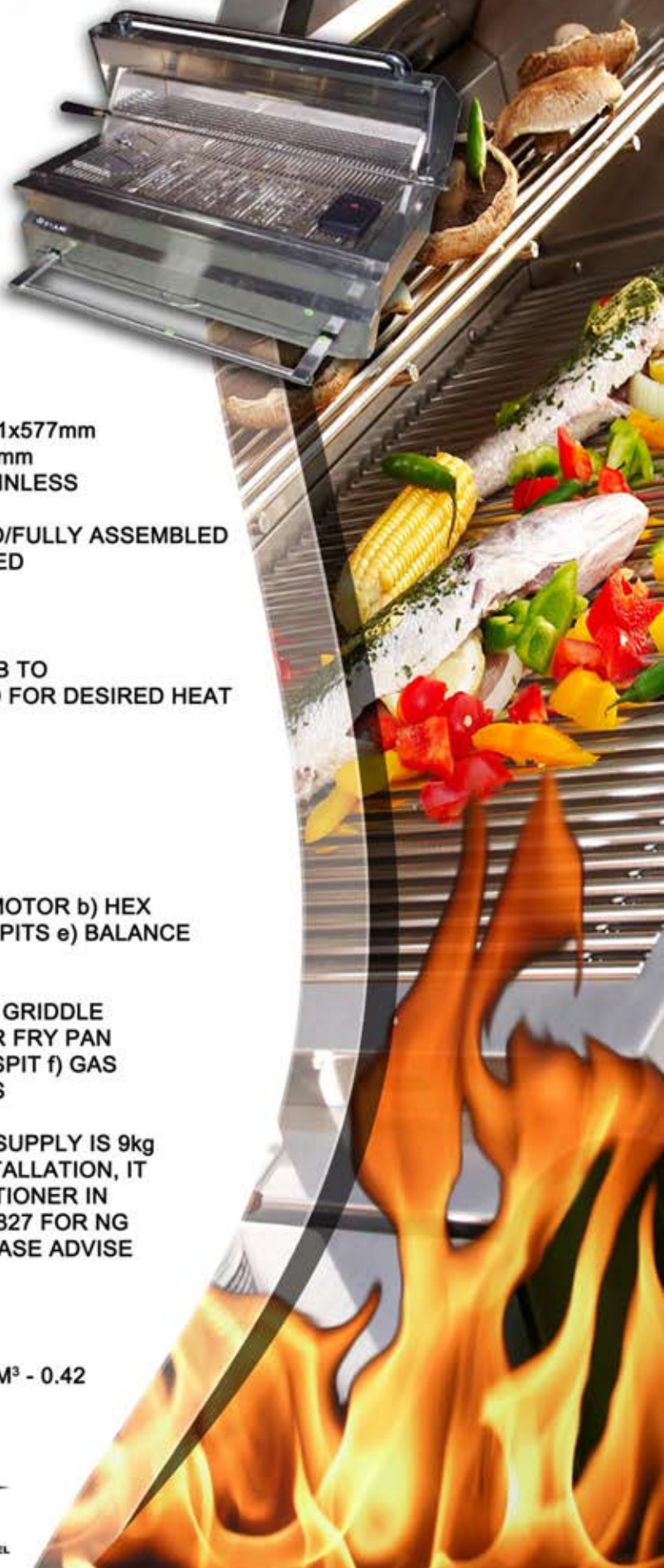




ITEM SYAM CHARCOAL BBQ DOME & SPIT STAINLESS 304 DROP IN

MODEL SYCCU00BDL

STYLE DROP IN CHARCOAL BBQ. DOUBLE LAYER STAINLESS DOME, FULL SIZE GREASE / ASH TRAY WITH EASY READ HEAT INDICATOR AND ADJUSTABLE CHARCOAL TRAY



DESIGN

DIMENSIONS INCLUDING ROTISSERIE (LxWxH)	1138x661x577mm
GRILLING AREA	810x480mm
MATERIAL	304 STAINLESS
WEIGHT	50.0 kg
STRUCTURE	WELDED/FULLY ASSEMBLED
ROTISSERIE KIT (SEE*7)	INCLUDED

FEATURES

*1 UP-DOWN ADJUSTABLE HANDLE WITH LOCKING KNOB TO LIFT OR LOWER CHARCOAL TRAY FROM COOKING GRID FOR DESIRED HEAT

*2 TEMPERATURE GAUGE FOR ROTISSERIE COOKING

*3 FULL REMOVABLE GREASE / ASH TRAY

*4 LATCH FOR LOCKING OF DOME LID

*5 COMPLETE WITH ROTISERIE COMPRISING OF a) DC MOTOR b) HEX ROD c) QUICK CONNECT HANDLE d) 2 x SINGLE SIDED SPITS e) BALANCE COUNTER WEIGHT

*6 OPTIONAL ACCESSORIES a) CAST IRON REVERSIBLE GRIDDLE b) 304 STAINLESS BRAAI PAN c) 304 STAINLESS 375 STIR FRY PAN d) 304 STAINLESS 750 STIR FRY PAN e) DOUBLE SIDED SPIT f) GAS SIDE COOKER (SEE*7) g) STAINLESS CUPBOARD DOORS

*7 FOR ACCESSORIE GAS SIDE COOKER MINIMUM LPG SUPPLY IS 9kg GAS CYLINDER. IF CONNECTED TO A LPG/*NG GAS INSTALLATION, IT MUST BE DONE BY A SAQCC REGISTERED GAS PRACTITIONER IN ACCORDANCE WITH SANS 10087-1 FOR LPG AND SANS 827 FOR NG *NG REQUIRES A NATURAL GAS CONVERSION KIT - PLEASE ADVISE WHEN PURCHASING

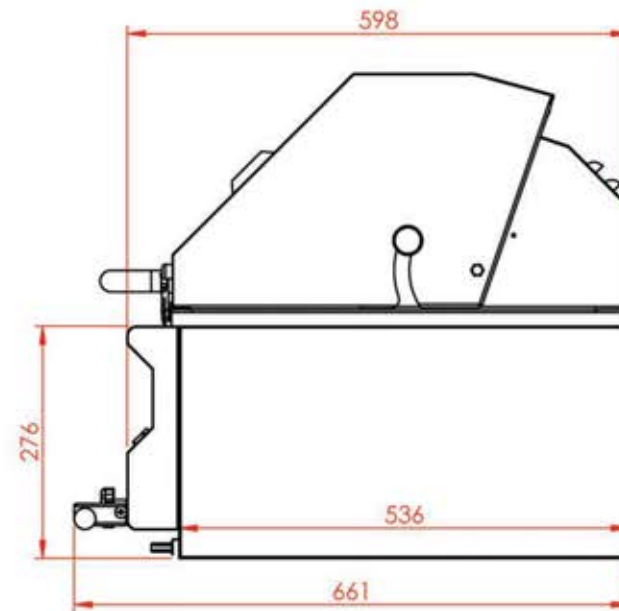
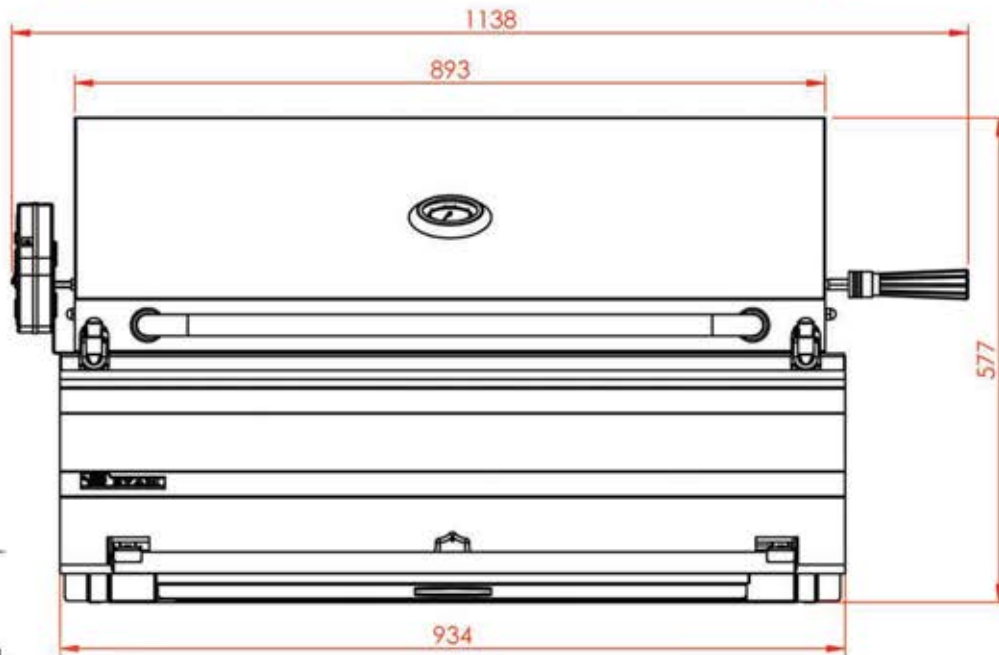
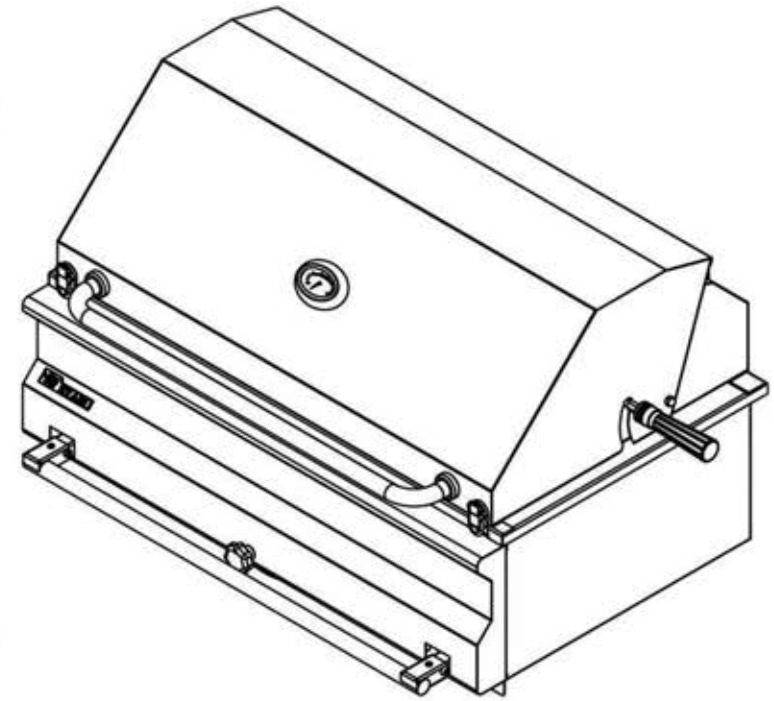
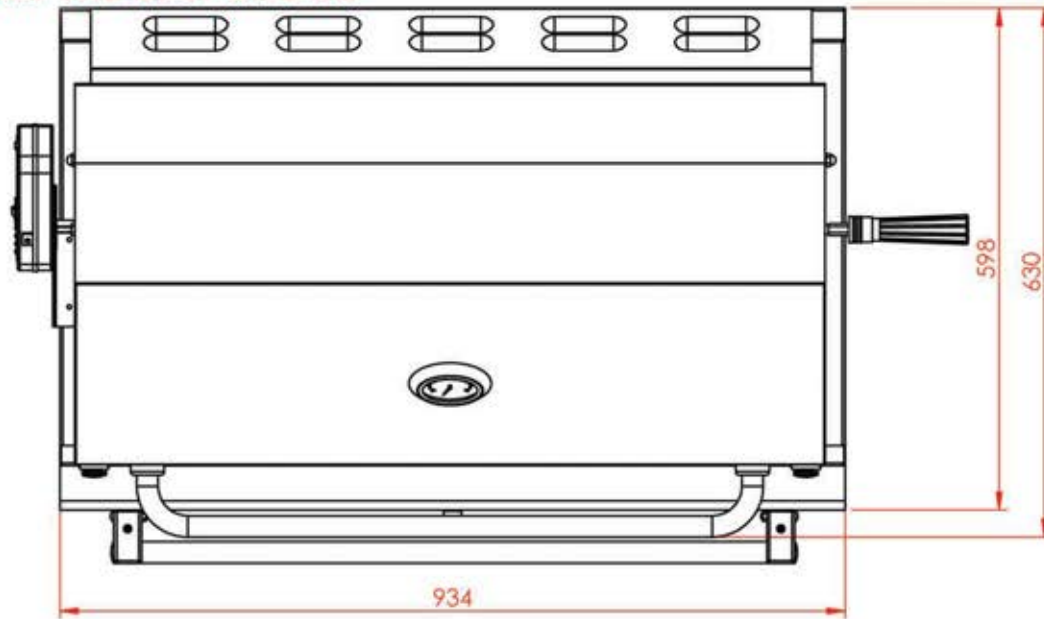
PACKAGING

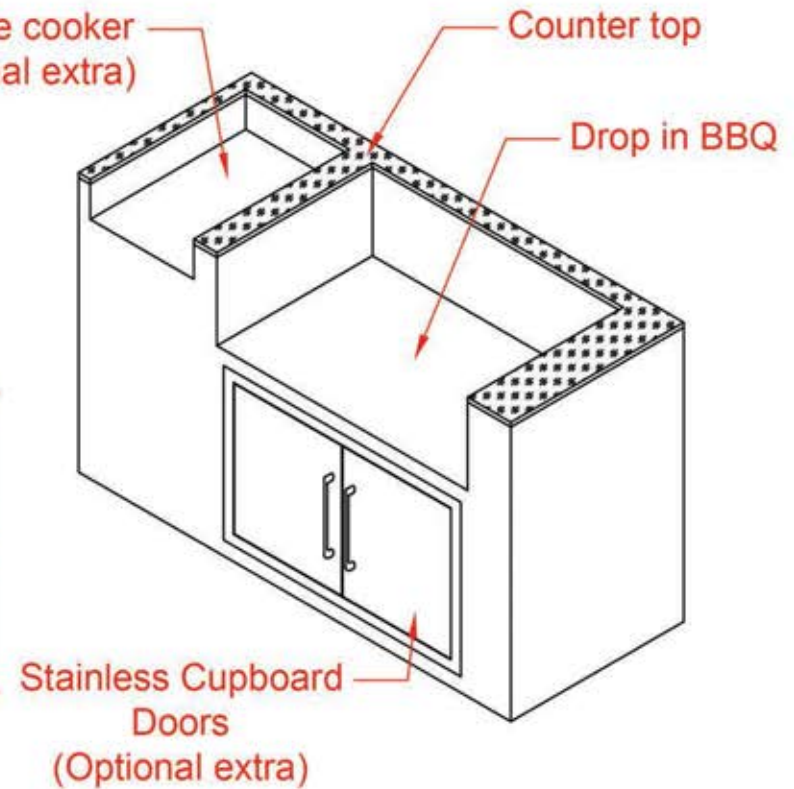
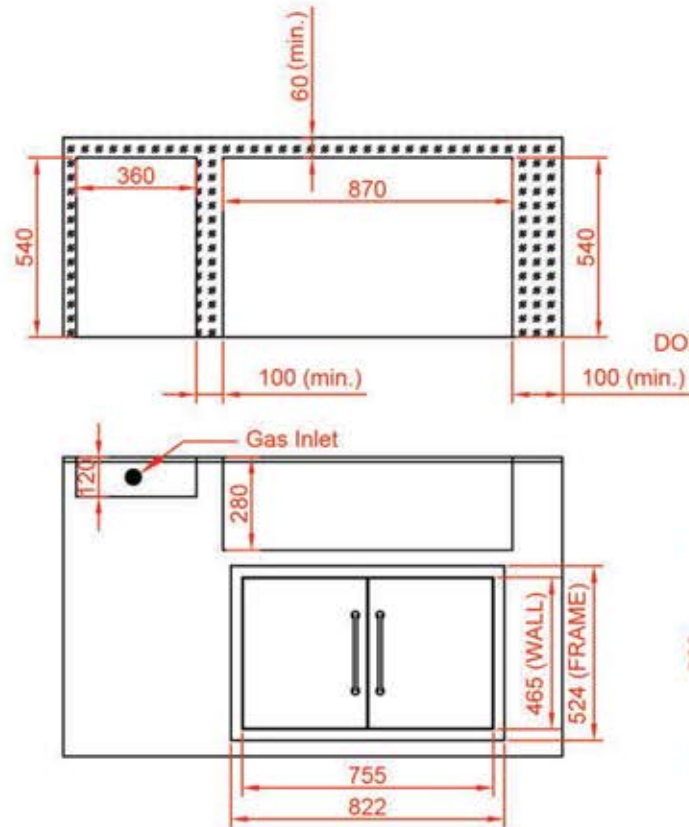
1 BOX 54.7 kg (LxWxH) - 1000x710x600mm M³ - 0.42



REV 2.1







DIMENSIONS IN MM
DROP-IN PLAN

